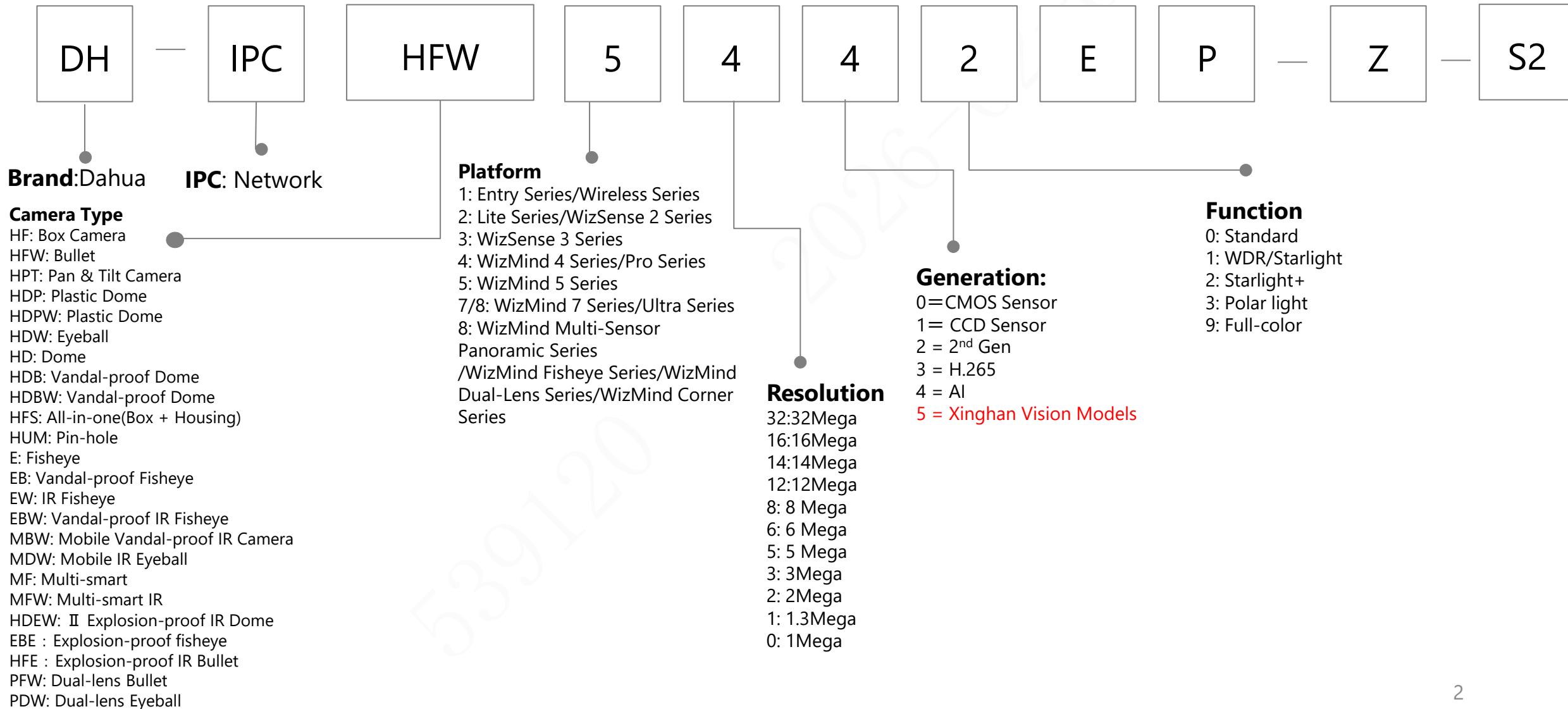


Product Naming Rule v20251208



Page	Product	Page	Product
1	/	54-59	Access Control
2-9	Network Camera (Updated)	60-61	Alarm
10-12	HDCVI Camera (Updated)	62-74	ITS (Intelligent Traffic System)
13-15	PTZ Camera	75-77	ICS (Intelligent Charging Solution)
16-17	Interactive Whiteboards	78	Dahua Memory
18-25	Accessory	79-82	Thermal Camera (Updated)
26-28	Network Recorder (Updated)	83-97	Display & Control
29-32	HDCVI Recorder	98-101	Security Screening Products
33-35	Intelligent Computing	102-107	Mobile Products
36-42	Transmission	108-110	Fire Alarm (Updated)
43-45	MPT	111-116	HYXiPOWER
46	DSS		
47-53	Video Intercom (Updated)		

Network Camera(1/2)



Network Camera(2/2)



Appearance

- C: Bullet/Mini Dome
- E: Bullet / Dome / Eyeball
- E1: Plastic+metal Dome
- TC : Metal Bullet
- EM: Metal Eyeball
- F: Dome / Box Camera / Bullet
- G: Indoor Dome
- H: VF Bullet (with junction box) / Dome(with junction box) / Eyeball
- M/M1: Bullet
- R: Metal Vandal-proof Dome / Metal Bullet/Metal Eyeball
- R1: Dome
- S: Eyeball / Bullet
- S1: S1 Eyeball
- T: Bullet / Eyeball
- T1: T1 Bullet/T1 Eyeball
- T2: T2 Bullet
- TM: Metal Eyeball
- X: Dual-Lens Camera
- DS1 : Non-PoE S1 Bullet
- DV : Non-PoE Eyeball
- DG : Non-PoE G Bullet
- DF : Non-PoE F Bullet

- DK1: Non-PoE K1 Bullet
- DR1: Non-PoE R1 Dome
- QM: Quick Installation Metal Eyeball
- TL: TL Metal Bullet
- HA: Indoor PT A Appearance Camera
- PA: Outdoor PT A Appearance Camera
- Z: PTRZ Dome and Z type Bullet
- Z1: Z1 type Bullet with junction box
- J: Self-Cleaning Bullet

Video format

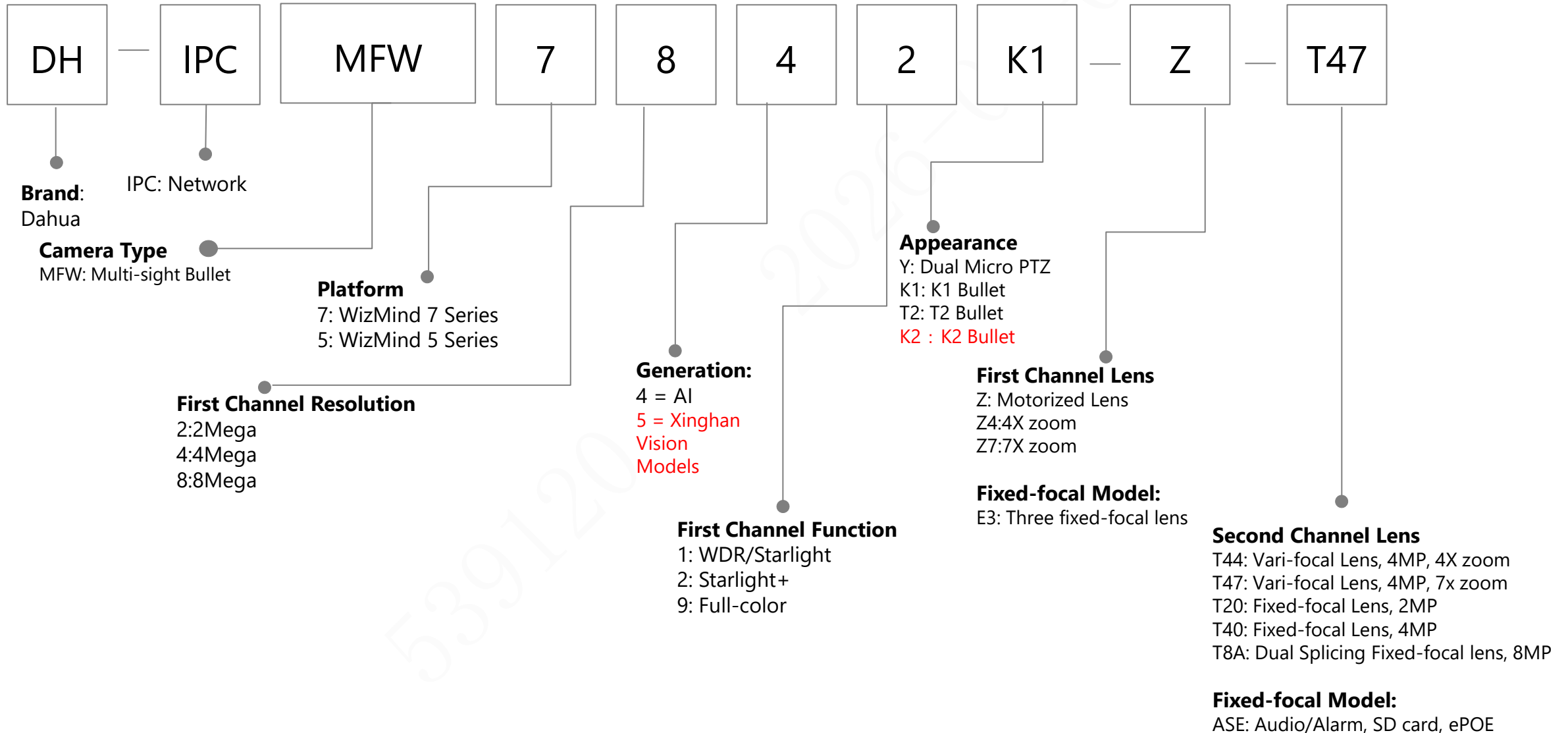
- P: PAL
 - N: NTSC
- (Cancellation of P/N mark for external models of products released after 2021)

Common function:

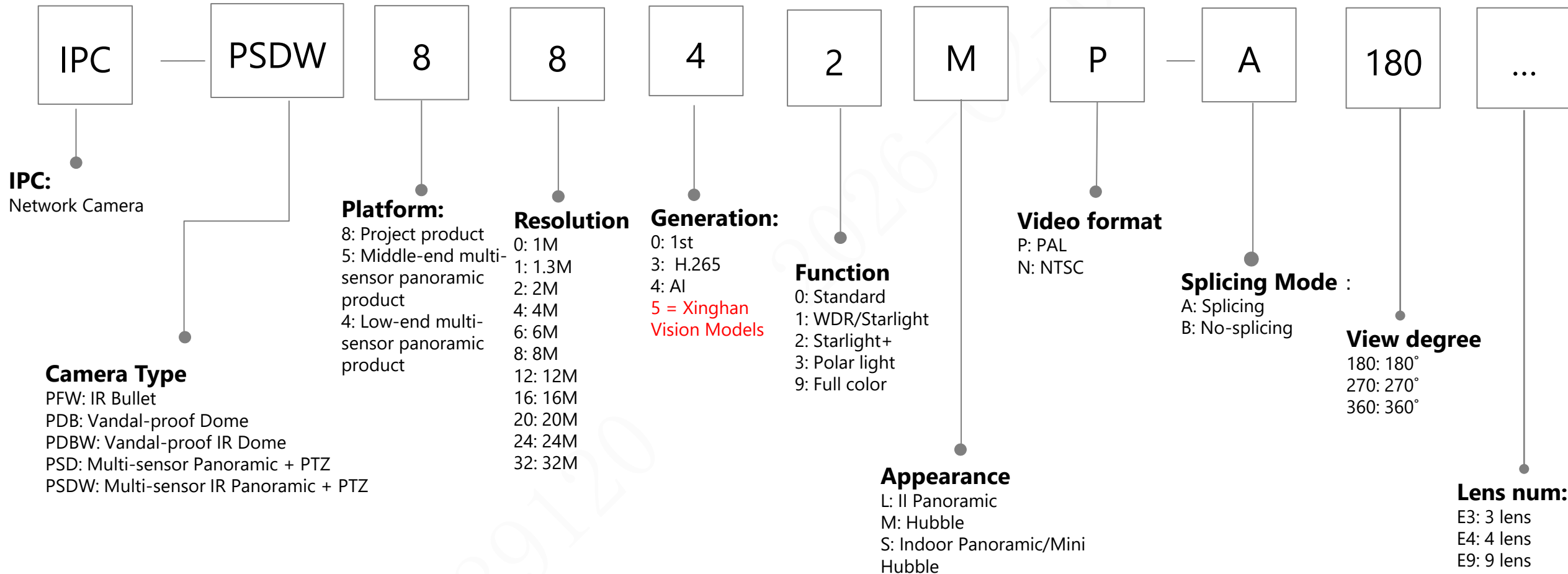
- | | |
|--|---|
| BV: Behaviors | 4G: 4G |
| W: WIFI | WG: WiFi & GPS |
| AW: Audio/Alarm/SD WIFI Camera | FD: Face Detection |
| E: E PoE | FR: Face Recognition |
| M/M12: Mobile | ME: Mobile dome |
| F: Fiber interface | U:USB |
| H: Heater | D2: Dual sensor |
| A: Built-in MIC(only for Entry Series) | IL: Smart Dual Light |
| A2: Dual Audio | P: Wide Angle |
| PT: pan &Tilt | SP: Solar Panel |
| S: SD card | 180: 180° |
| AS: Audio & Alarm & SD Card | E2: 2 lens |
| VF: Vari-focal | E3: 3 lens |
| T: Built-in Mic & Speaker | HDMI: HDMI Port |
| Z: Motorized lens | PRO: WizColor |
| Ix: IR numbers | PROX: WizColor 2.0 |
| NI: Full color, non IR | BAT: Battery |
| LED: White light illumination | MAX: Enhanced version, generally refers to battery capacity |
| Z4/5/12: 4/5/12X zoom | ATC: Anti-corrosion |
| L1/L2/L3/L4/L5: Lens | PD : Parking space status detection |
| MF: High Frame | A: Splicing |
| SFC: Separated Front Cover | B: No-splicing |
| 3D: 3 Dimensional | AC : AC220V power |
| LI: Dual Light Fusion | SC : Self-Cleaning |
| PV: Perimeter Vigilance | |
| 5G: 5G | |

S2 : Second generation
Sn : Nth generation

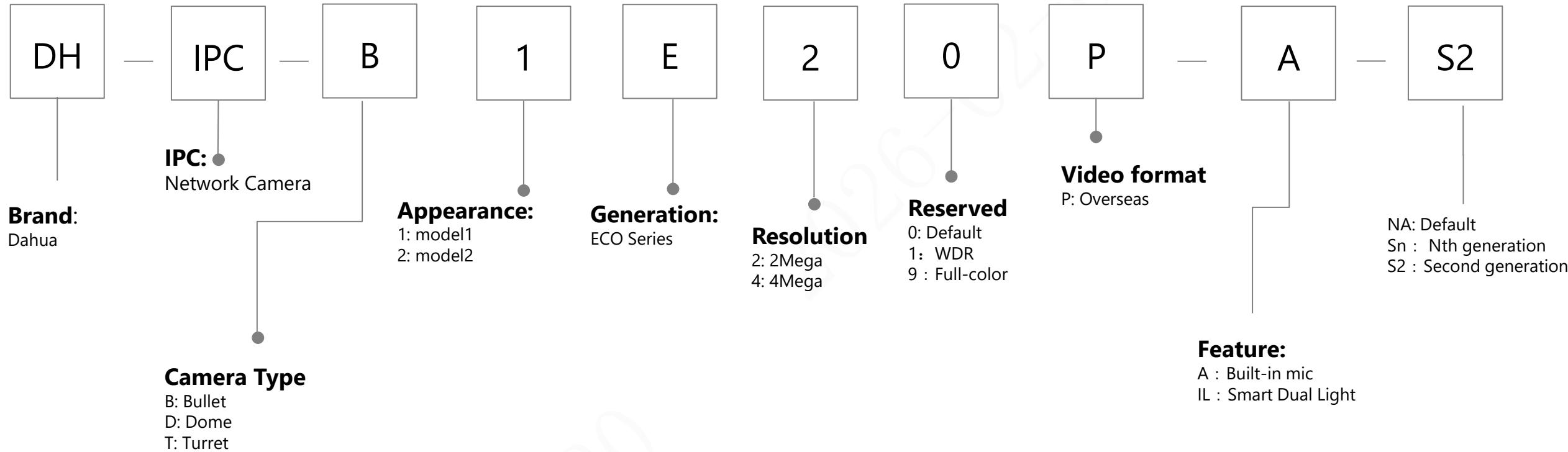
Network Camera(Multi-sight Series)



Network Camera (Panoramic Series)



Network Camera (ECO Series)

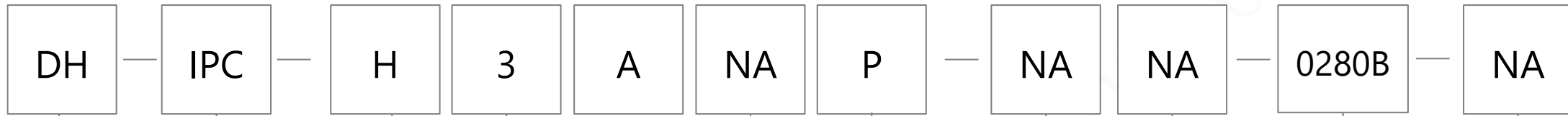


For example: 4MP ECO Smart Dual Light Fixed-focal Bullet Network Camera

Internal Model: DH-IPC-B1E49P-A-IL-0360B-S2

External Model: DH-IPC-B1E49-A-IL

Network Camera(Wireless Series-IT Channel)



Brand:Dahua

IPC: Network

Camera Type

- C: Cube Camera
- H: Indoor PT Camera
- P: Outdoor PT Camera
- T: Turret Camera
- F: Bullet Camera
- D: Dome Camera
- L: Floodlight Camera
- B: Battery Camera
- BF: Battery Bullet Camera
- BH: Battery Indoor PT Camera
- BP: Battery Outdoor PT Camera

Resolution

- 5: 5 Mega
- 4: 4 Mega
- 3: 3 Mega
- 2: 2 Mega

Appearance

- A: A Appearance
- B: B Appearance
- C: C Appearance
-

- NA: Default
- C: Cost down
- E: Enhancement
- S: Supreme

Identification:

P: Overseas

Lens Type:

- NA: Default
- Zx: x times Electric Zoom
- xZx: x Resolution * x times Electric Zoom
- xF: x Resolution Fixed Focus

Common Function:

- NA: Wi-Fi
- LED: warm light
- IL: Smart Dual Light
- 4G: Support 4G
- 5G: Support 5G
- P: PoE
- PV: Perimeter Vigilance
(Battery Camera not add "-PV")

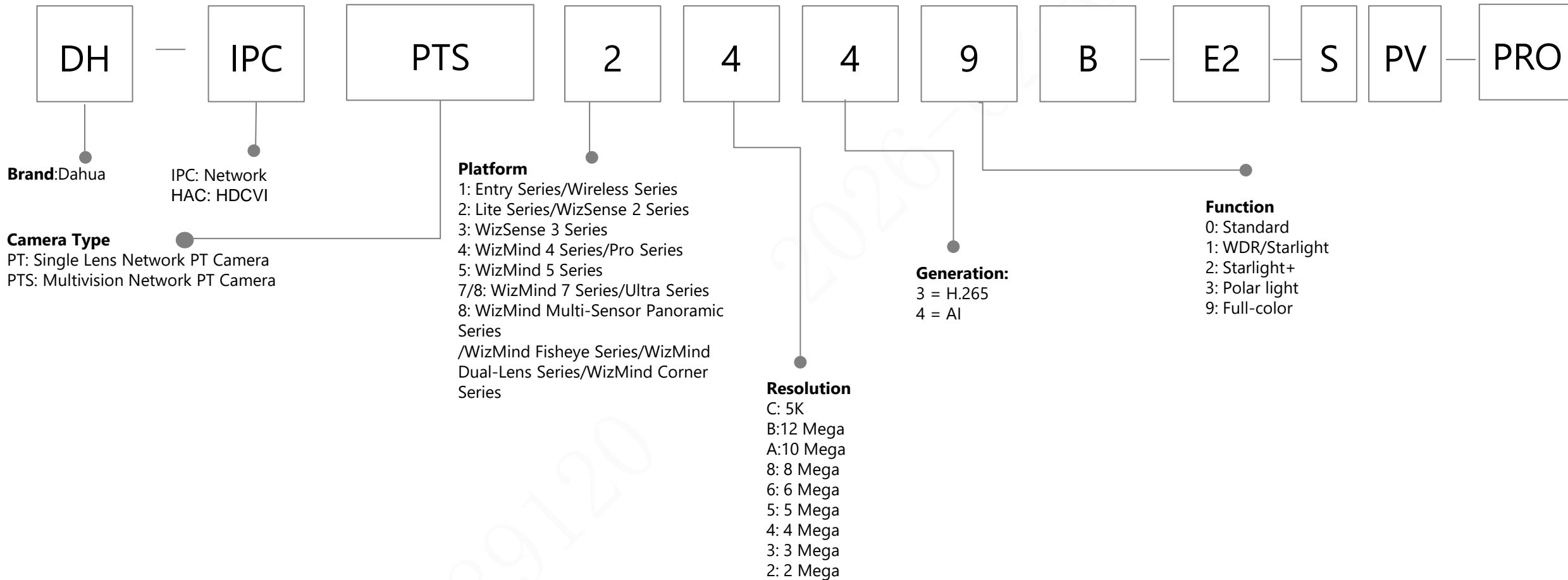
Lens:

- 0210B: 2.1mm
- 0280B: 2.8mm
- 0360B: 3.6mm
- 0600B: 6mm
- 0800B: 8mm

Additional Attribute

- NA: Default
- 1. Hardware generation:
S2 : Second generation
Sn : Nth generation
- 2. Battery type:
MAX= Wide Temperature Battery
XL=Large-Capacity Battery Version
- 3. Color:
Ash
Pearl
- 4. WizColor: PRO
- 5. Region: EUR

Network PT Camera(1/2)



Network PT Camera(2/2)



Appearance

D: Non-PoE Model
 H: Indoor Eyeball
 Ax: Outdoor 1 Series PT camera
 Bx: Outdoor 2 Series PT camera
 Cx: Outdoor 3 Series PT camera

Multi-lens Model:

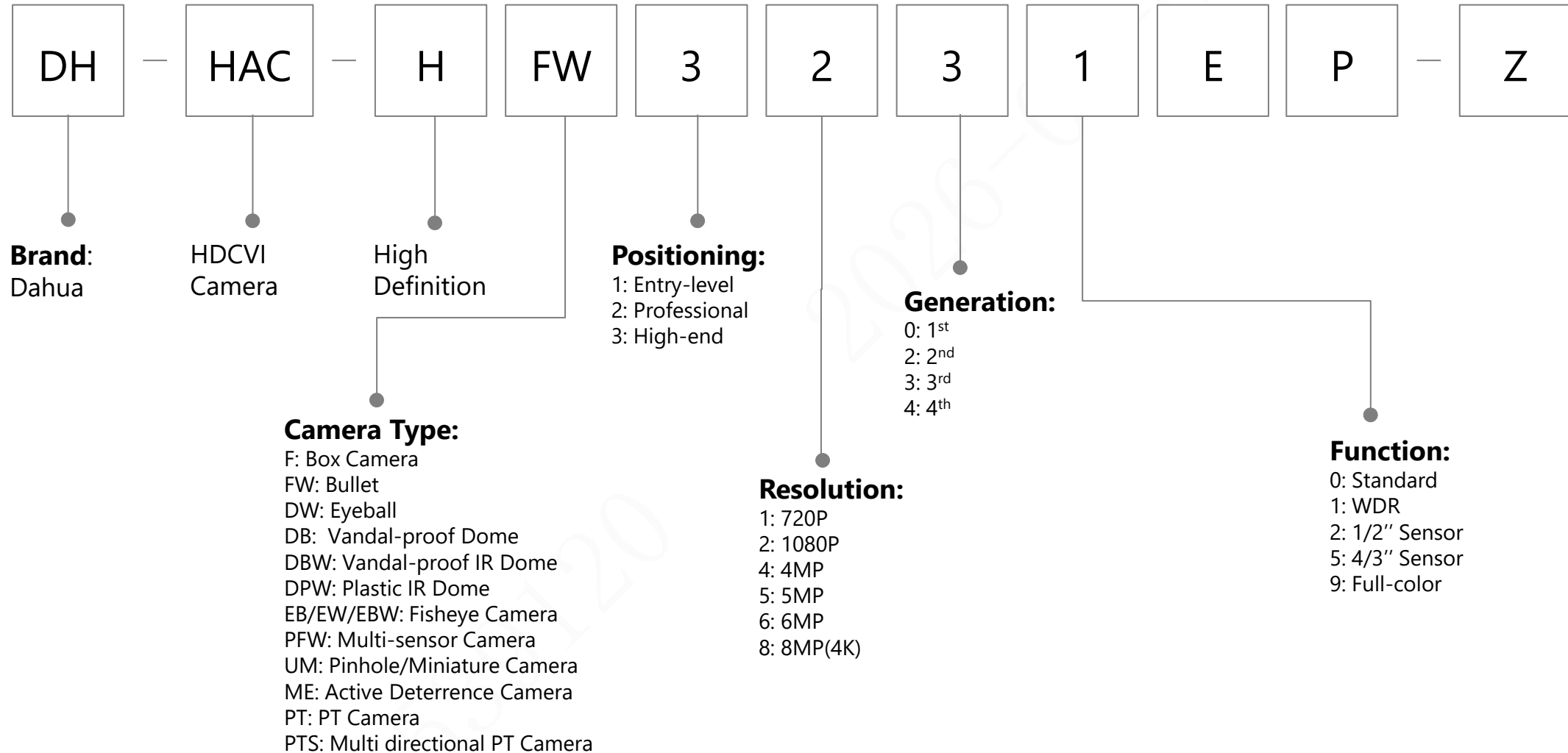
x= panoramic channel resolution
 , If it is the same as the detail channel, it did not show.
 y= total number of panoramic and detail lenses

Common function:

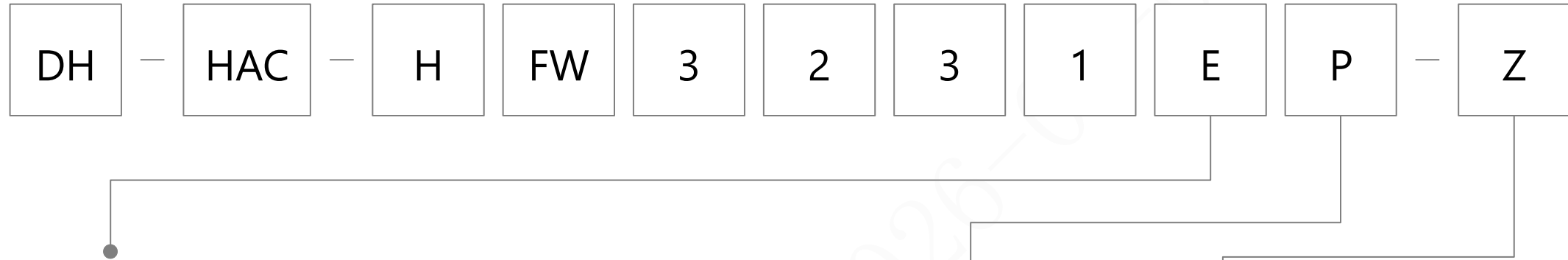
S: SD Card(PT-1 Series); SD Card+Mic(Except PT-1 Series)
 SA: SD Card+Mic (Only for PT-1 Series)
 AS: Audio & Alarm & SD Card
 SW: SD Card+WiFi
 SAW : SD Card+Mic+WiFi
 ST: SD Card+Two way talk(Indoor Type)
 STW: SD Card+Two way talk+WiFi
 STWB20: SD Card+Two way talk+WiFi+20000mAh Battery
 Z: Hybrid Zoom
 4G: 4G
 5G: 5G
 PV: Perimeter Vigilance (Outdoor Type)
 IL: Smart Dual Light
 LED: Warm Light

PRO: WizColor
 BK: Black color model
 Sn : Nth generation
 Pearl : Pearl White
 Ash: Metal grey
 Jordan: Jordan model
 USA: US model
 CAN : Canada model

HDCVI Camera (1/2)



HDCVI Camera (2/2)



Case :

- A : IR Cube/ PT Camera
- B : Active Deterrence Bullet/ Pinhole Camera/PT Camera
- C : Active Deterrence Bullet / Plastic Bullet/PT Camera
- CL: Plastic Bullet
- RL: Plastic Bullet
- CLQ: Quick-to-install Plastic Eyeball
- CM: Metal Bullet
- RM: Metal Bullet
- D: Active Deterrence Bullet/ Metal Bullet
- E : Metal Bullet/Metal Dome
- EA : Metal Dome
- EQ: Active Deterrence Quick-to-install Eyeball
- EM: Metal Eyeball
- F: Metal Wedge Dome
- G : Micro-size Bullet/ Box
- H : TiOC Metal Eyeball

- M : Metal Eyeball
- R: Plastic Bullet/ Plastic Eyeball
- RA: Metal Dome
- R-Z: Metal Bullet/ Metal Dome
- S: Metal Bullet
- T: Metal Bullet/ Metal Eyeball
- T-Z: Metal Bullet/ Metal Eyeball
- T-I8: Large size Metal Bullet
- TE: Metal+Plastic Eyeball
- TH-I4: IR 40m Bullet (Metal Bracket)
- TH-I8: IR 80m Bullet (Metal Bracket)
- TL: Bullet/Eyeball
- TLM: Metal Bracket Bullet
- TM : Metal Bullet
- X: Wizcolor Bullet/Eyeball
- TQ: Quick-to-install Eyeball (82mm)
- TLQ: Quick-to-install Eyeball (69mm)
- TLMQ: Quick-to-install Metal Eyeball(69mm)
- TMQ: Quick-to-install Metal Eyeball (82mm)
- TRQ: Quick-to-install Eyeball (Without IP67) (69mm)

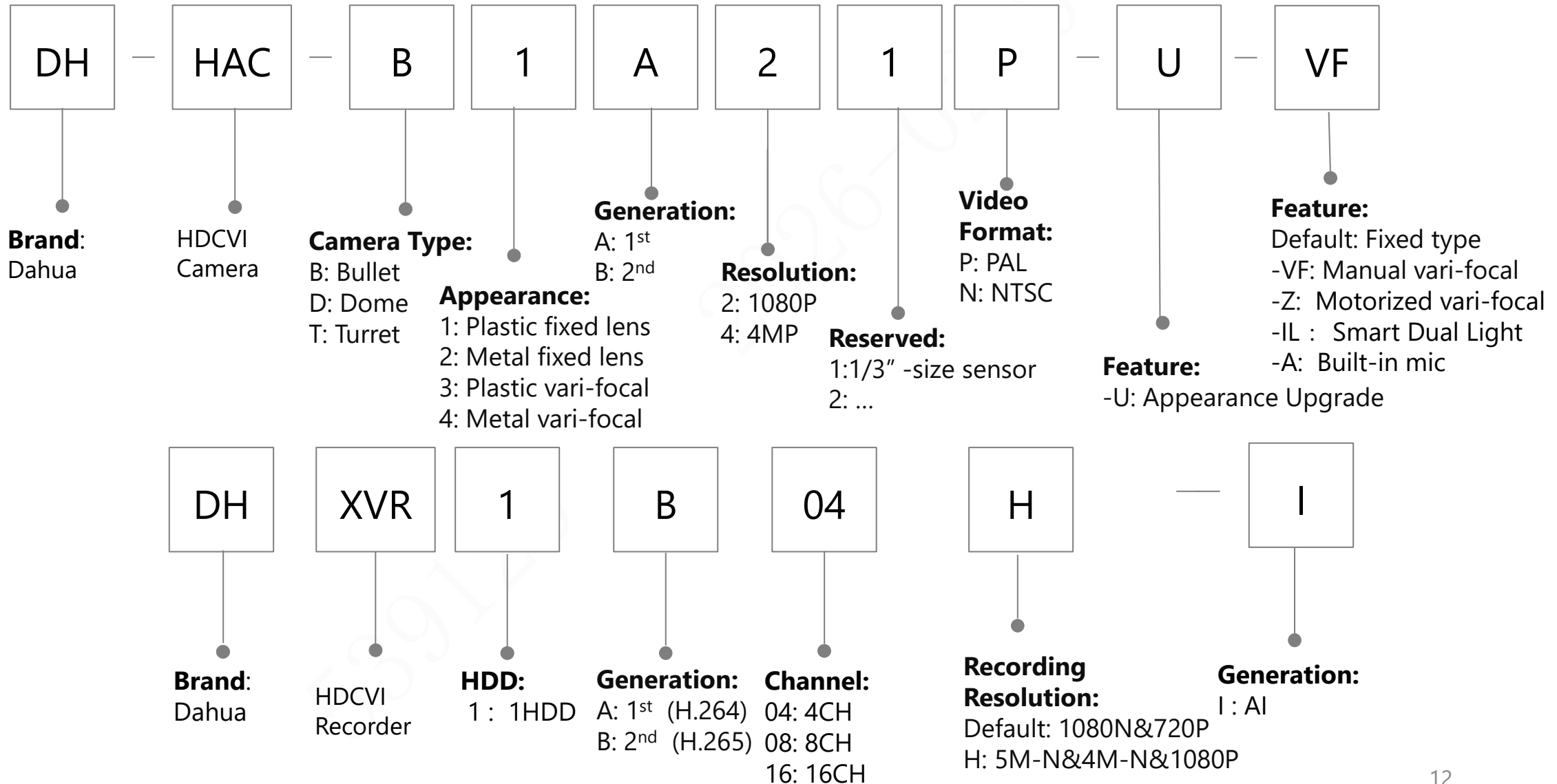
Video Format:

- P: PAL
- N: NTSC

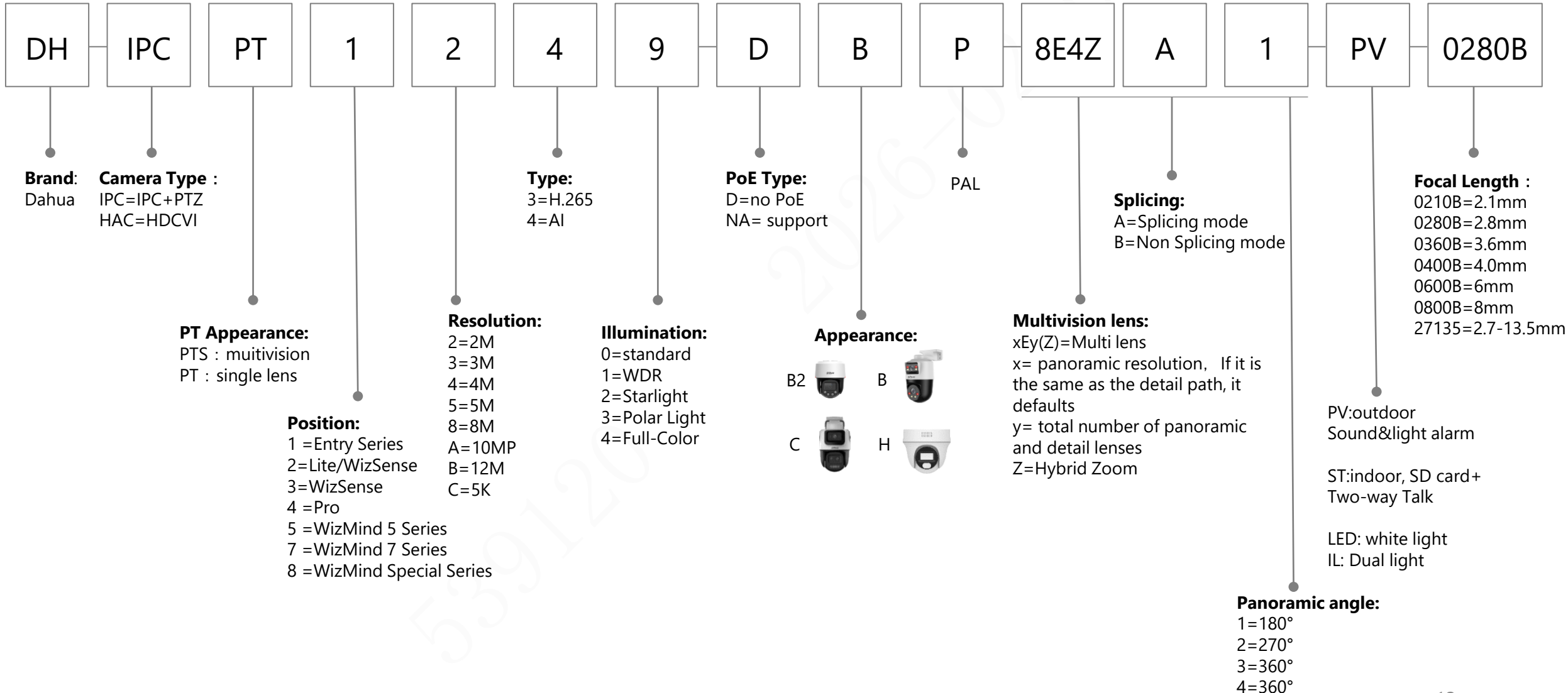
Feature:

- VF: Manual vari-focal
- Z: Motorized vari-focal
- H: With built-in heater
- T: Two-way Talk
- A: Built-in mic
- DP: Dual-power (AC24V/DC12V)
- POC: Power over coax
- LED: White light
- DIP: Dip switch
- VP: Vandal proof
- TH: Temperature & Humidity
- IL : Smart Dual Light
- E2: Dual lens
- E2Z: Dual lens hybrid vari-focal
- W: Wireless
- IRE6: IR 60m
- PIR: PIR Camera
- L: White Light
- S: Siren
- LS: White Light & Siren
- PV: TiOC Camera

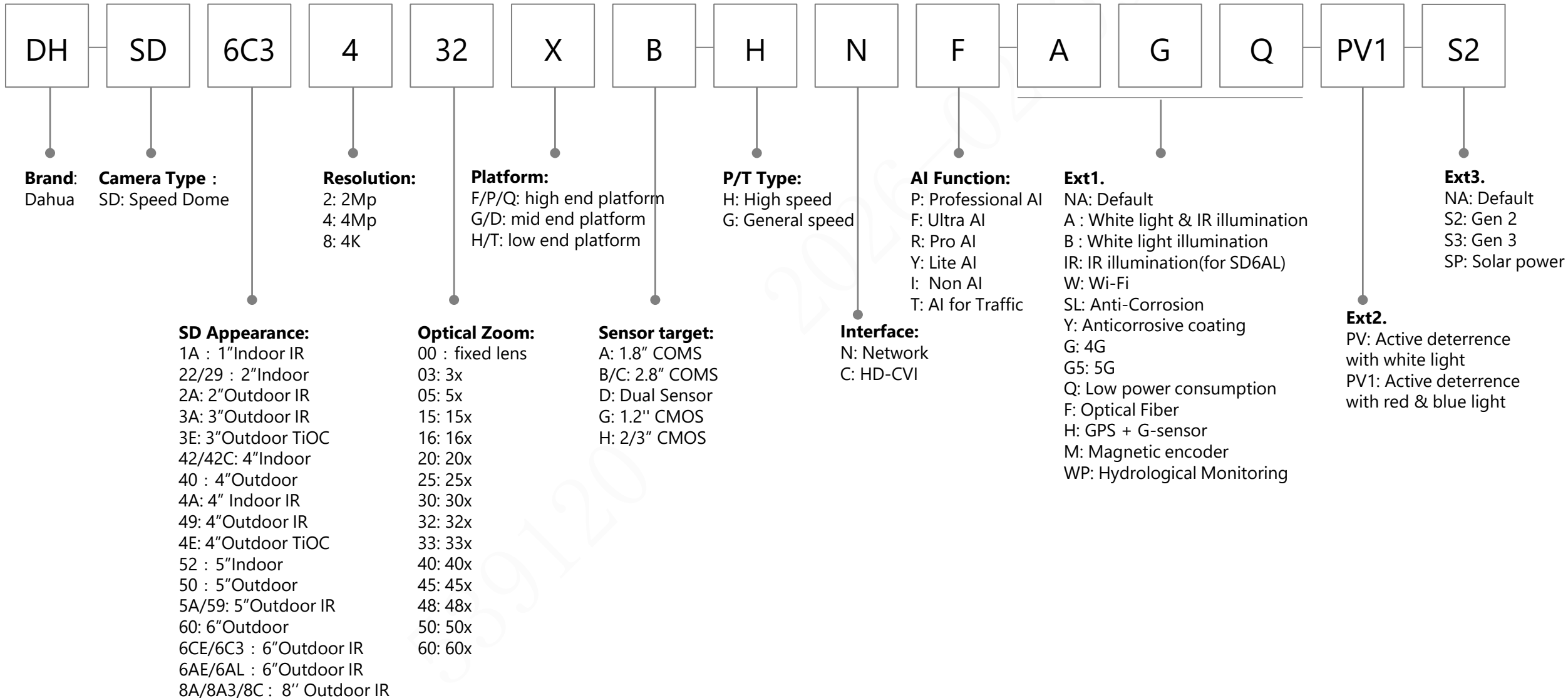
HDCVI Cooper Series (Camera & Recorder)



PT Series



Speed Dome



PTZ/Explosion Series & Multi-sensor Series



PTZ: Positioning System
ECA: Explosion camera

Camera Type :



PTZ Appearance

ECA Appearance

H: High speed
G: General speed
P/T Type:

N: Network
C: HD-CVI
Interface:

F: Ultra AI
R: Pro AI
AI Function:

DH

Brand:
Dahua

SDT

Camera Type :
SDT: Multi-sensor PTZ

8X

SDT Appearance



4

PTZ Camera Feature

Resolution
2: 2Mp
4: 4Mp
5: 5Mp
8: 4K

Optical Zoom:
00: fixed lens
03: 3x
04: 4x
12: 12x
16: 16x
25: 25x
30: 30x
31: 31x
32: 32x
33: 33x
40: 40x
45: 45x
48: 48x
50: 50x
60: 60x

40

H

N

F

4

Z

5

Panorama Camera Feature

Resolution
2: 2Mp
4: 4Mp
5: 5Mp
8: 4K

Lens Type
Z: Zoom
F: Fixed lens

Optical Zoom:
4: 4x
5: 5x

Q

Platform:

F/P/Q: high end platform
G/D: mid end platform
H/T: low end platform

PTZ Camera Sensor Size:

A: 1/1.8"
B: 1/2.8"
C: 1/2.8"
D: Dual-sensor
F: 4/3"
G: 1/1.2"
H: 2/3"
I: 1/2.9"

A

Ext1. (NA: Default)

A : White light & IR illumination
B : White light illumination
IR: IR illumination(for SD6AL)
W: Wi-Fi
SL: Anti-Corrosion
Y: Anticorrosive coating
G: 4G
G5: 5G
Q: Low power consumption
F: Optical Fiber
H: GPS + G-sensor
M: Automatic Recovery of Position
L: Laser
JG: Traffic

A

Ext 2. (NA: Default)

PV: Active deterrence with white light
PV1: Active deterrence with red & blue light

PV1

1050

Fixed Zoom:

0118=1.18mm
0142=1.42mm
0185=1.85mm
0280=2.8mm
0360=3.6mm
0600=6mm
0800=8mm
1200=12mm
1600=16mm
2500=25mm

Optical Zoom:

2712=2.7-12mm
0722=7-22mm
4747=4.7-47mm
3711=3.7-11mm
27135=2.7-13.5mm
5364=5.3-64mm
0735=7-35mm

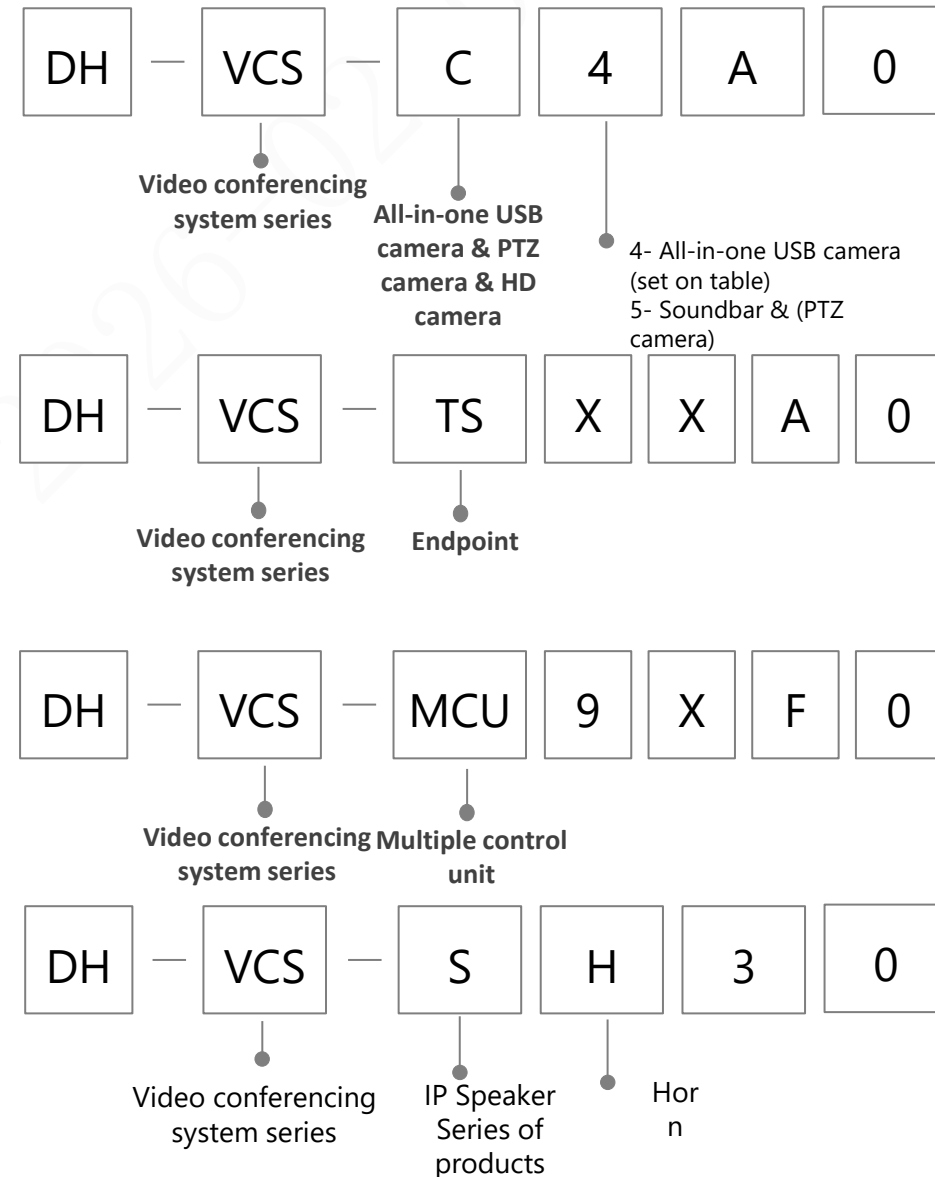
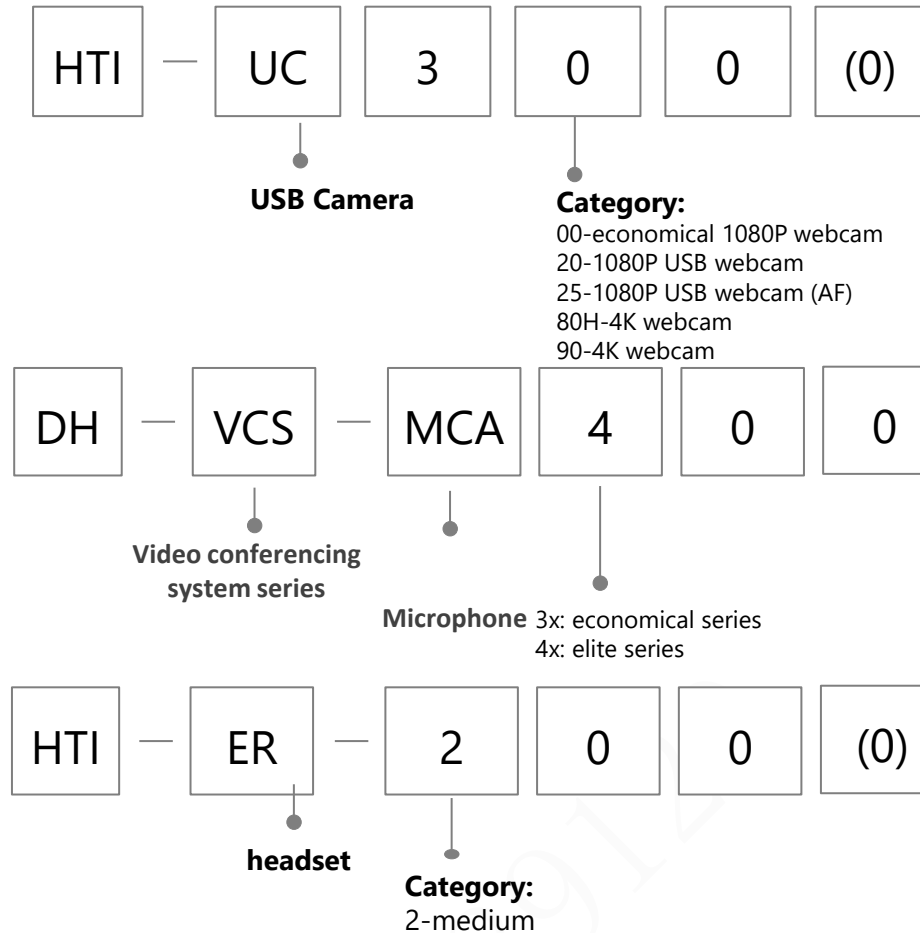
Interactive Whiteboards



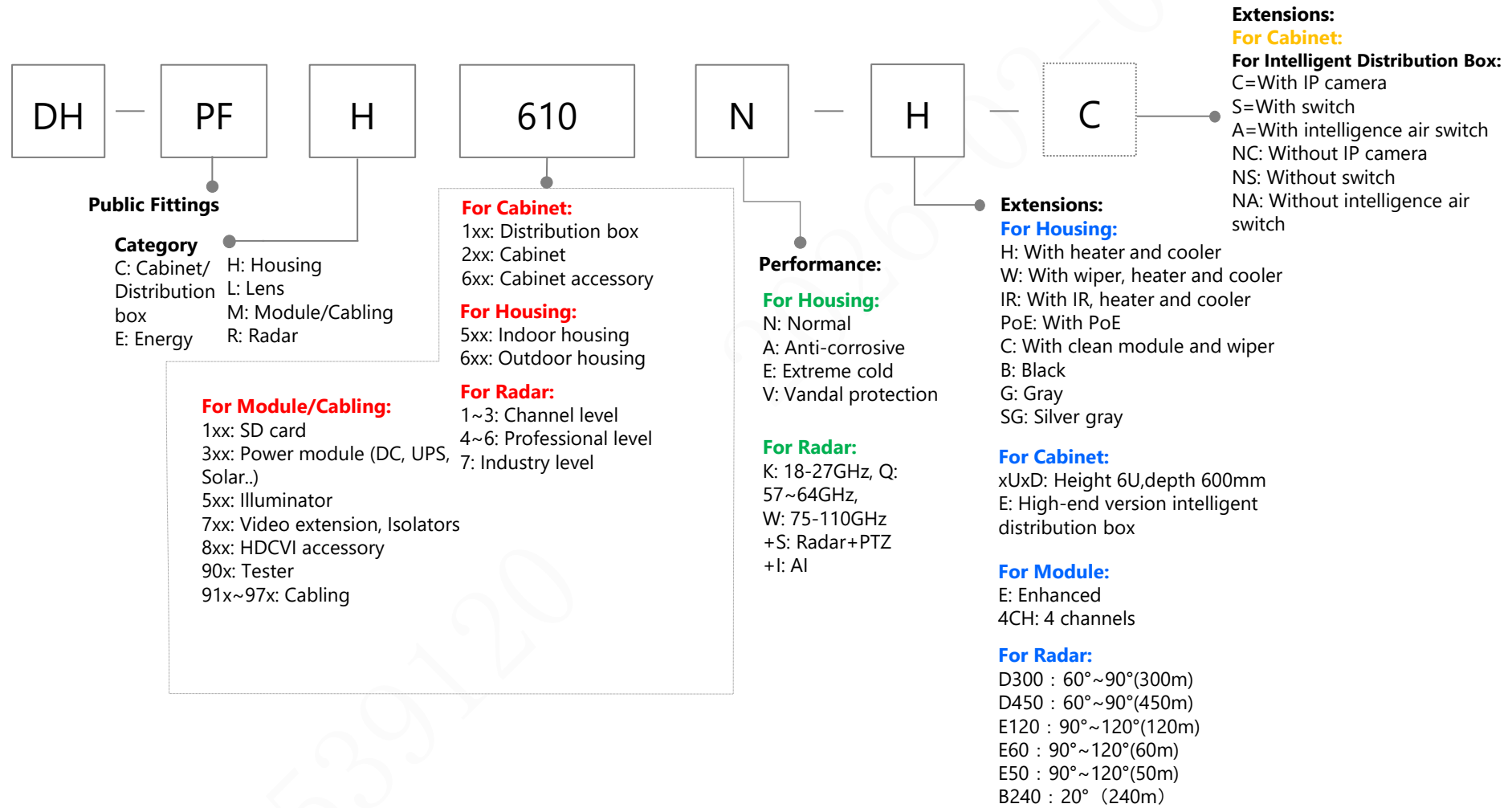
DeepHub Interactive Display External Model Naming Rule

	Required	Required	Required	Required	Required		Required	Required	Required	Required	Required	Optional	Required				
Field number	①	②	③	④	⑤		⑥	⑦	⑧	⑨	⑩	⑪	⑫				
Identification	Dahua identifier	Product line identifier	Sales Type	Product Form Factor	Size label		Market positioning	Camera	Series Identifier 2	Chip Model	Touch input method	Series positioning	Iteration Version				
Instance	DH	-	L	C	H	-	86	-	S	T	4	0	0	-	U	-	S2
DeepHub Interactive Display Explanation	DH= Dahua brand DHI= Overseas Dahua brand N= Domestic neutral Default= Overseas neutral	L= LCD all-in-one machine E=LED all-in-one machine	C: Channel-oriented P: Project-oriented E: E-commerce	H: Landscape V: Portrait	55=Dimension 55 inches 65=Dimension 65 inches 75=Dimension 75 inches 85=Dimension 85 inches 86=Dimension 86 inches 98=Dimension 98 inches 110=Dimension 110 inches 138=Dimension 138 inches		S=Education H=Smart Blackboard M=Conference	T: No camera C: With camera	4=4K 8=8K	0~1: Basic model 2~5: Mid-range 6~7: High-end 8~9: Flagship	0: Infrared Zero Lamination 1: Capacitance Full Lamination 2: Capacitance Frame Lamination 3: Capacitance Zero Lamination 4: Infrared Frame Lamination 6: Infrared Full Lamination	U: Ultimate P: Professional/Pro C: Classic B: Basic L: lite/Lite+	Empty: First generation S2: Second generation S3: Third generation ...				
Typical example	DH-LCH86-ST400-U																

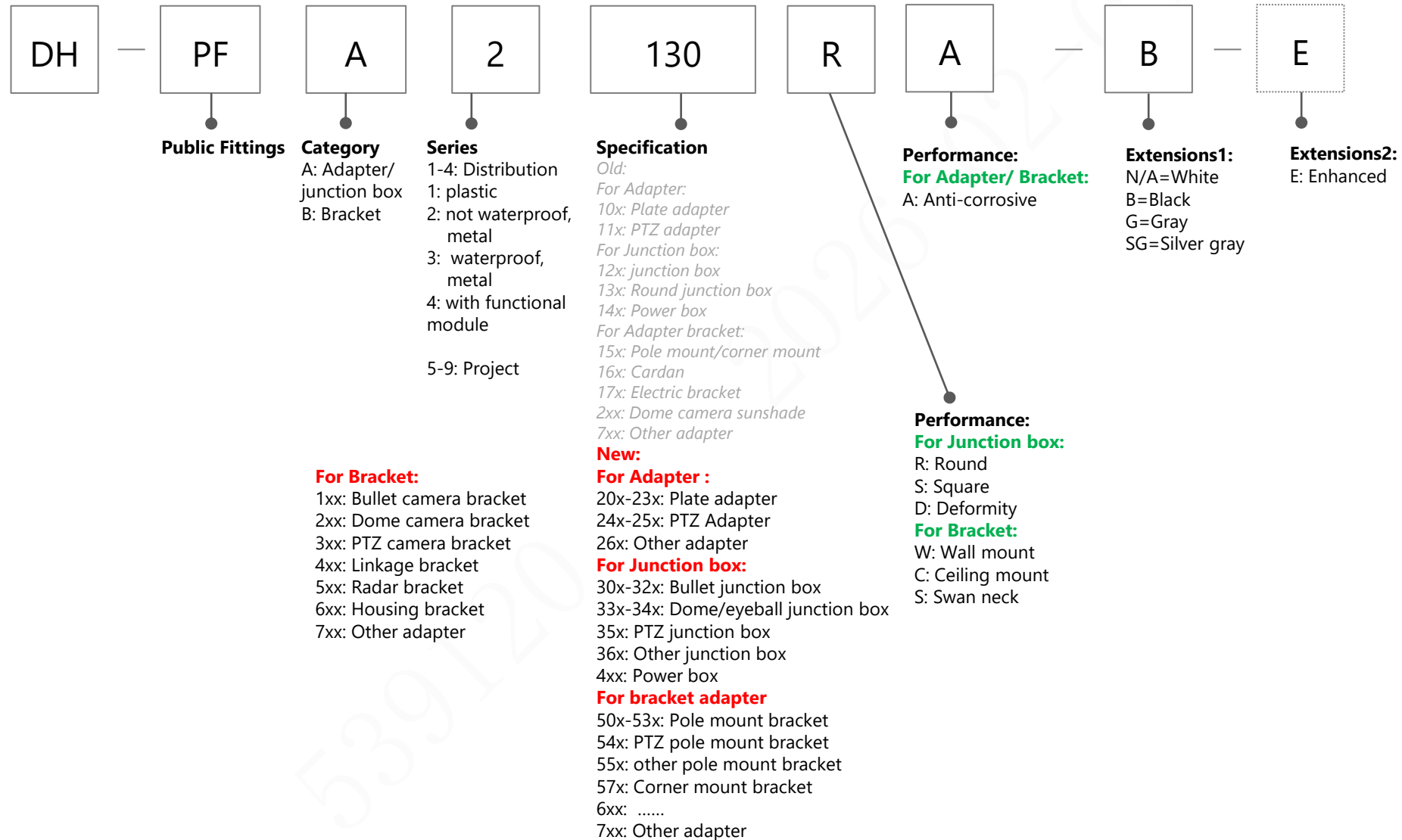
Video Conferencing



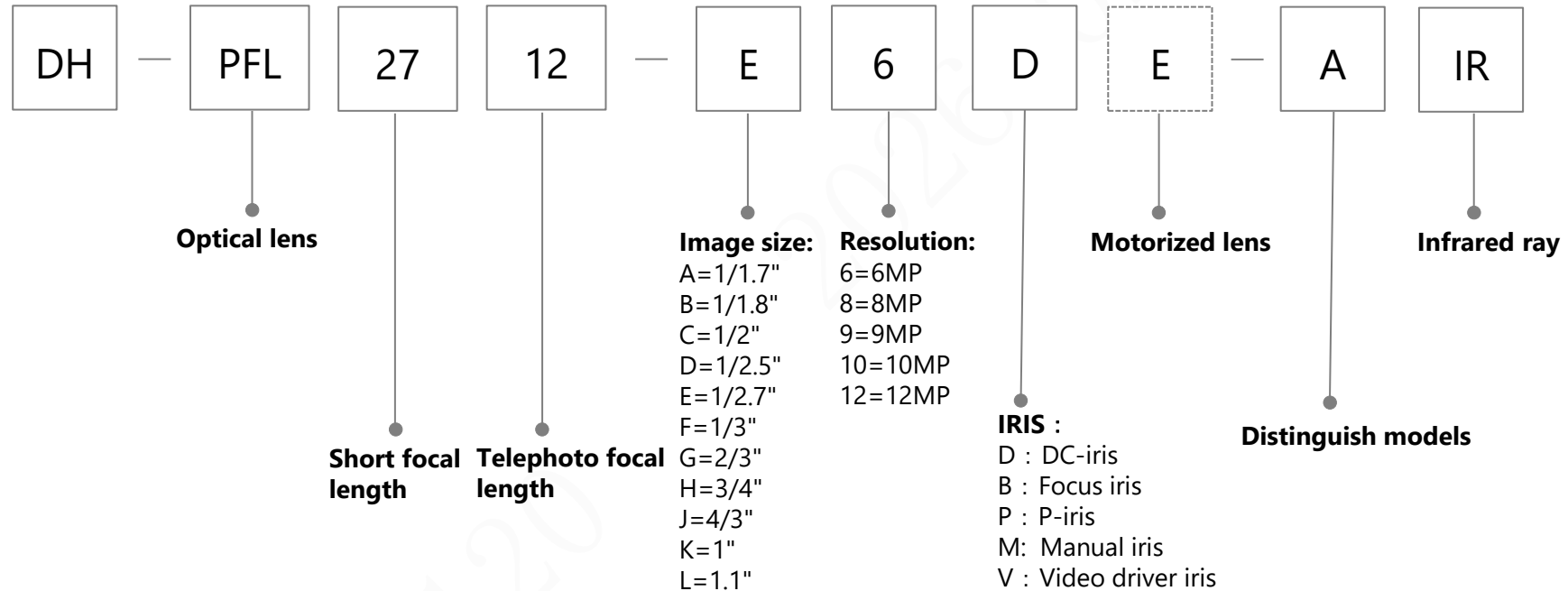
Accessory



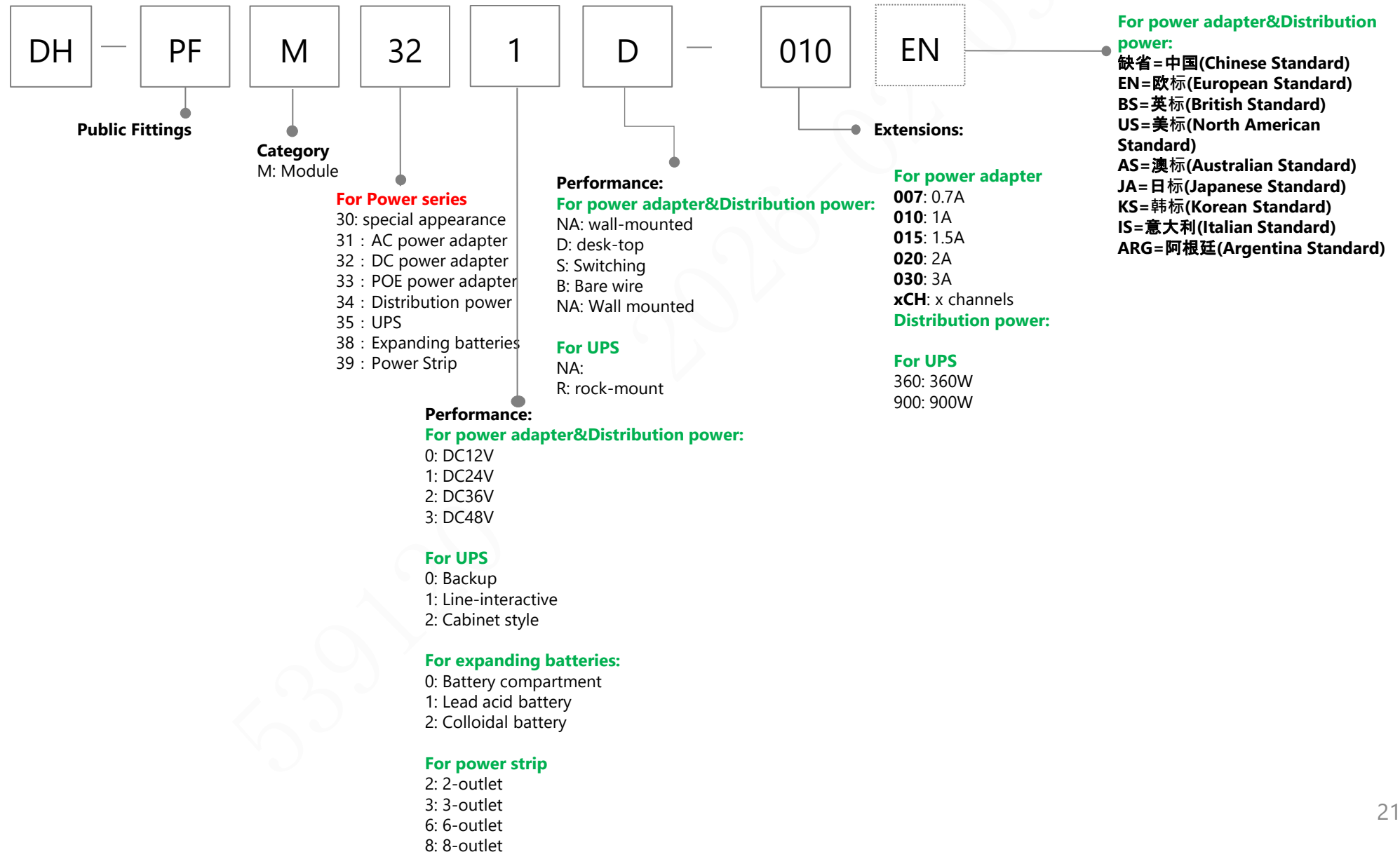
Accessory-Camera mount



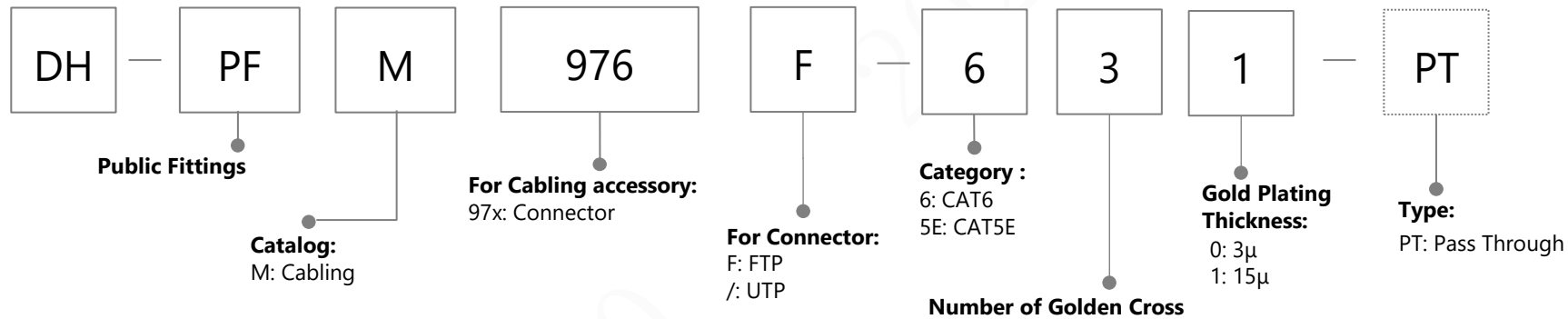
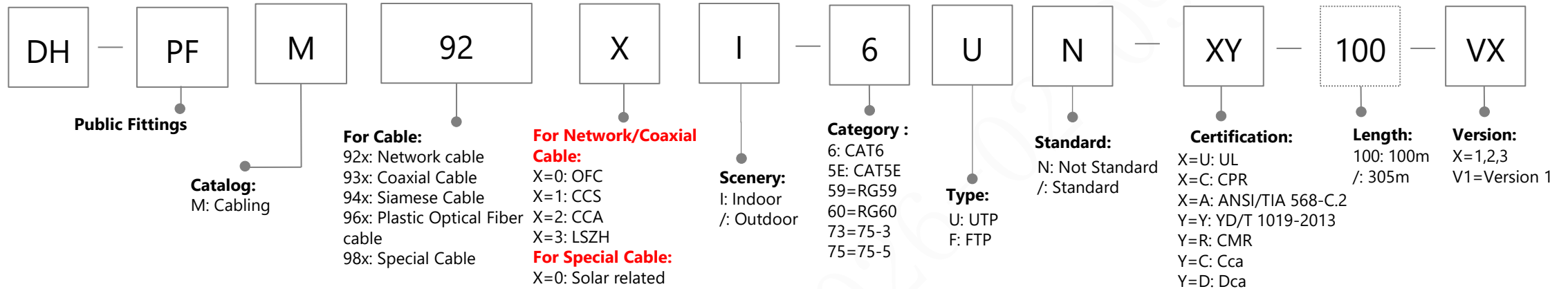
Accessory-Lens



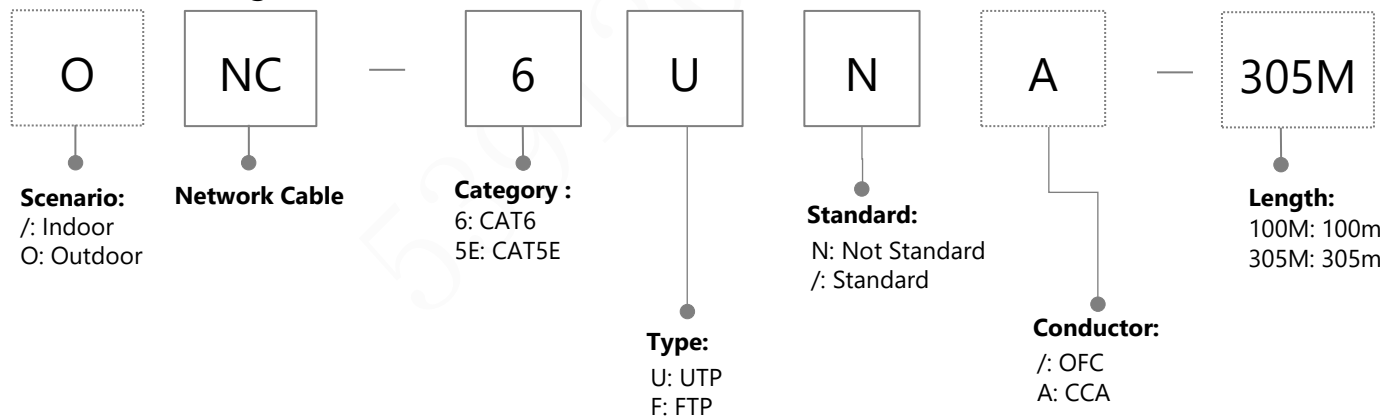
Accessory-power



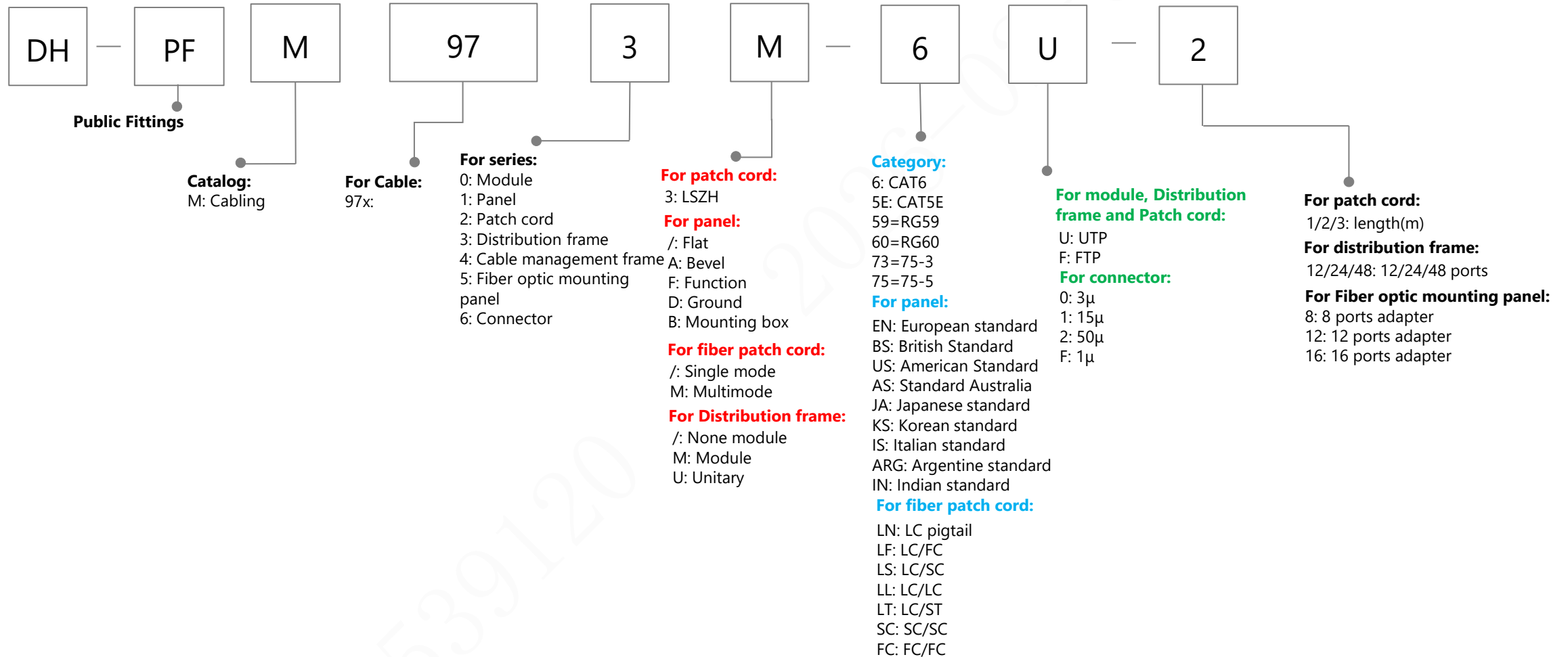
Accessory-Cabling



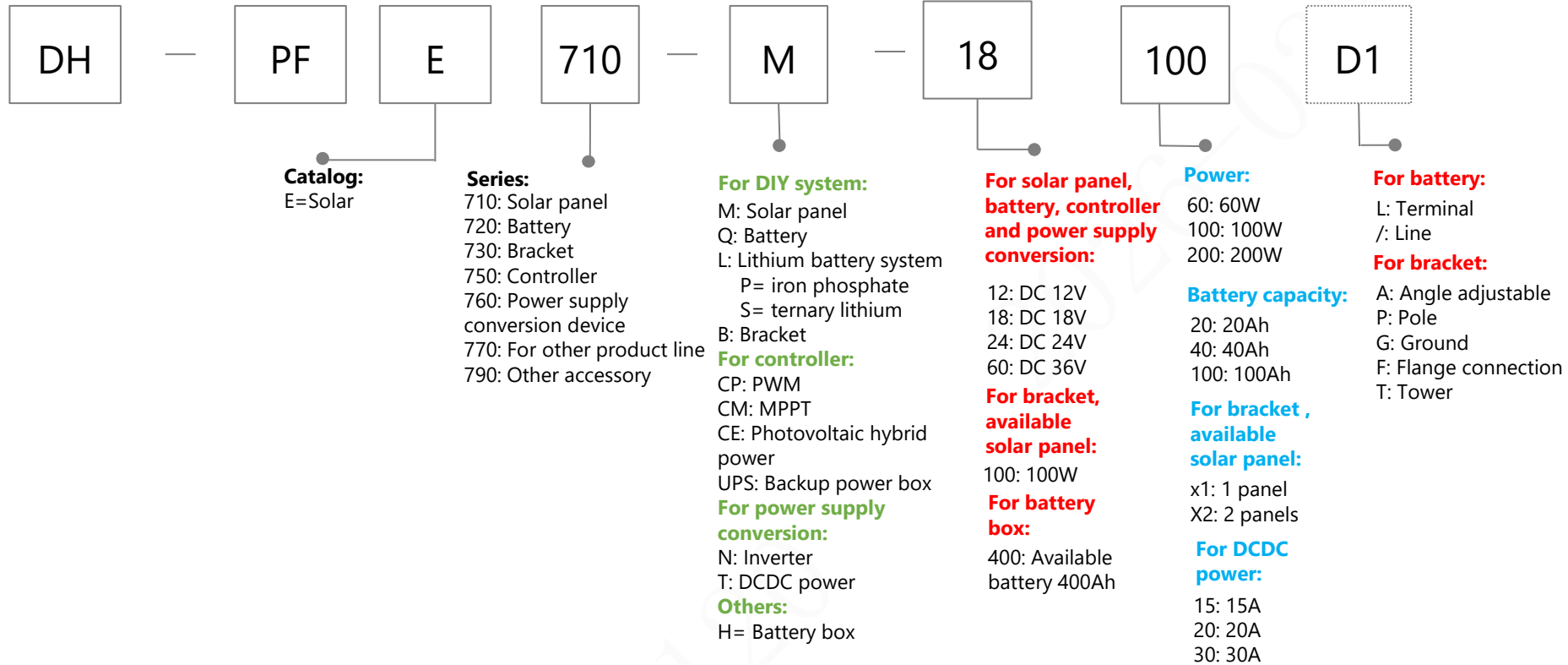
General Cabling-Network Cable



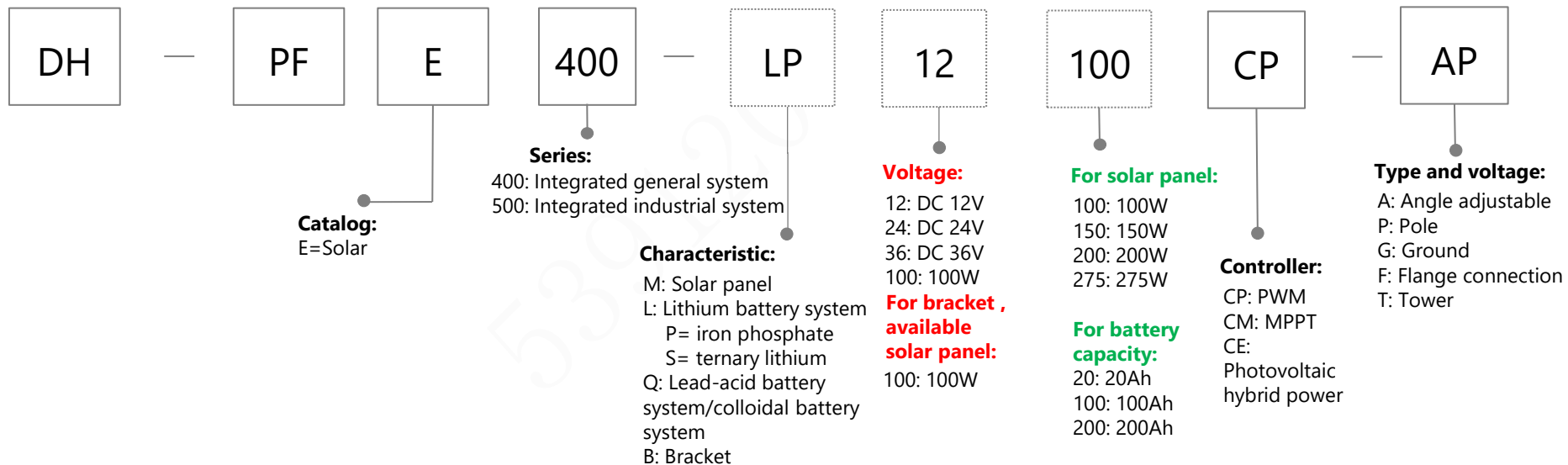
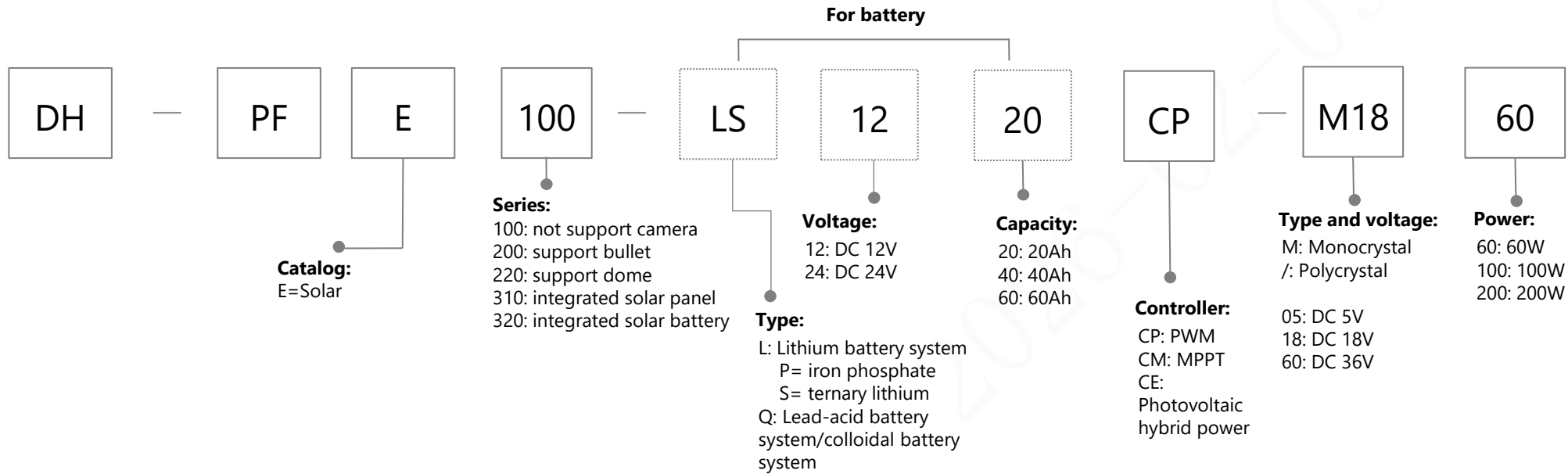
Accessory-Cabling



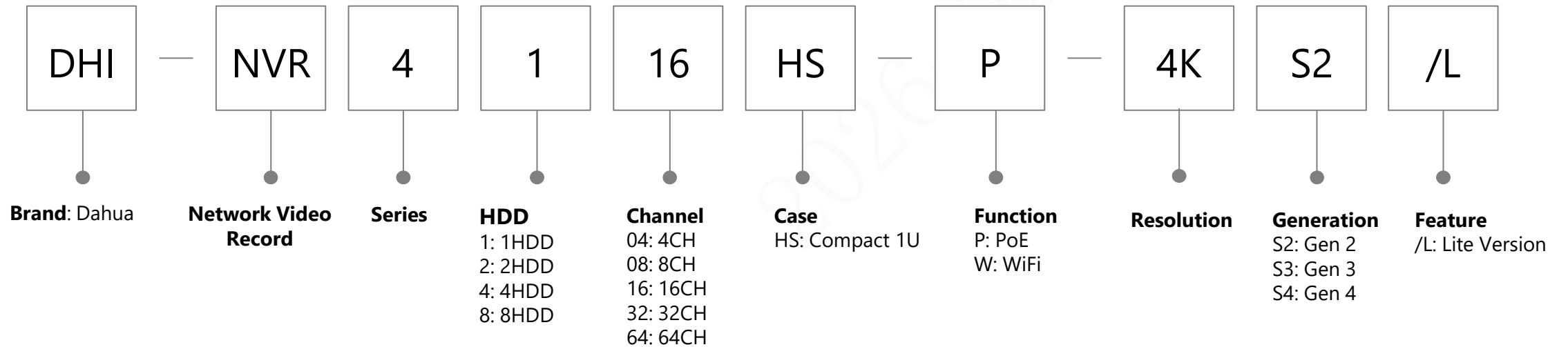
Accessory-Solar



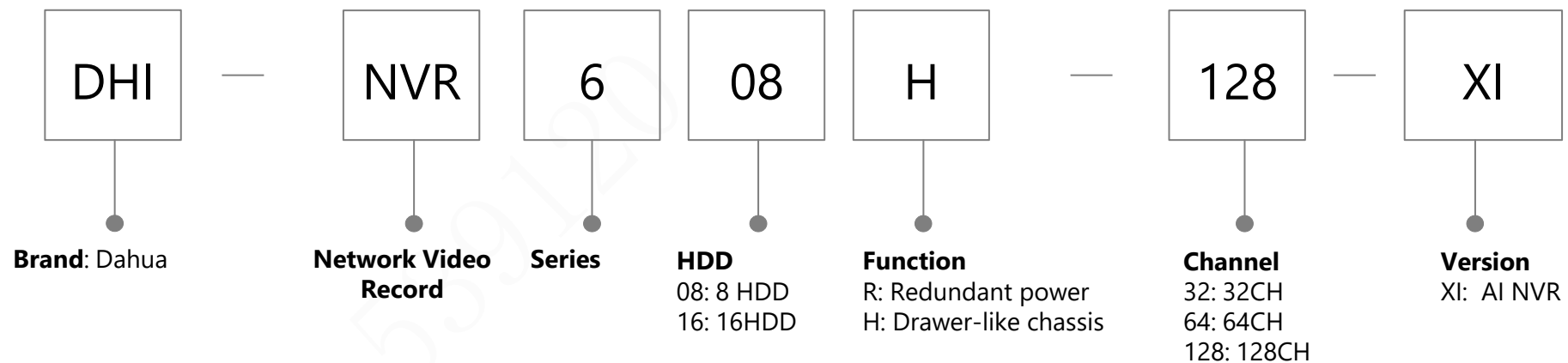
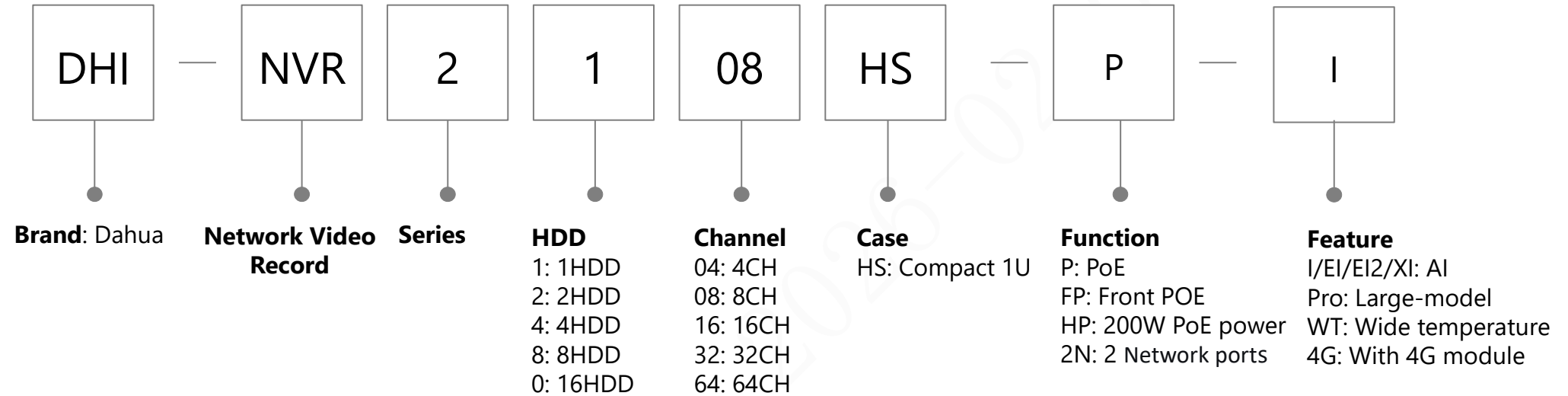
Accessory-Solar



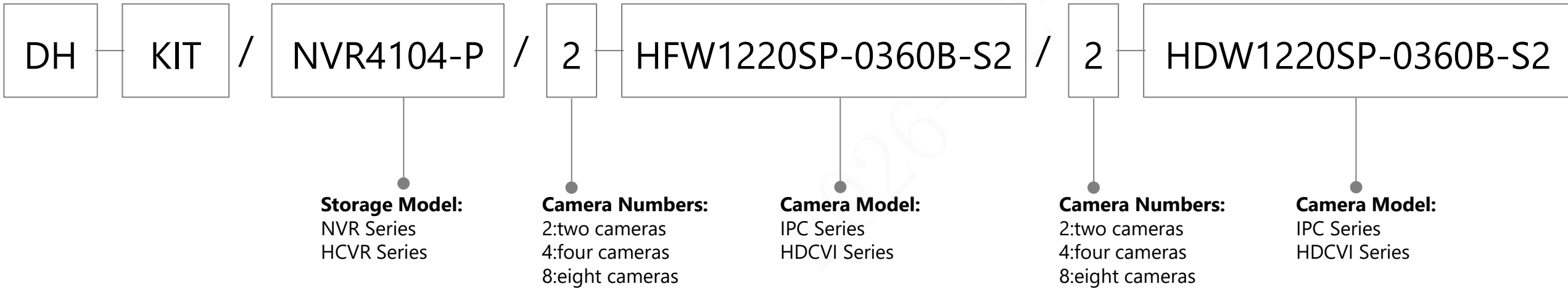
General NVR



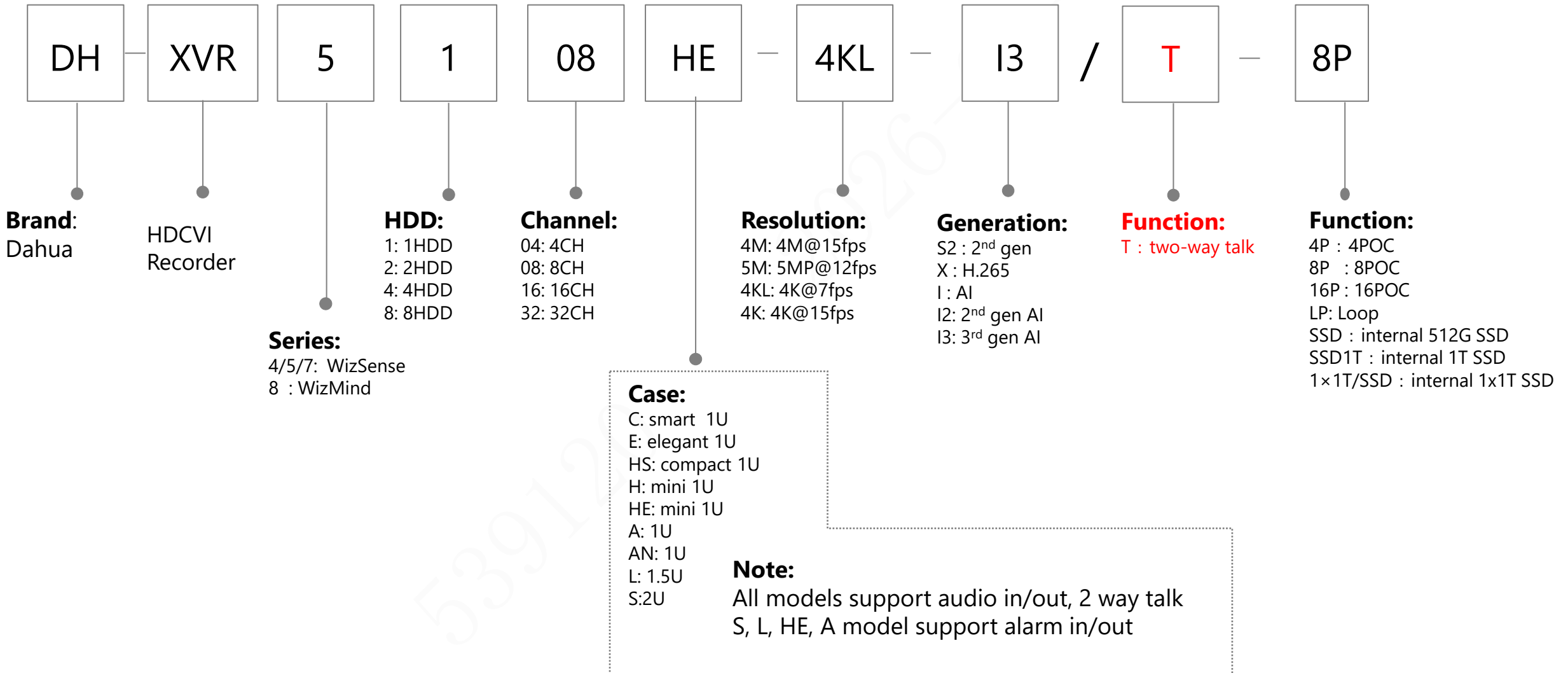
AI NVR



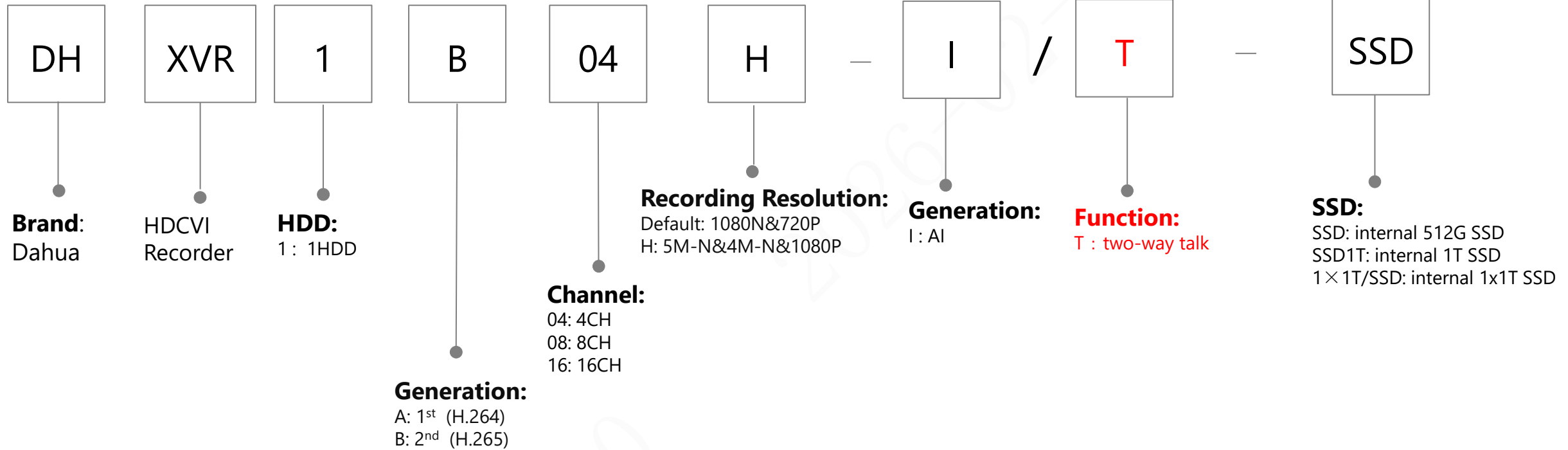
NVR KIT



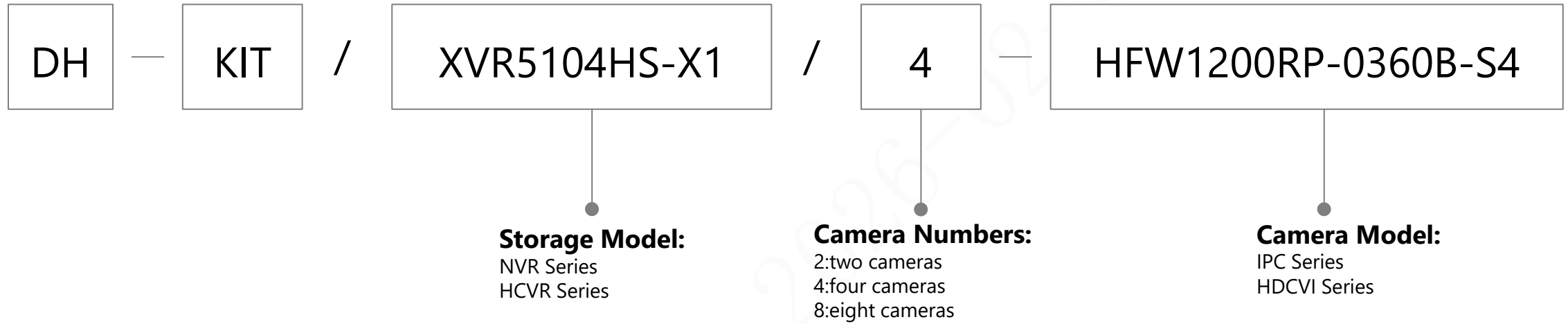
HDCVI Recorder (XVR)



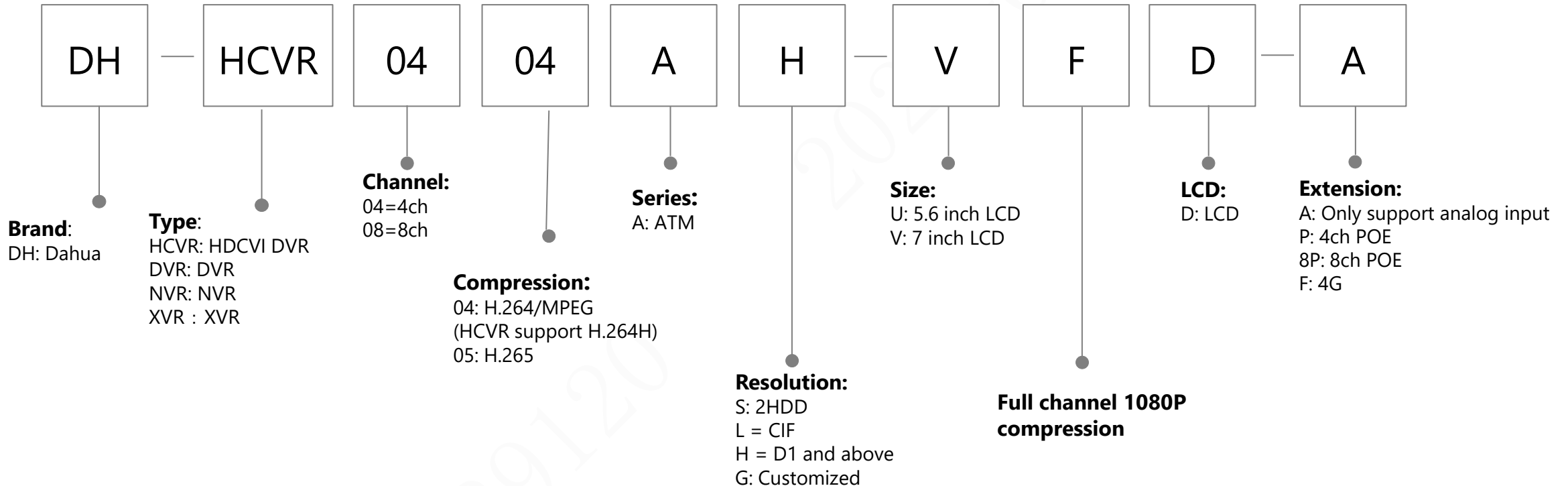
HDCVI Cooper Series (Recorder)



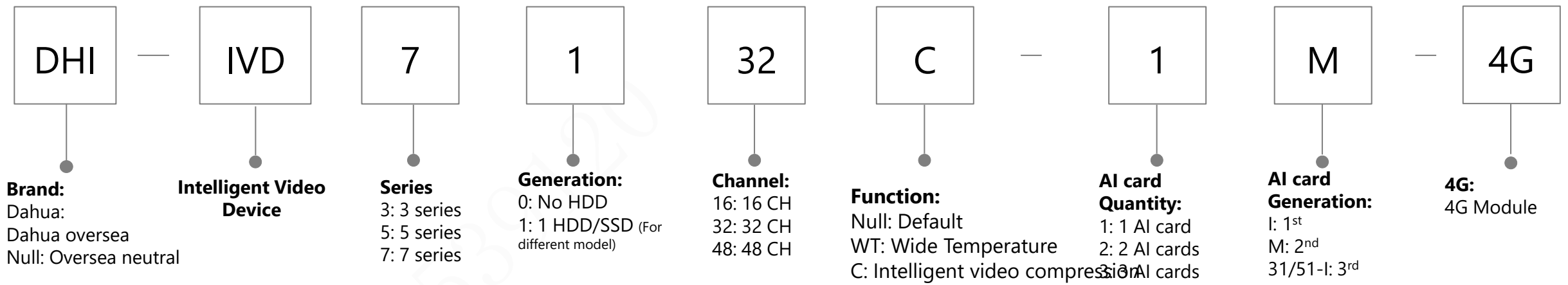
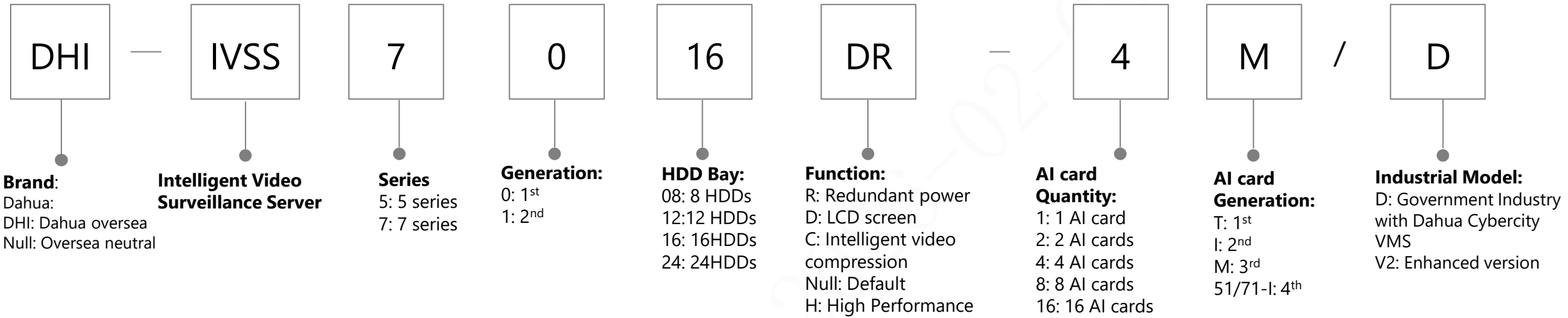
XVR KIT



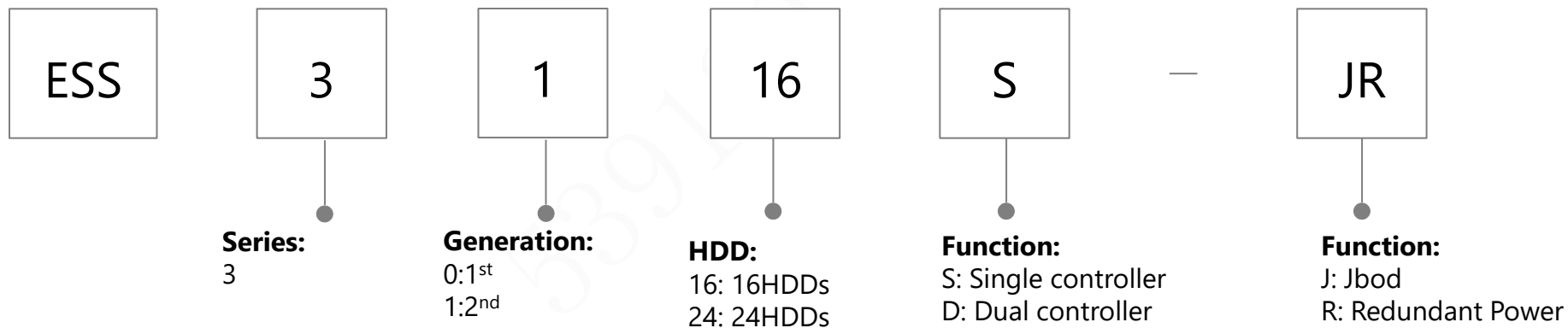
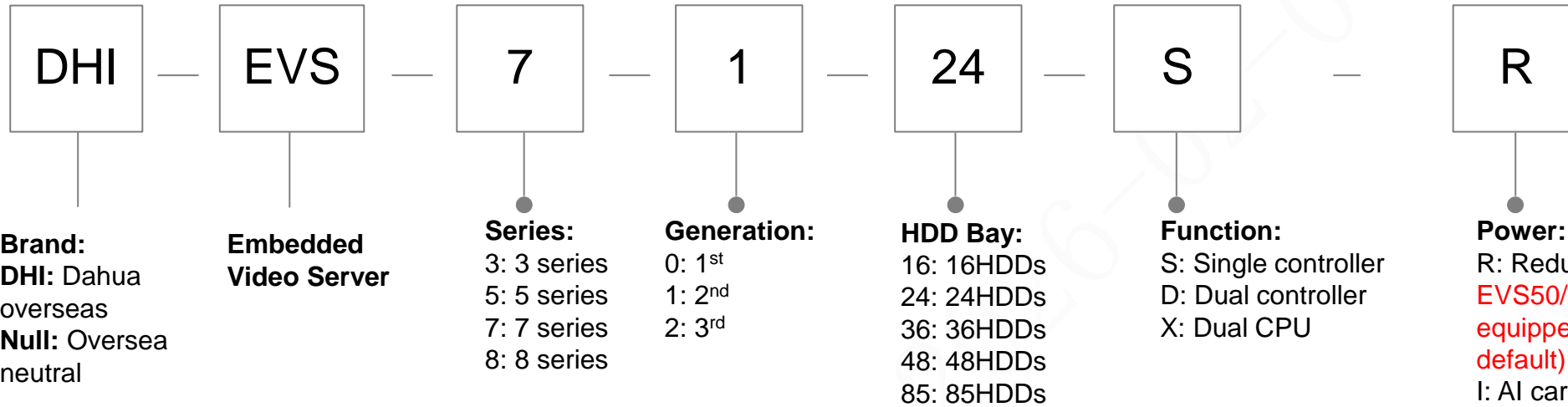
ATM DVR/NVR



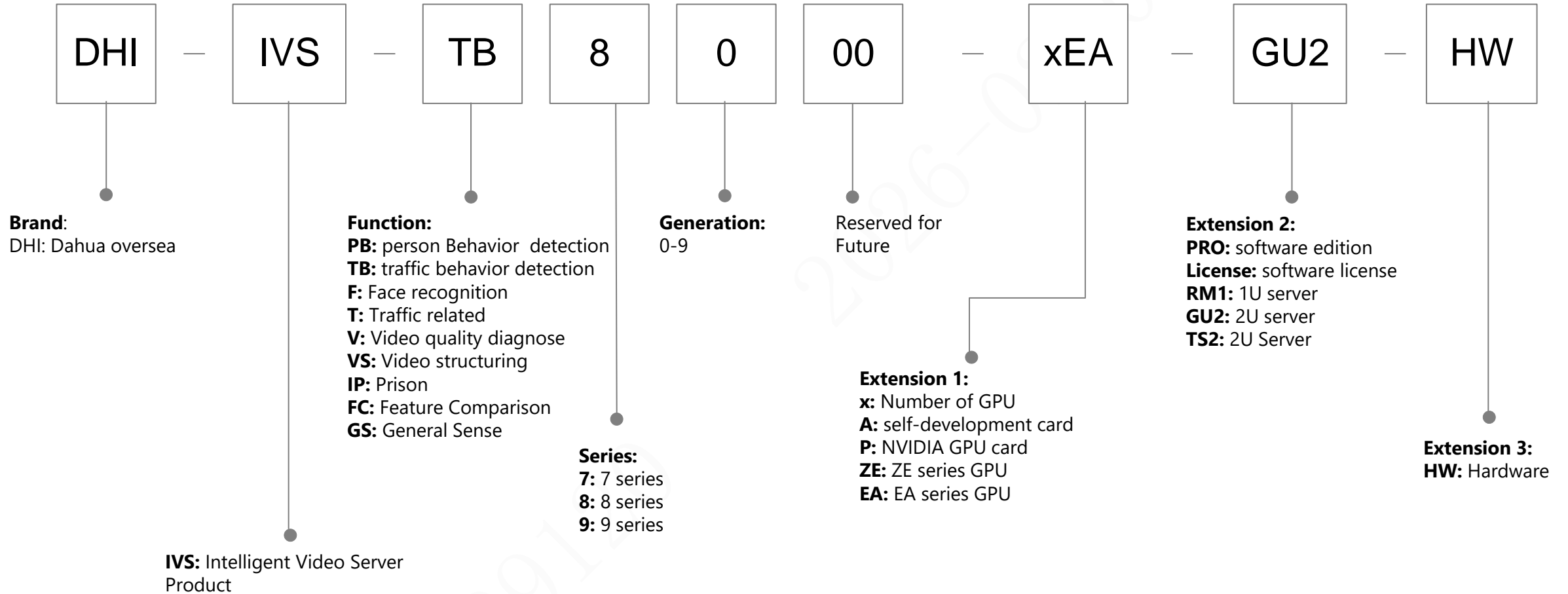
IVSS & IVD



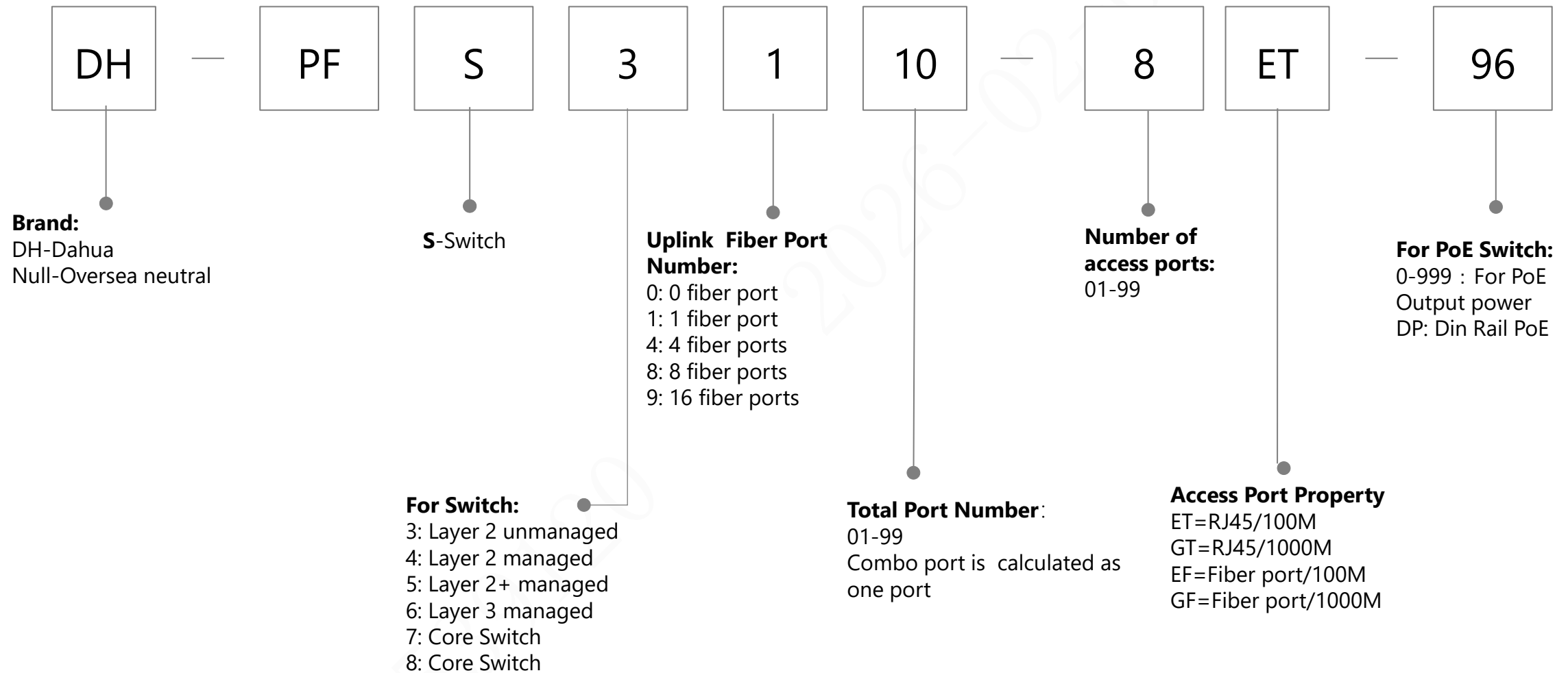
EVS & ESS



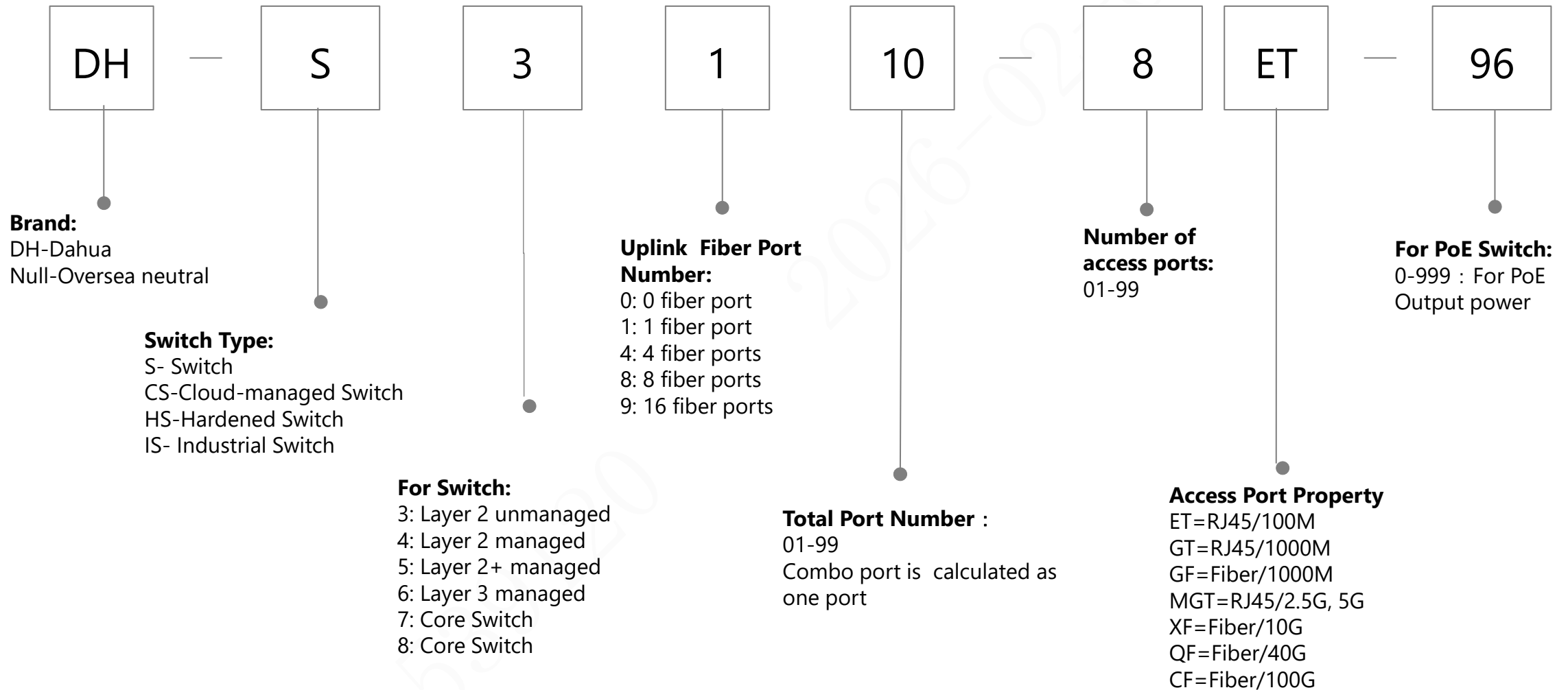
IVS



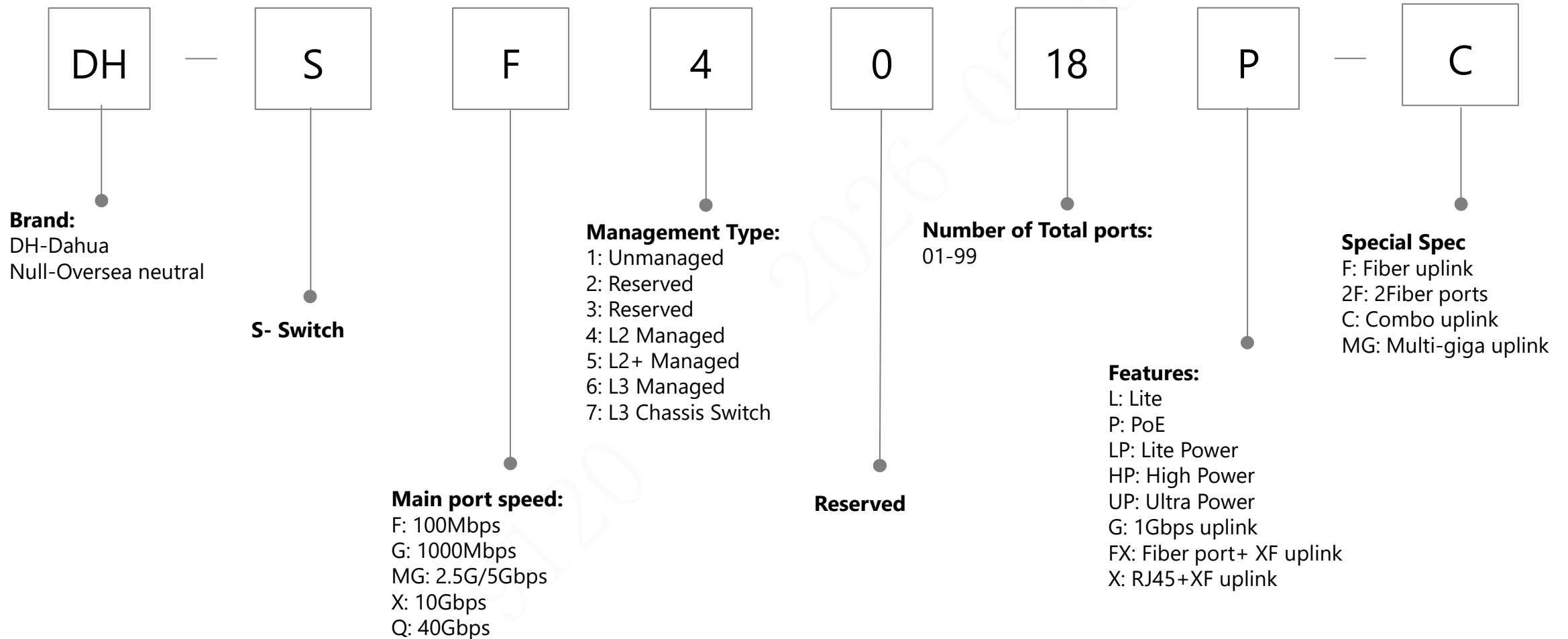
Switch



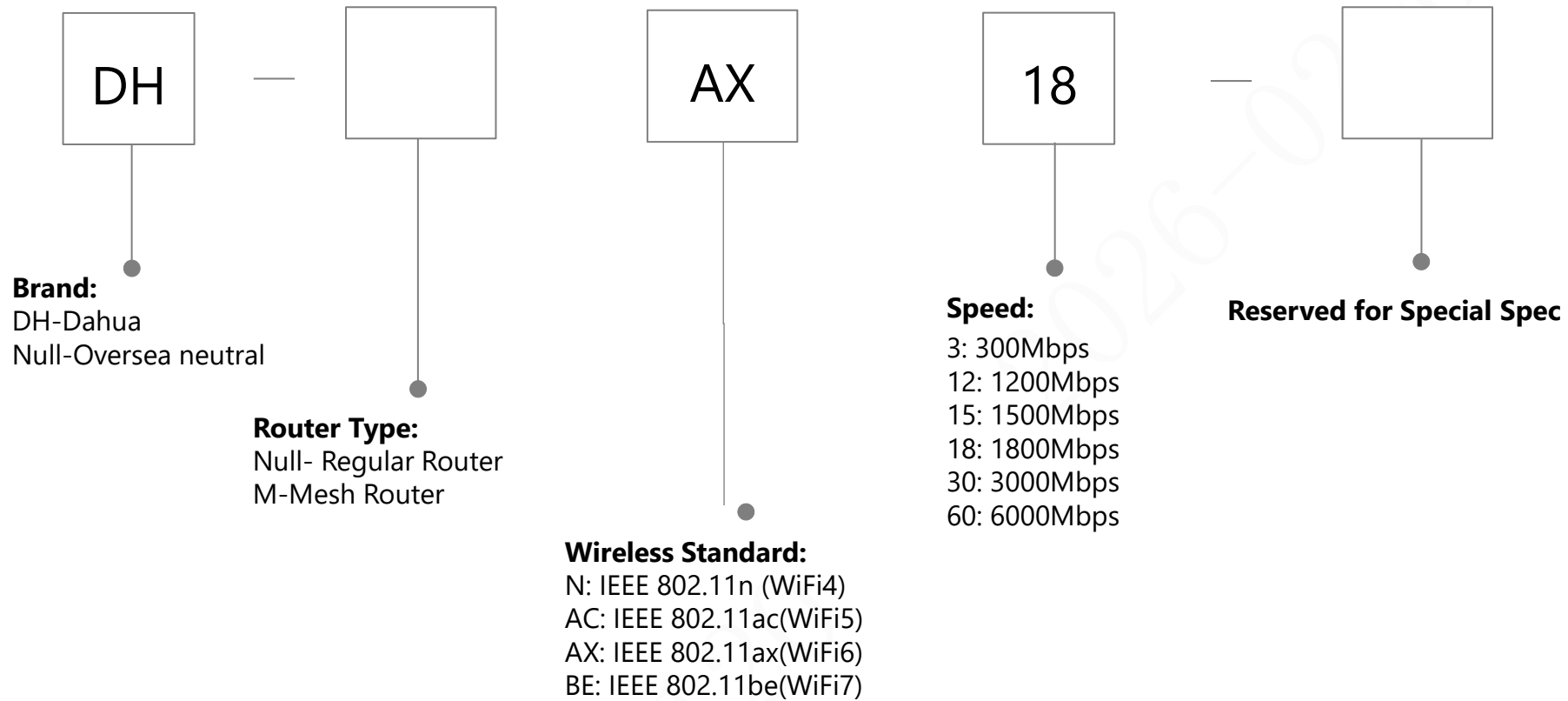
Switch(new,CCTV)



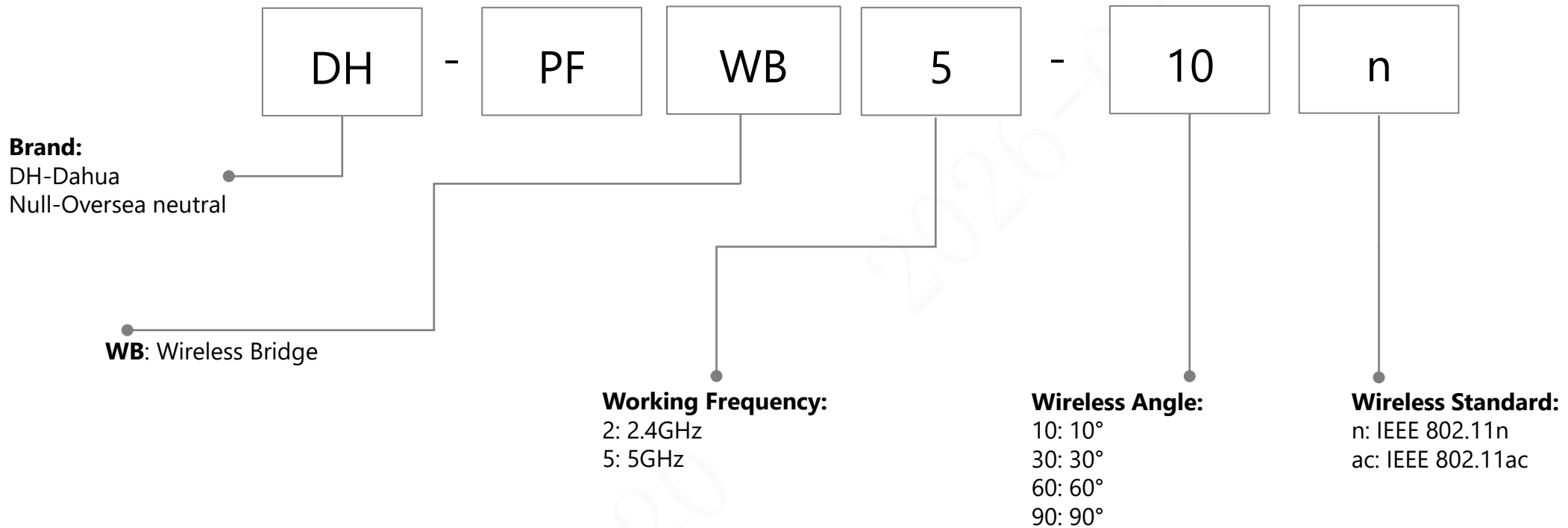
Switch(new, IT)



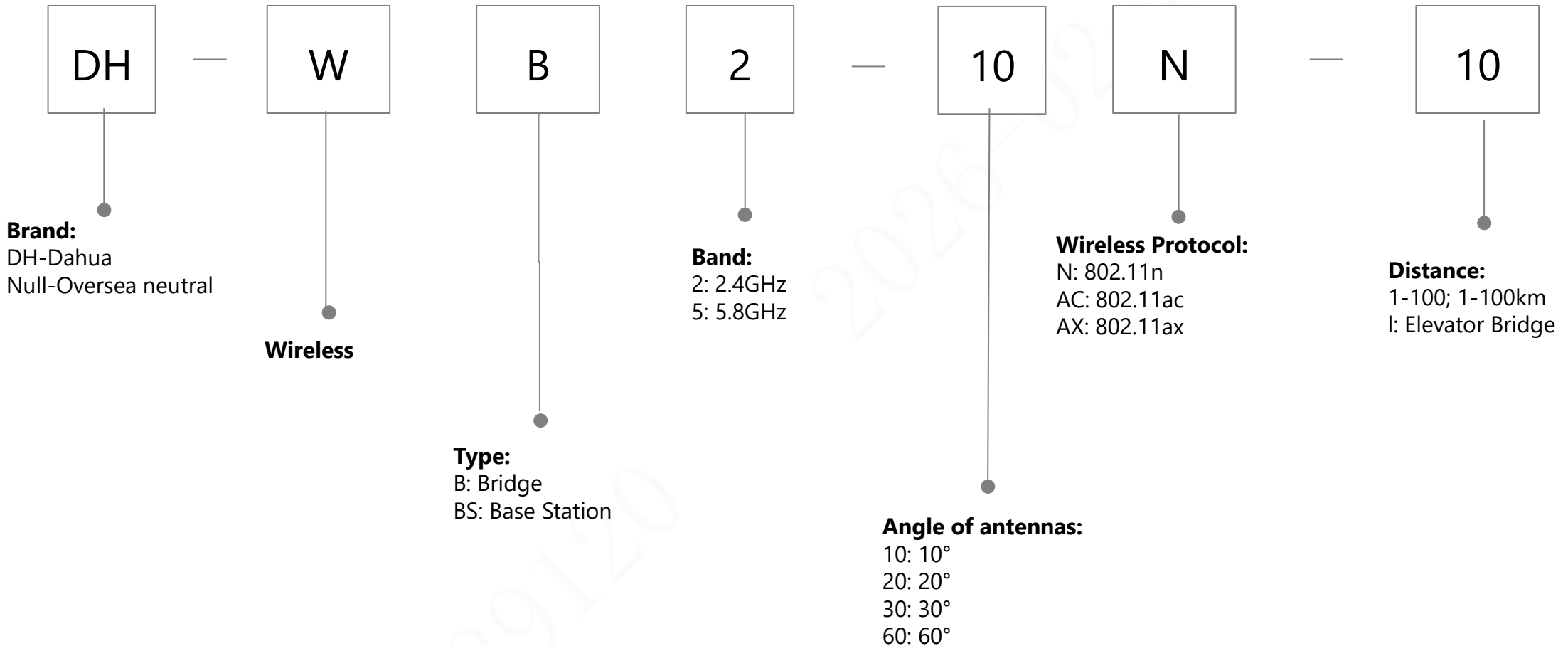
Wireless Router



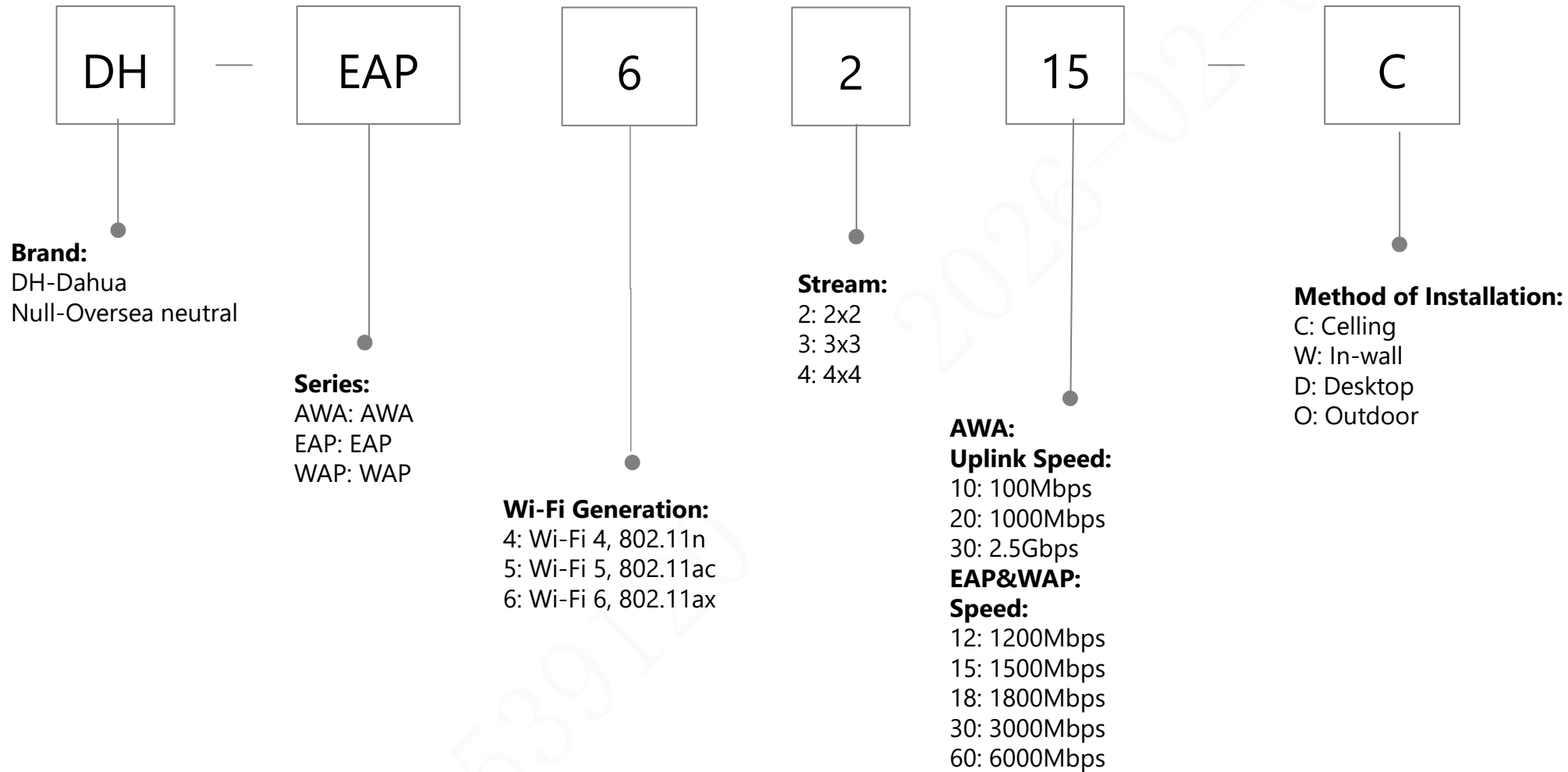
Wireless Bridge (Only for V-Radio series wireless bridge)



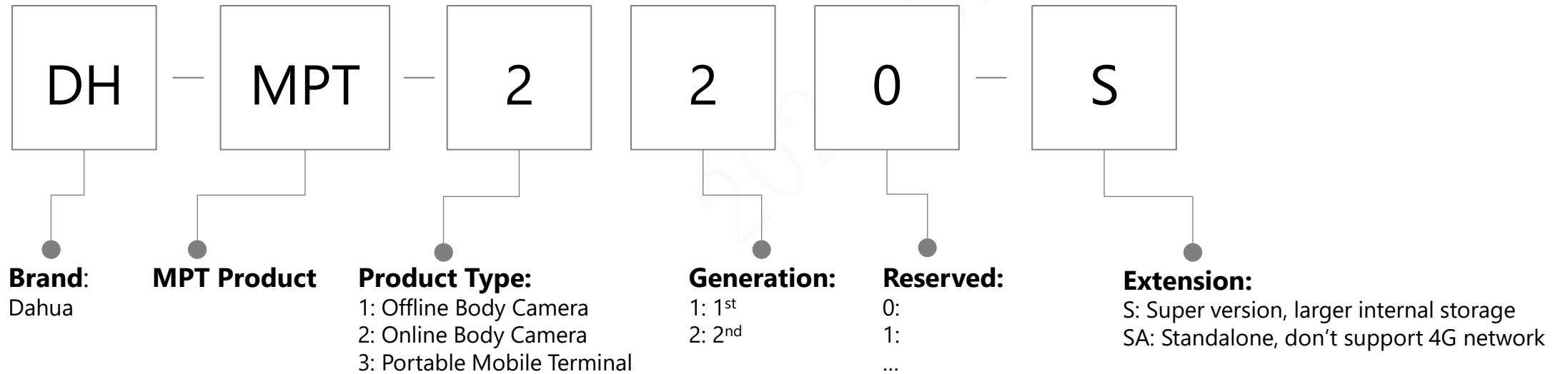
Wireless Bridge(new)



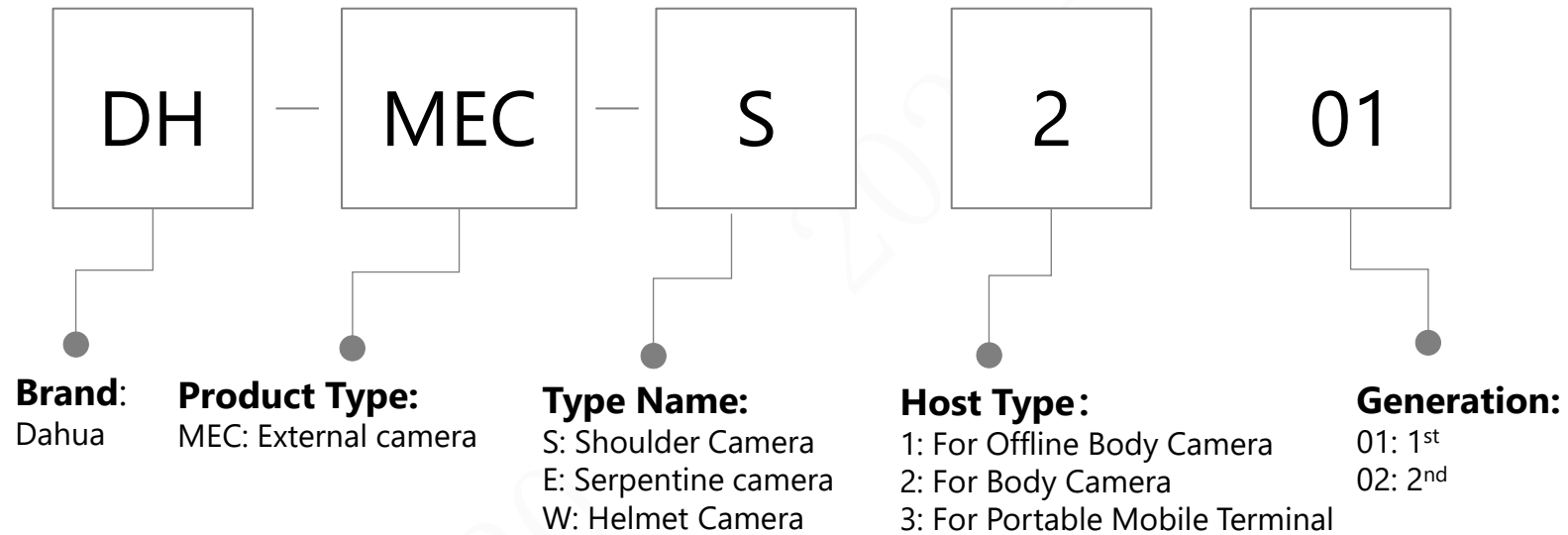
AP



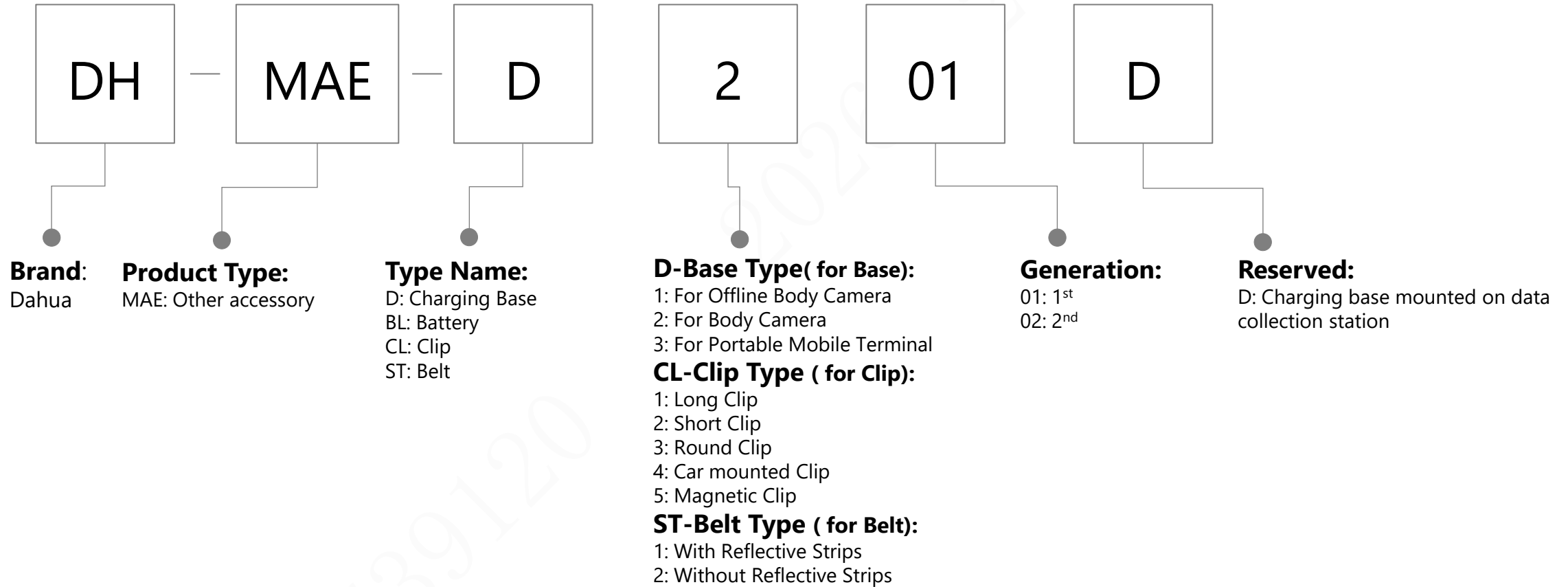
MPT



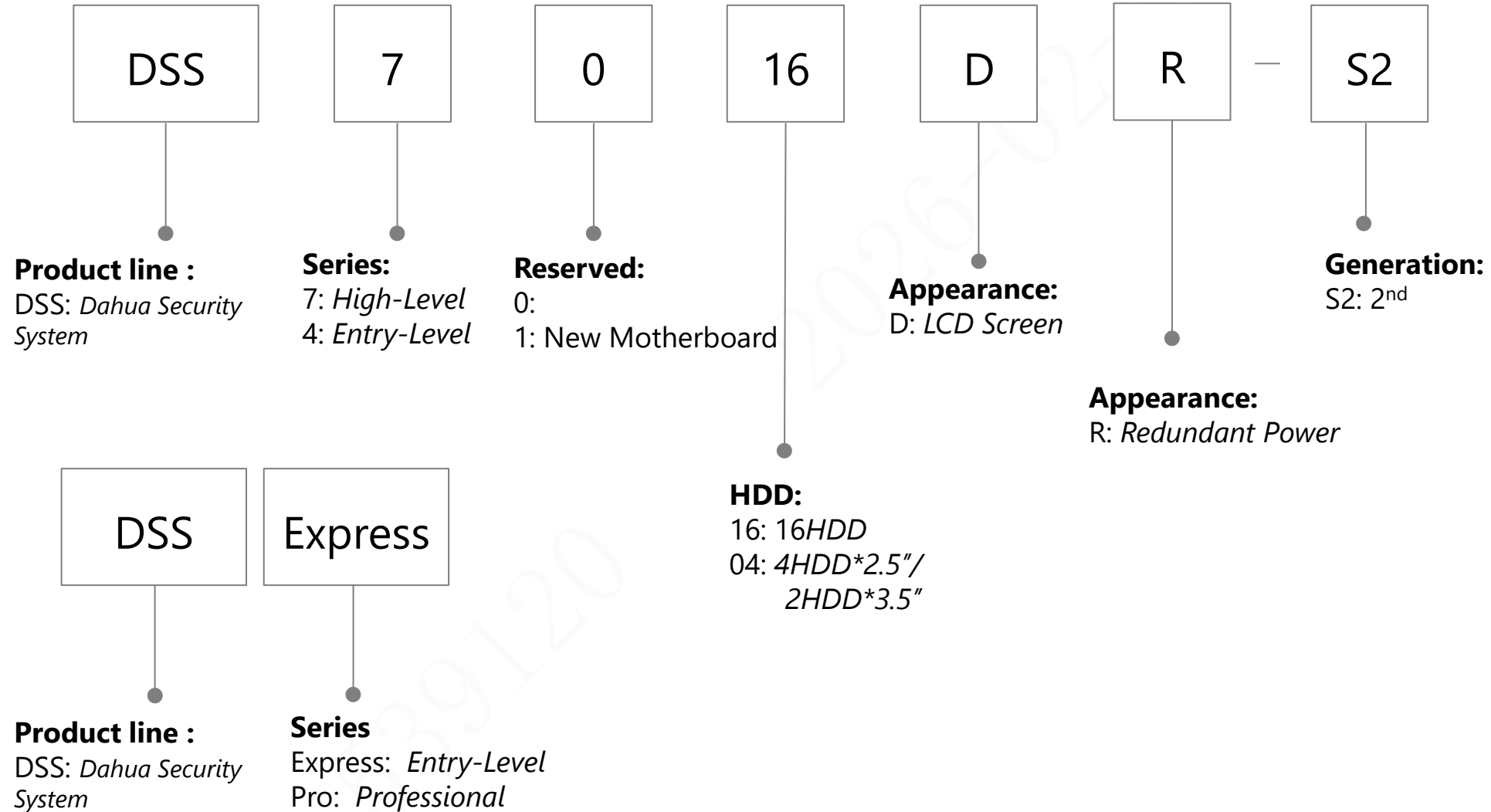
MPT



MPT



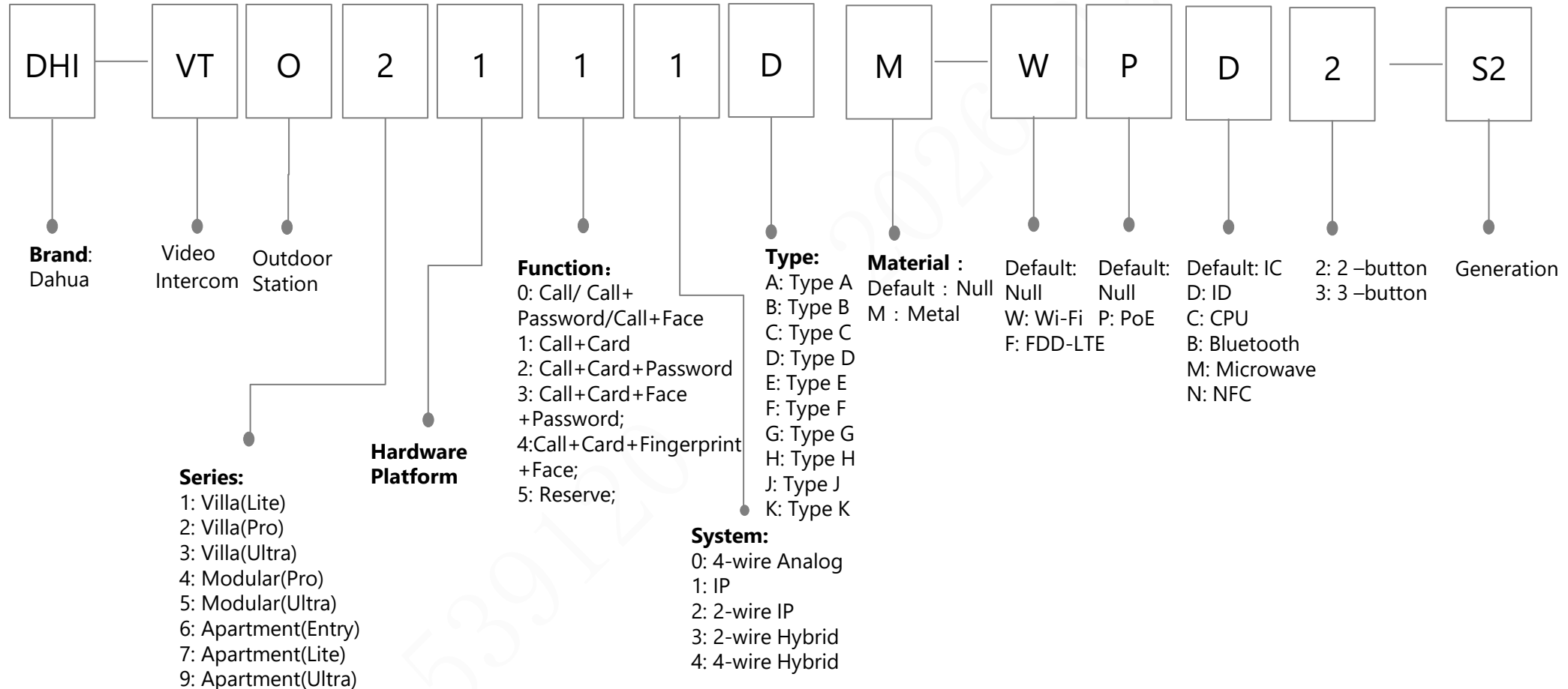
DSS Baseline



Video Intercom(Door Station)



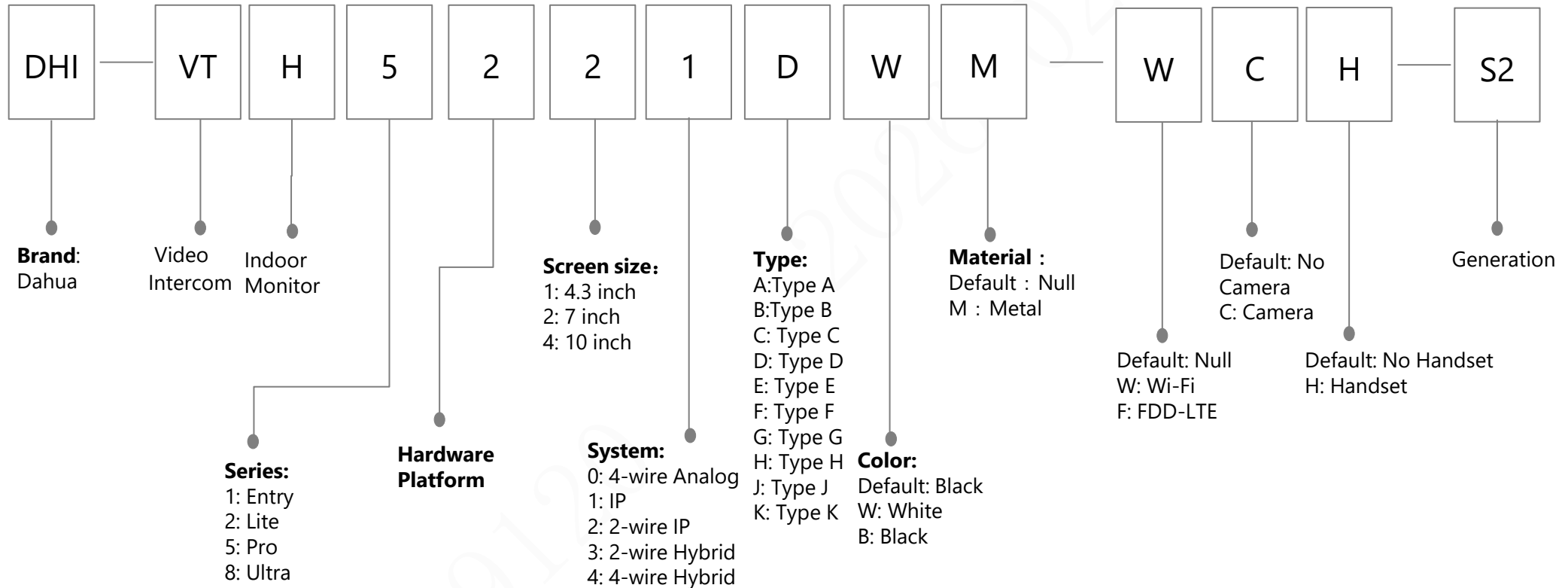
Notice: The naming rule is applicable to the products released after 2016



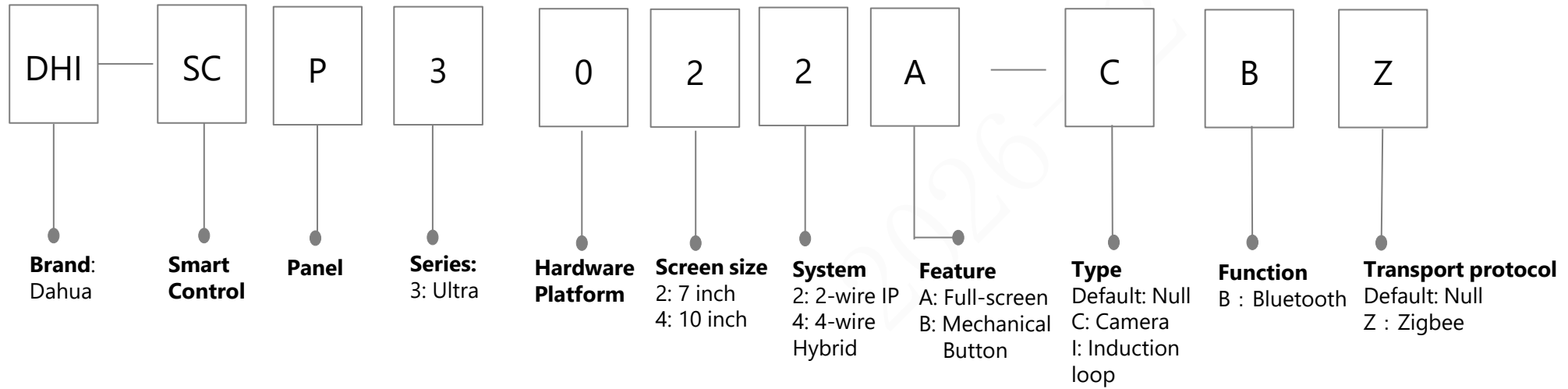
Video Intercom(Indoor Monitor)



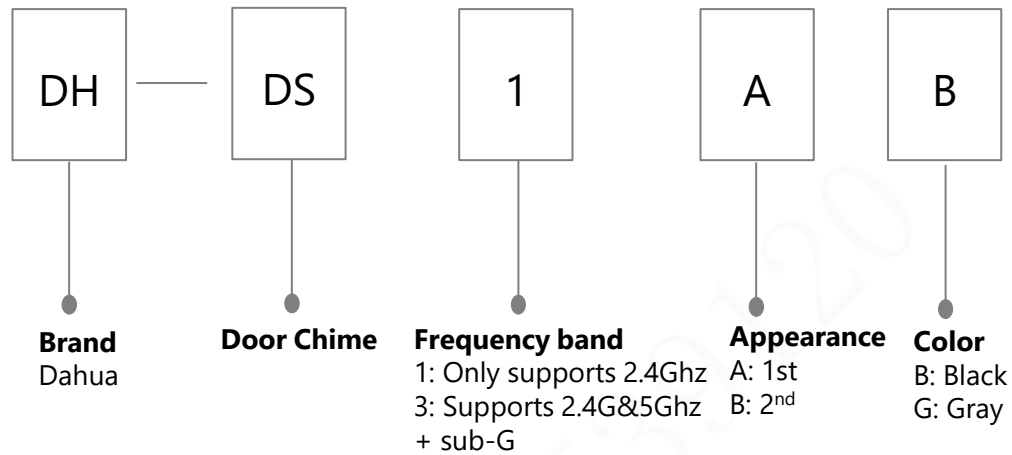
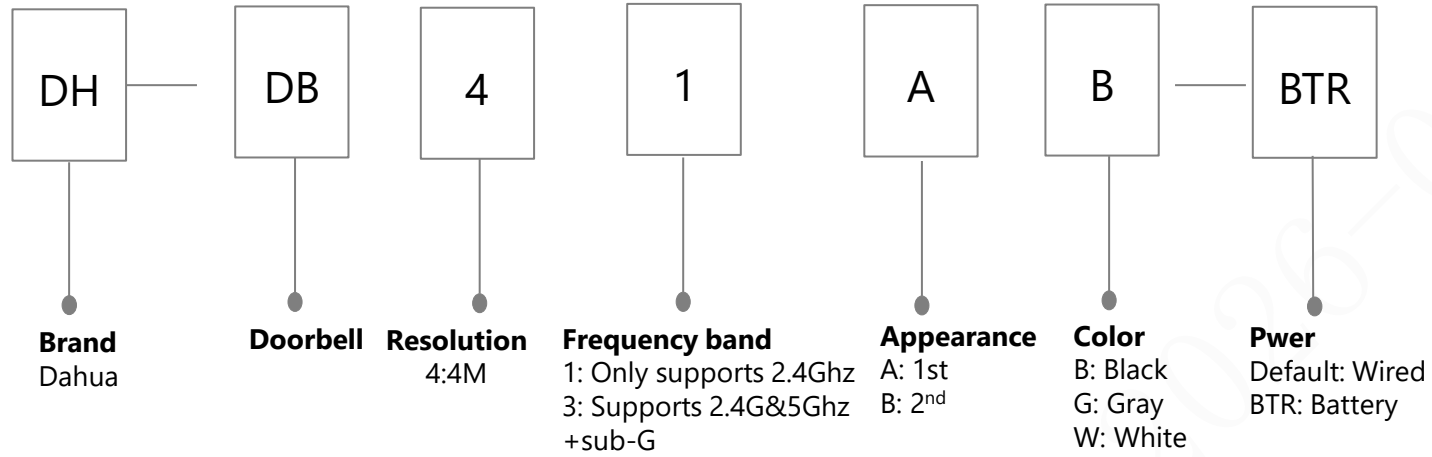
Notice: The naming rule is applicable to the products released after 2016



Video Intercom(SCP)

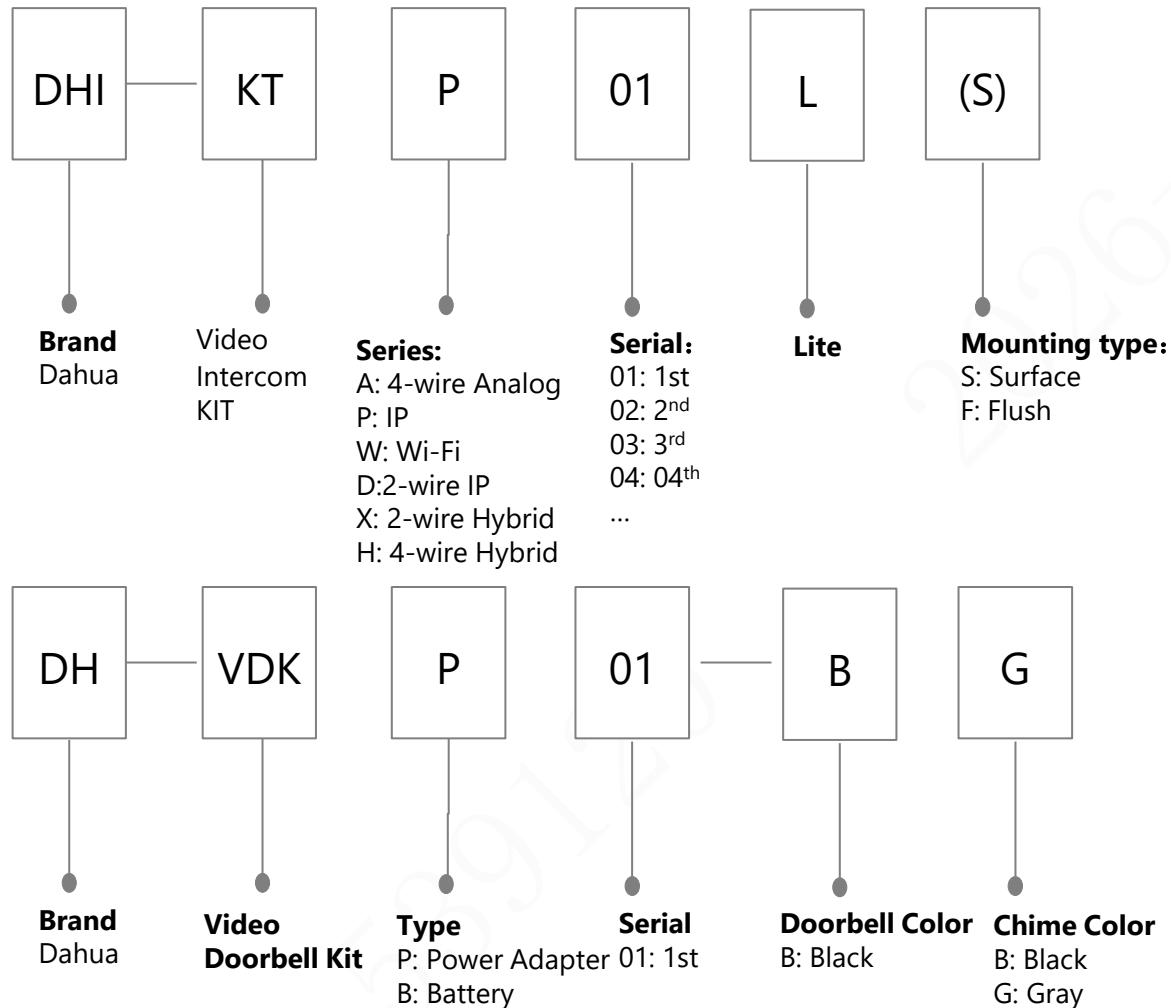


Video Intercom(Video Doorbell & Chime)

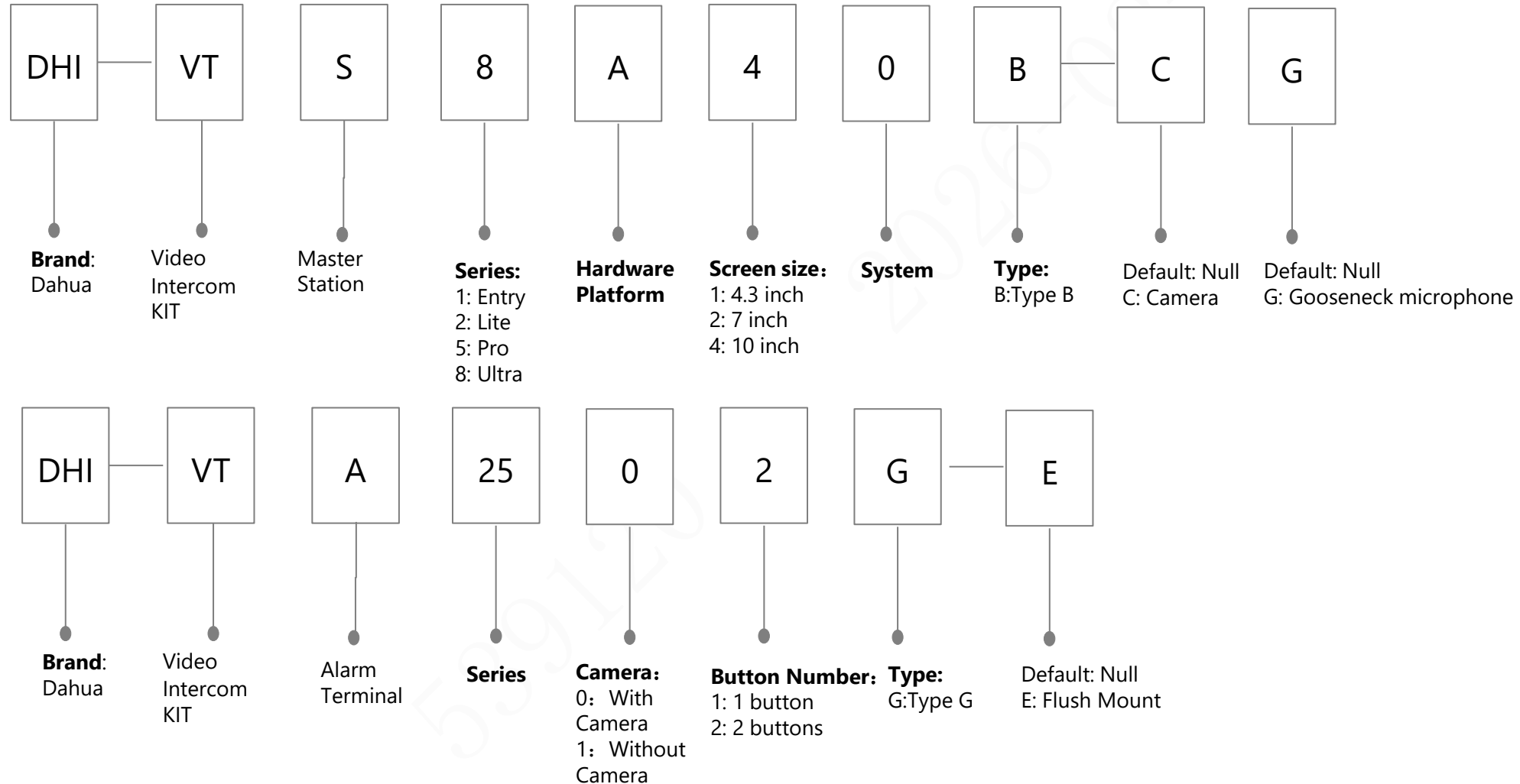


Video Intercom(KIT)

Notice: The naming rule is applicable to the products released after 2019

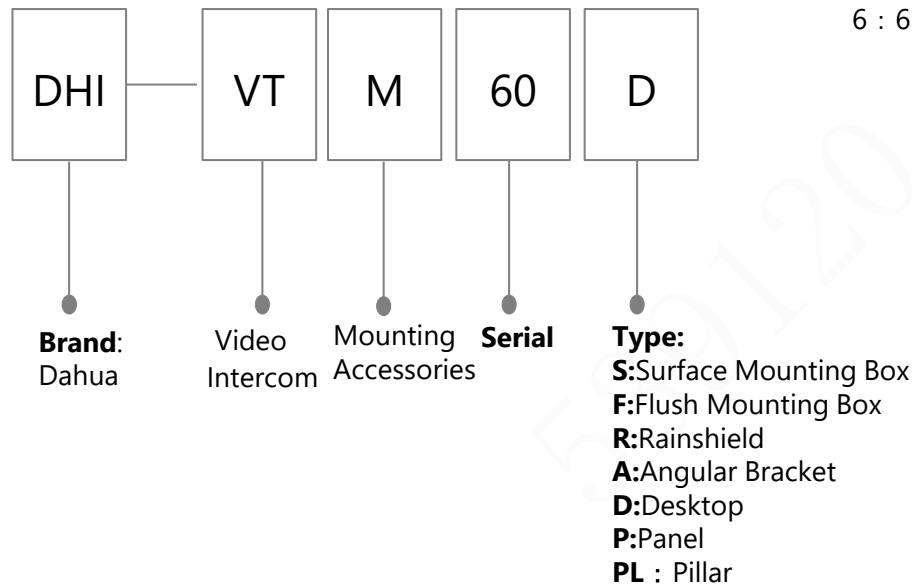
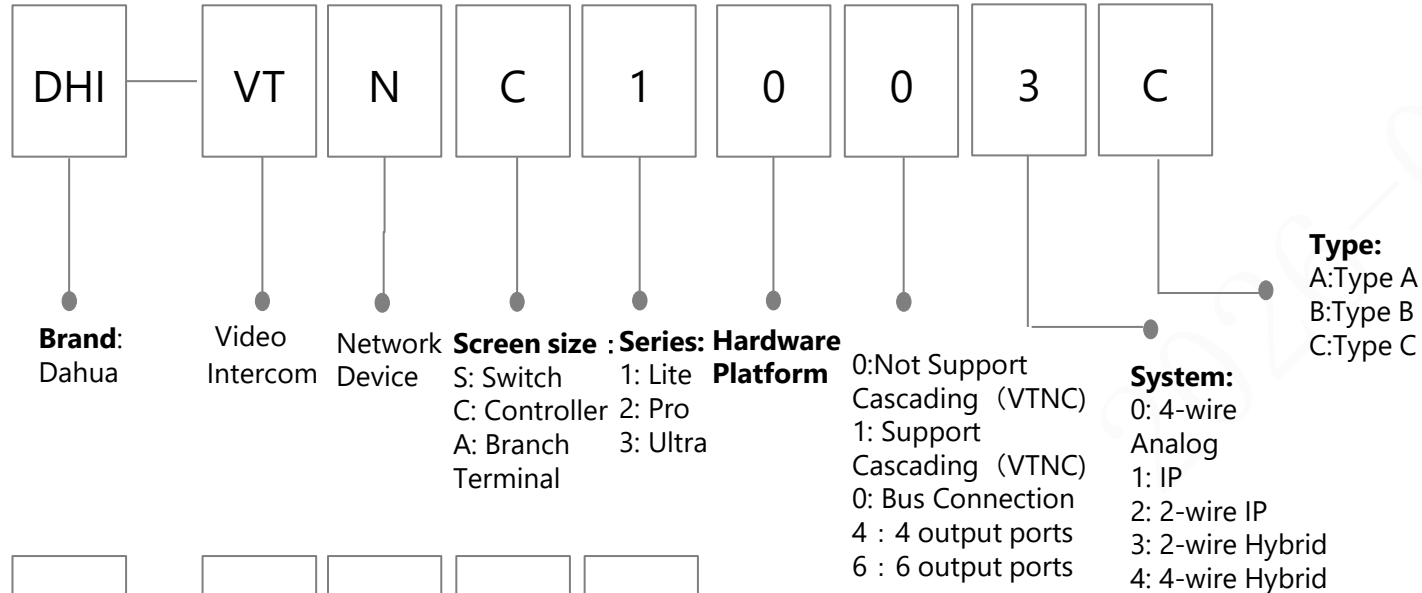


Video Intercom(Emergency Phone Terminals)

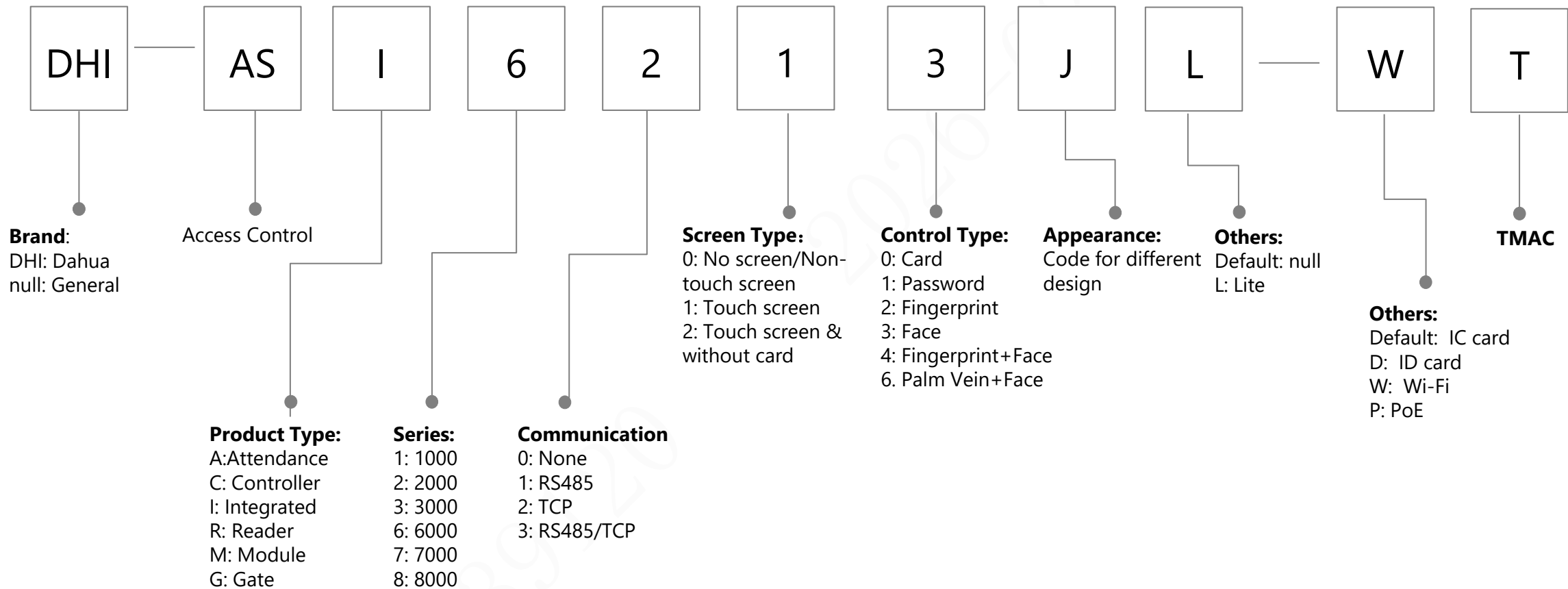


Video Intercom(Accessory)

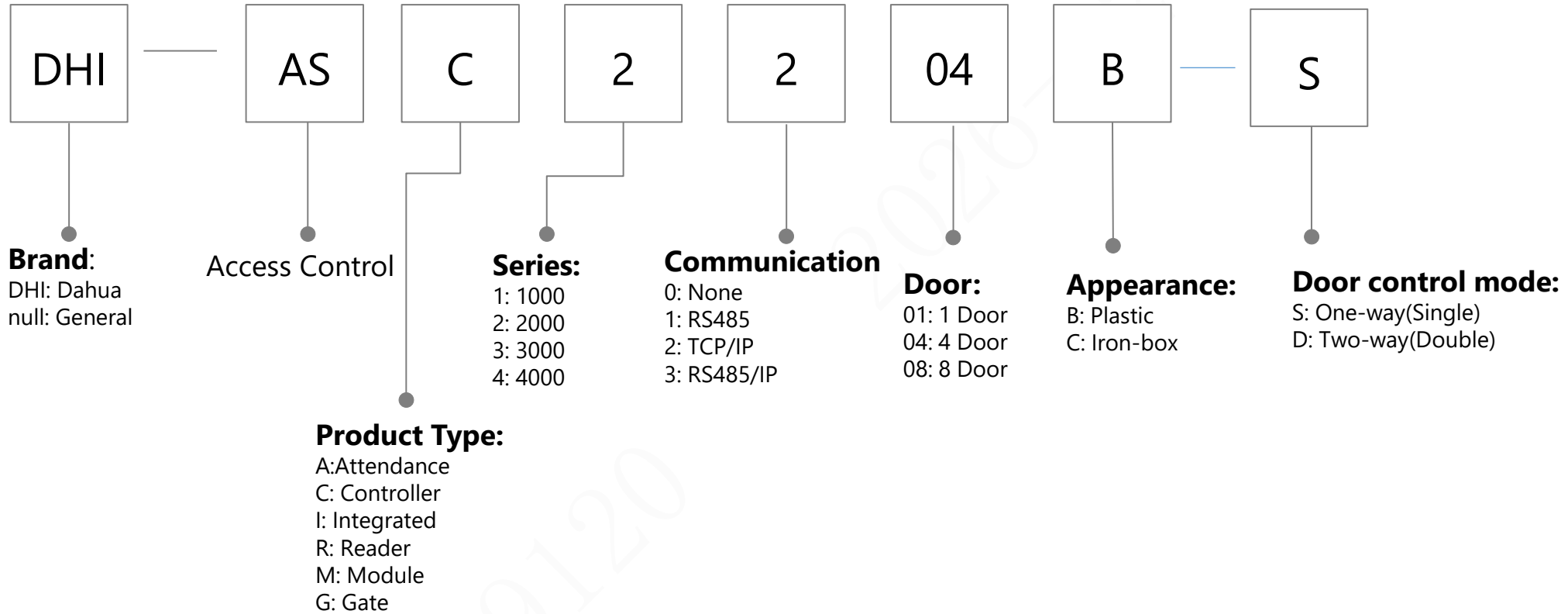
Notice: The naming rule is applicable to the products released after 2021



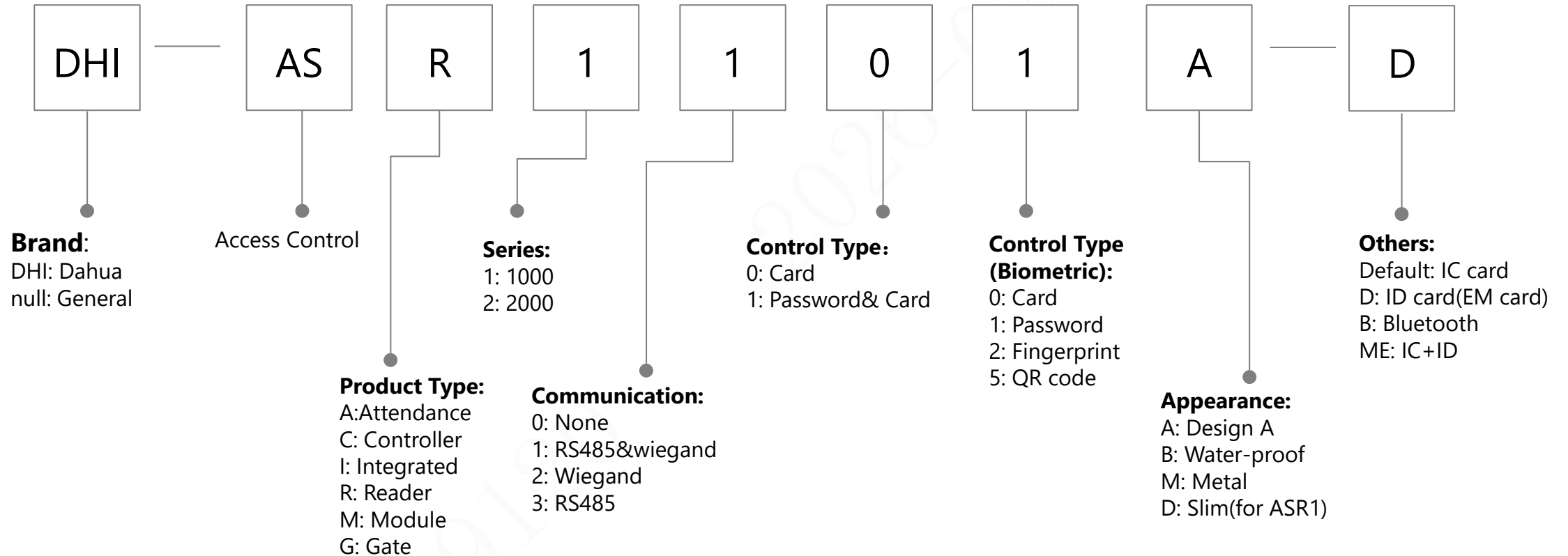
Access Control (Integrated)



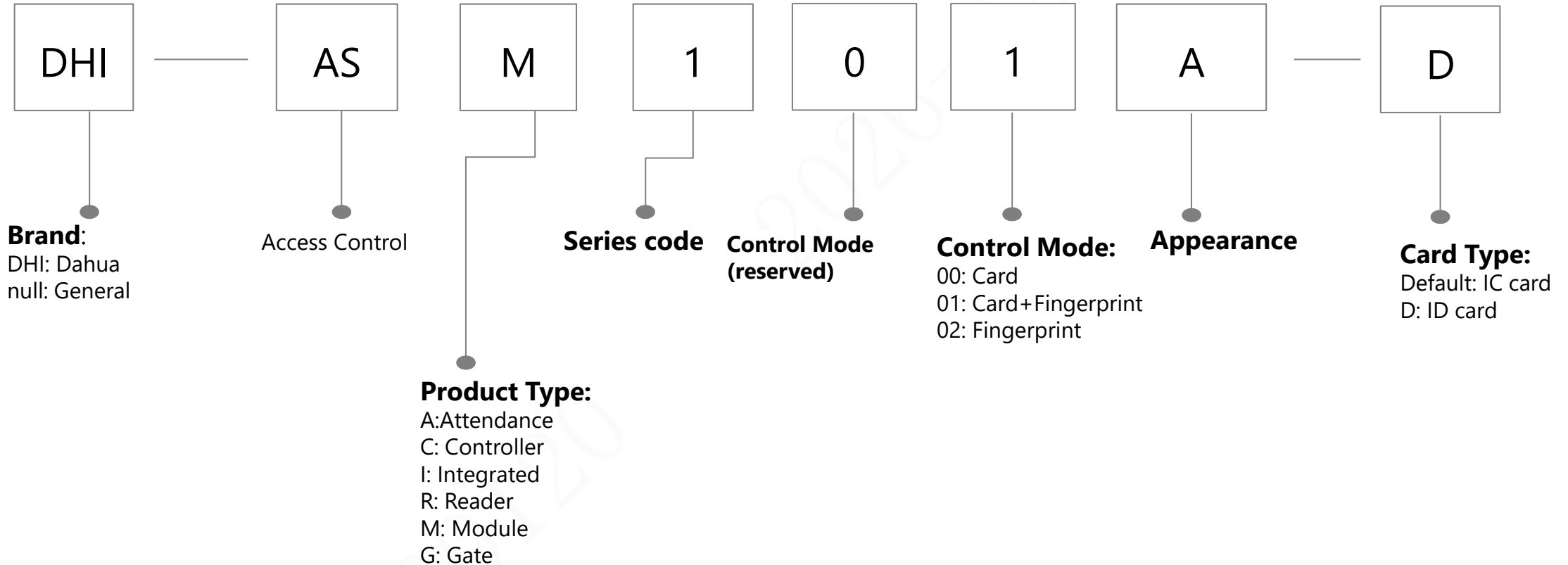
Access Control (Controller)



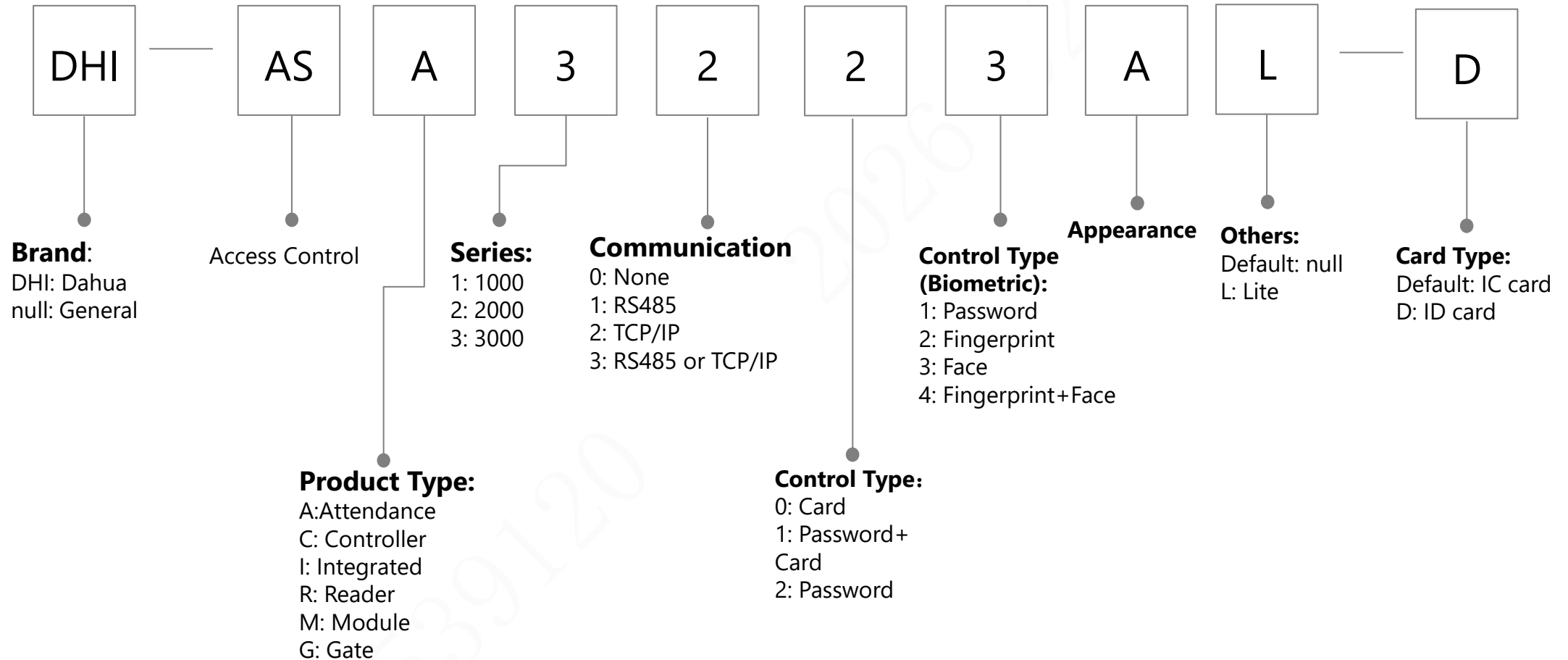
Access Control (Reader)



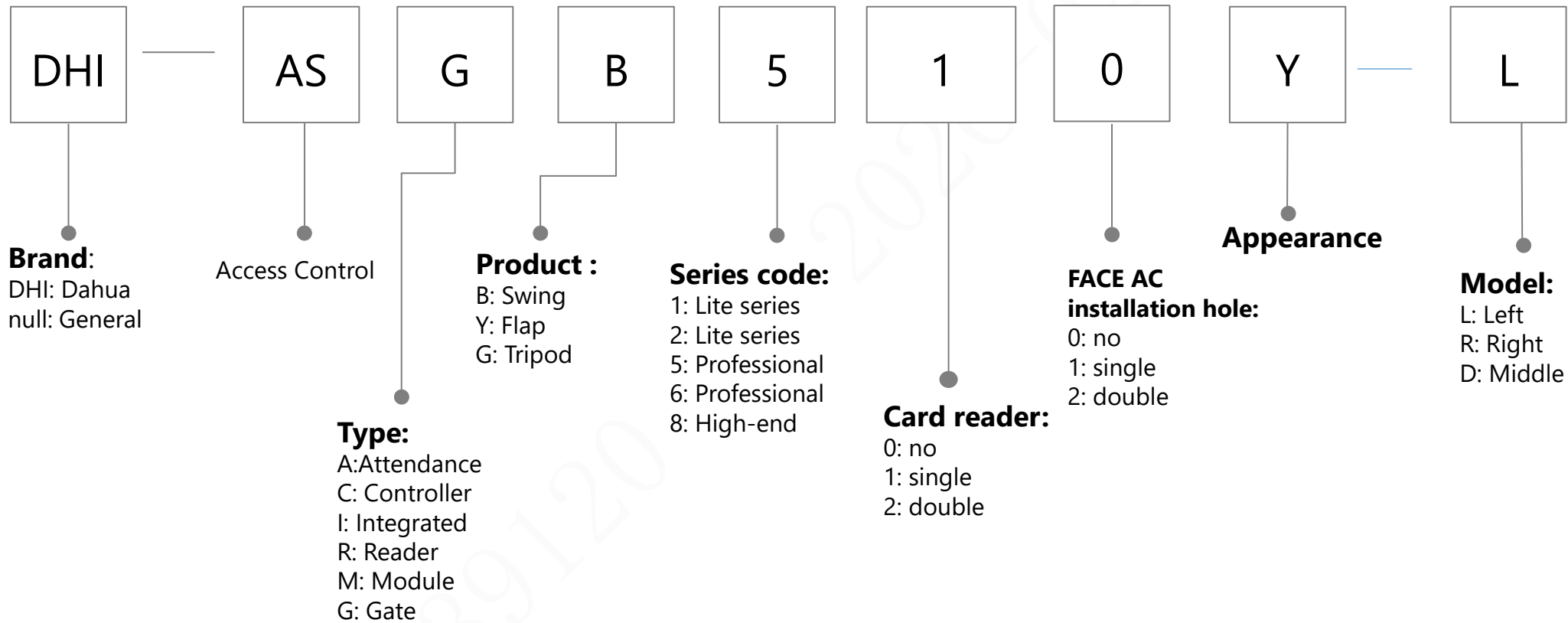
Access Control (Module)



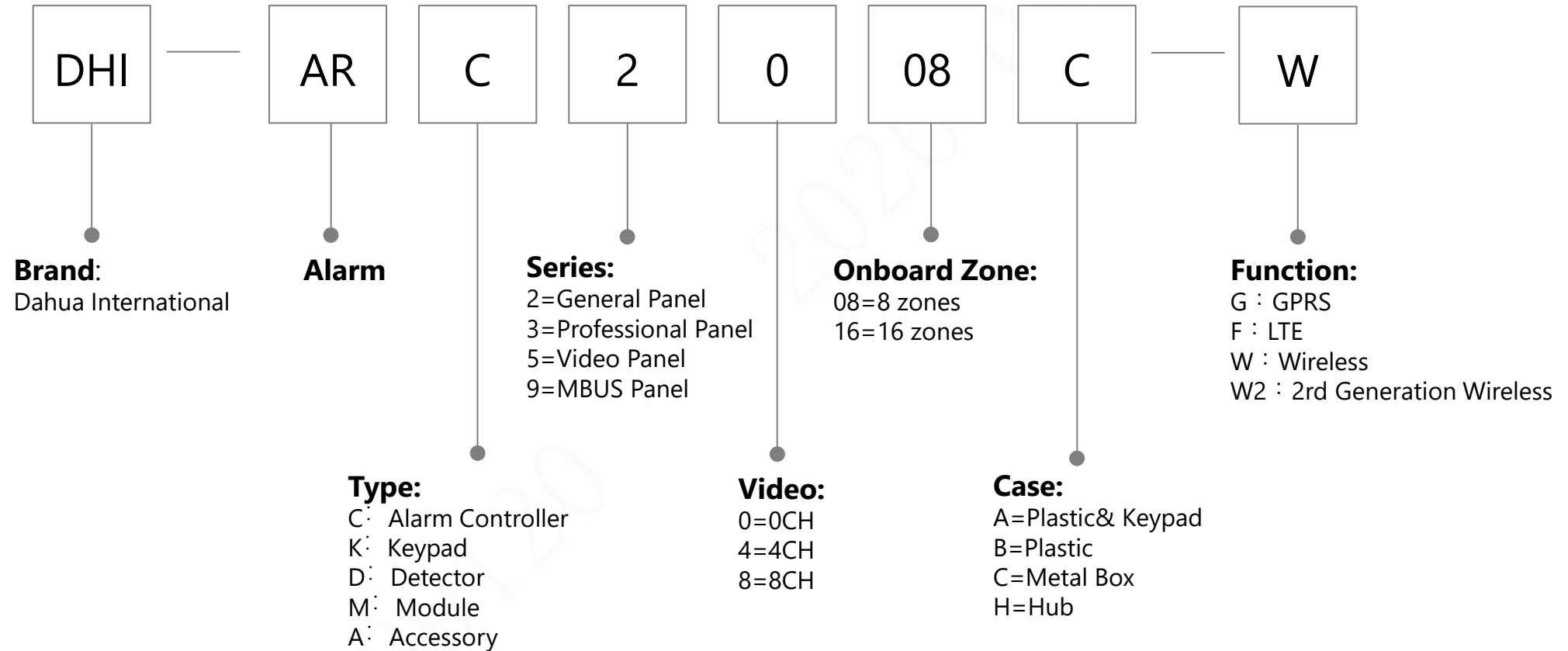
Access Control (Attendance)



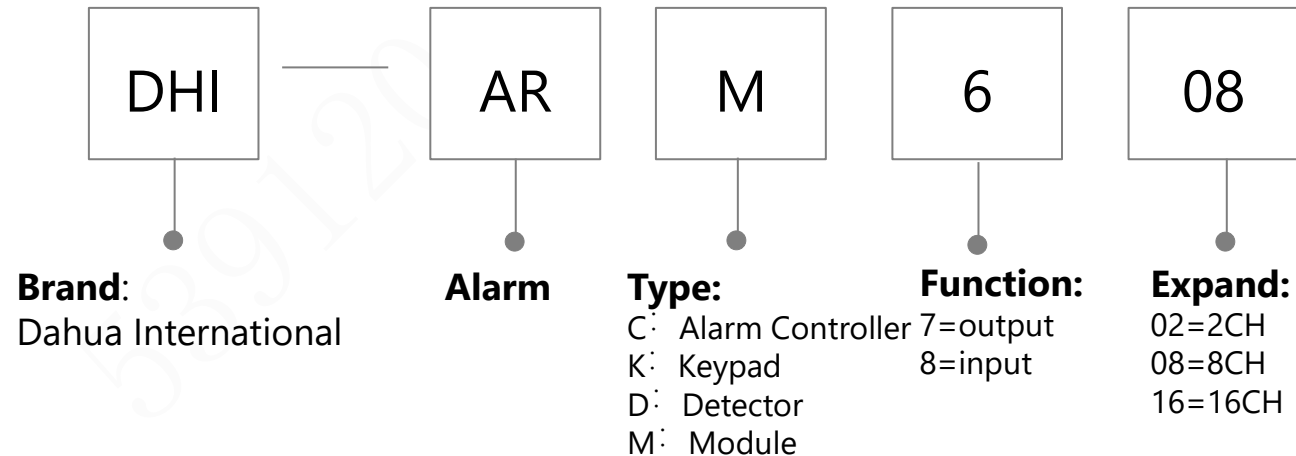
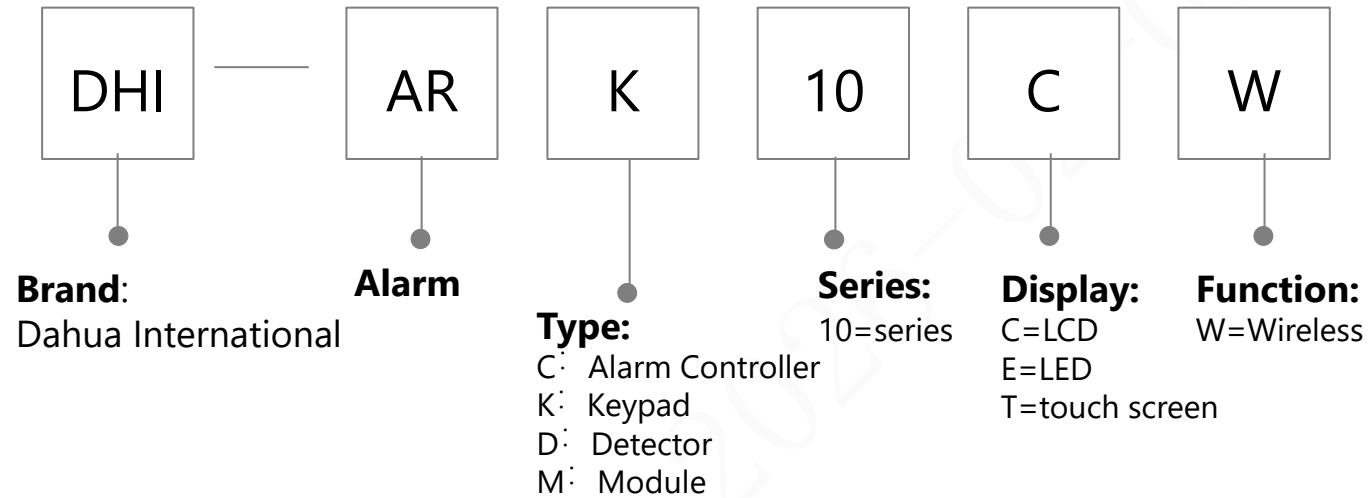
Access Control (Turnstile)



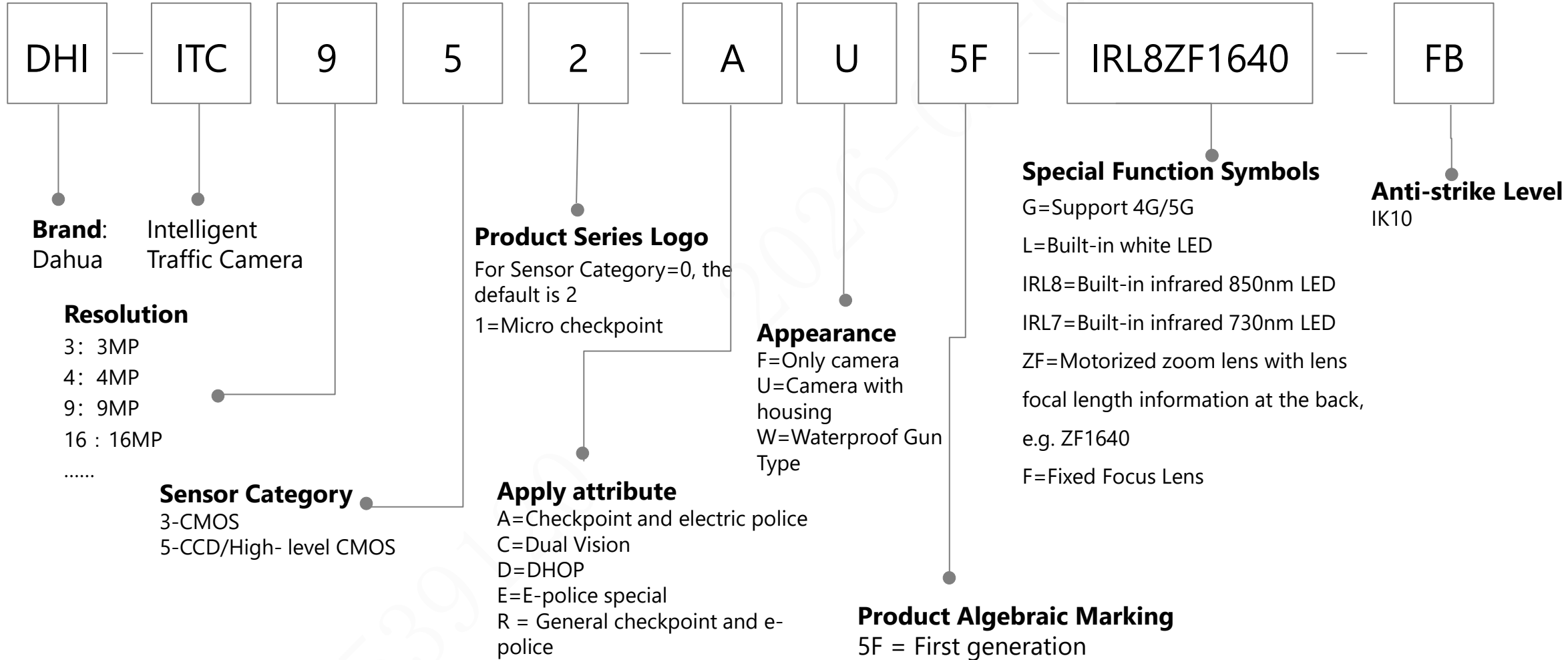
Alarm (Controller)



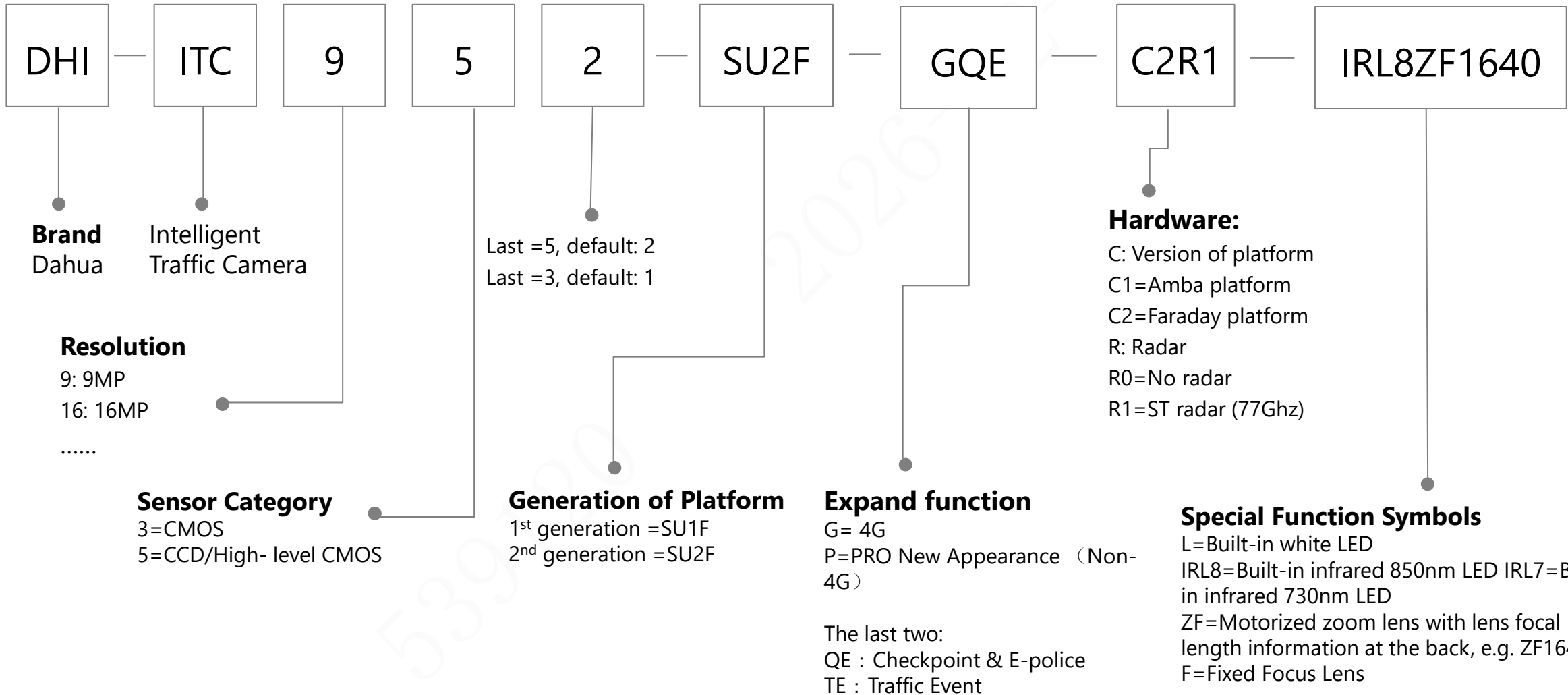
Alarm (Keypad & Module)



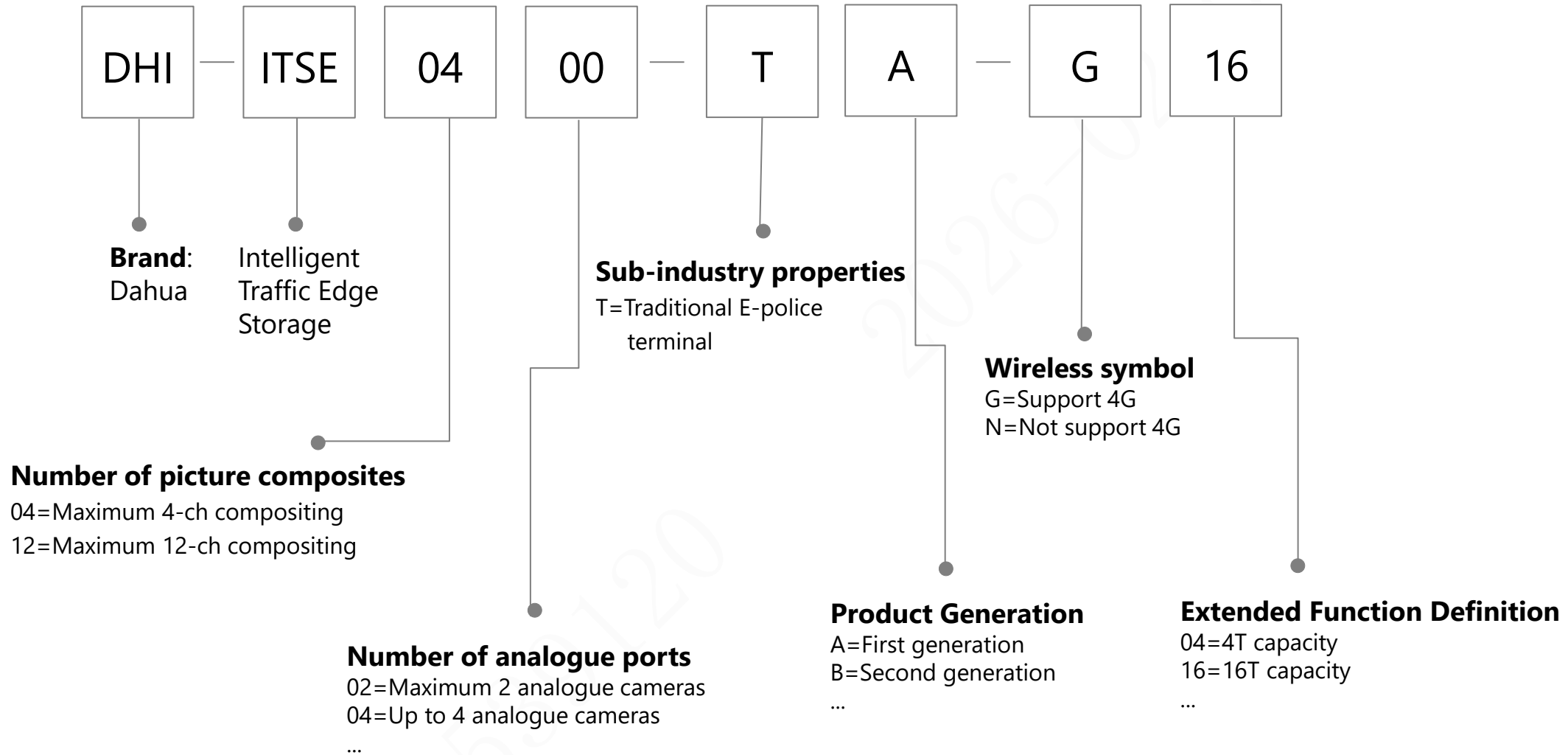
ITS-Traffic Camera



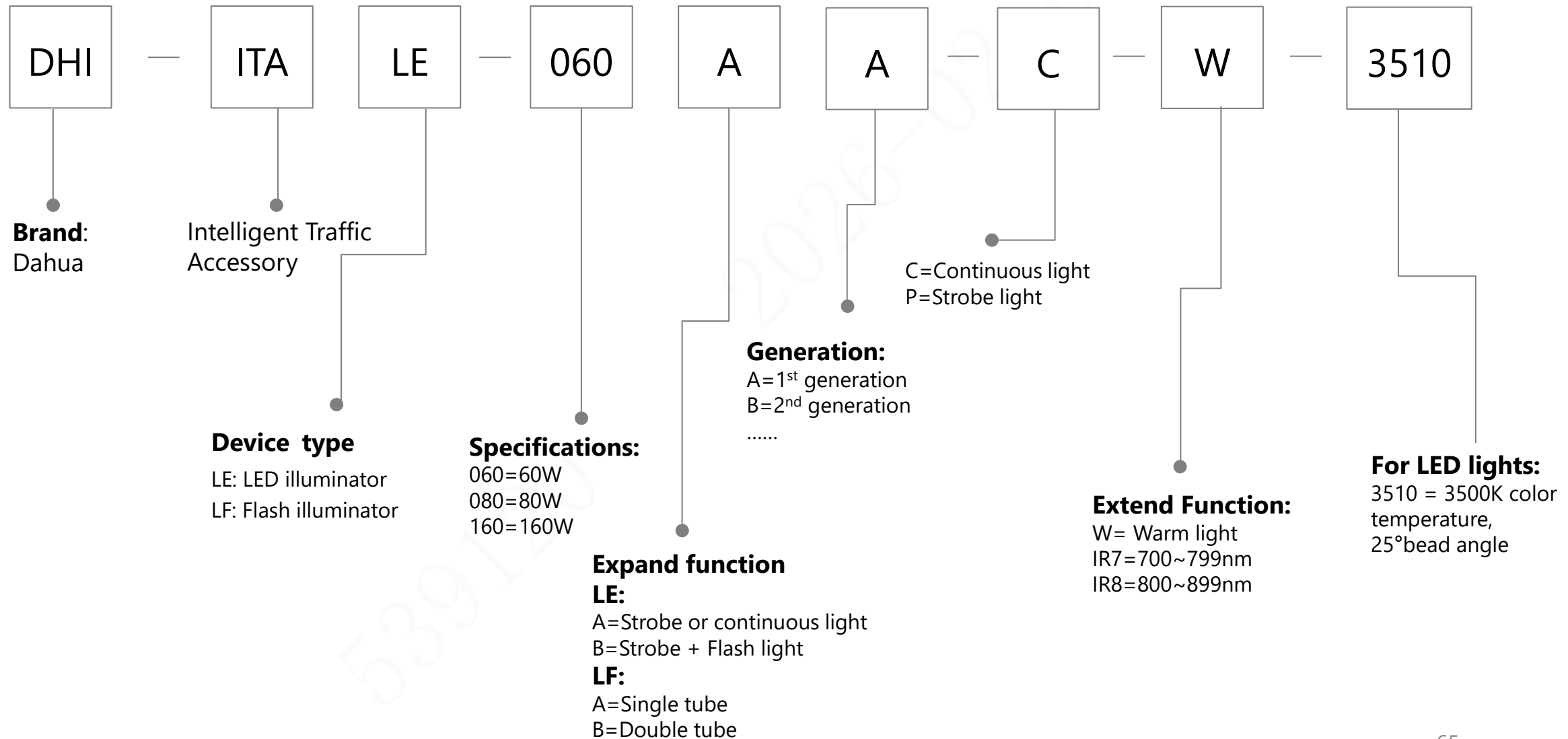
ITS-Traffic Camera-Spotter sky



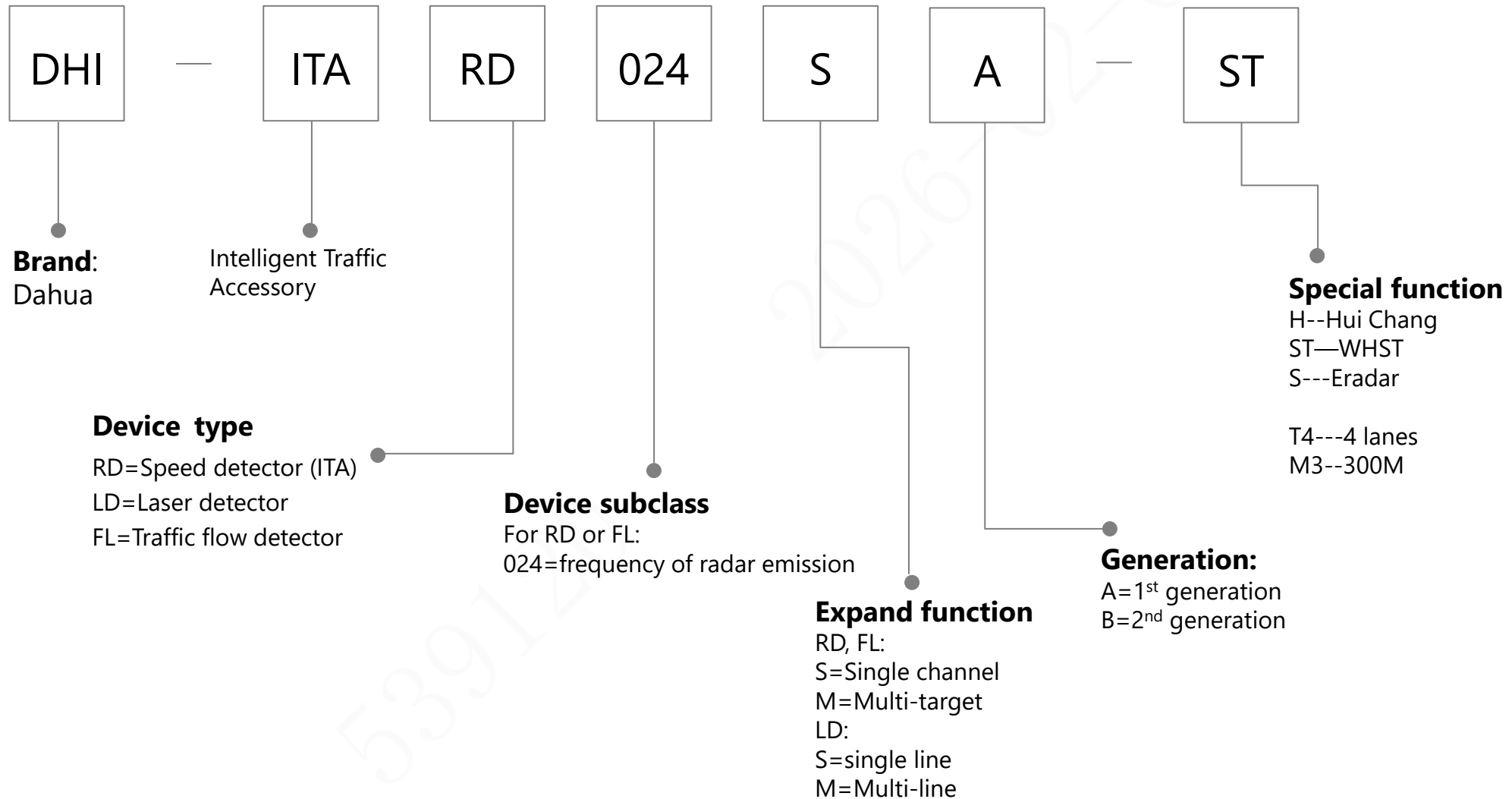
ITS-Traffic Edge Storage (ITSE)



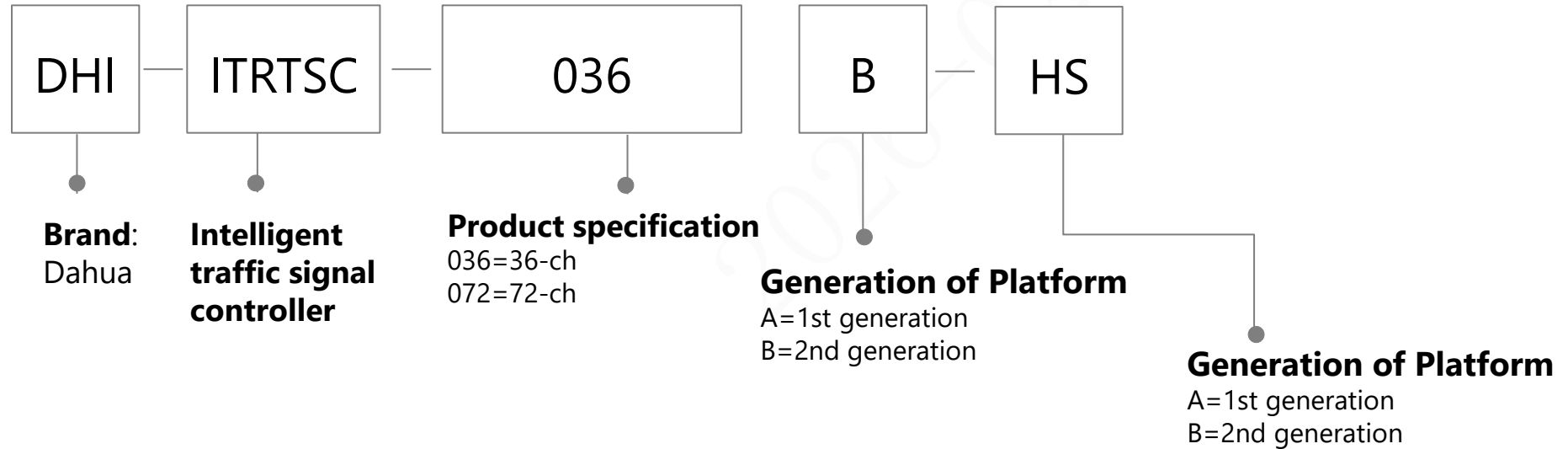
ITS-Traffic Lamp



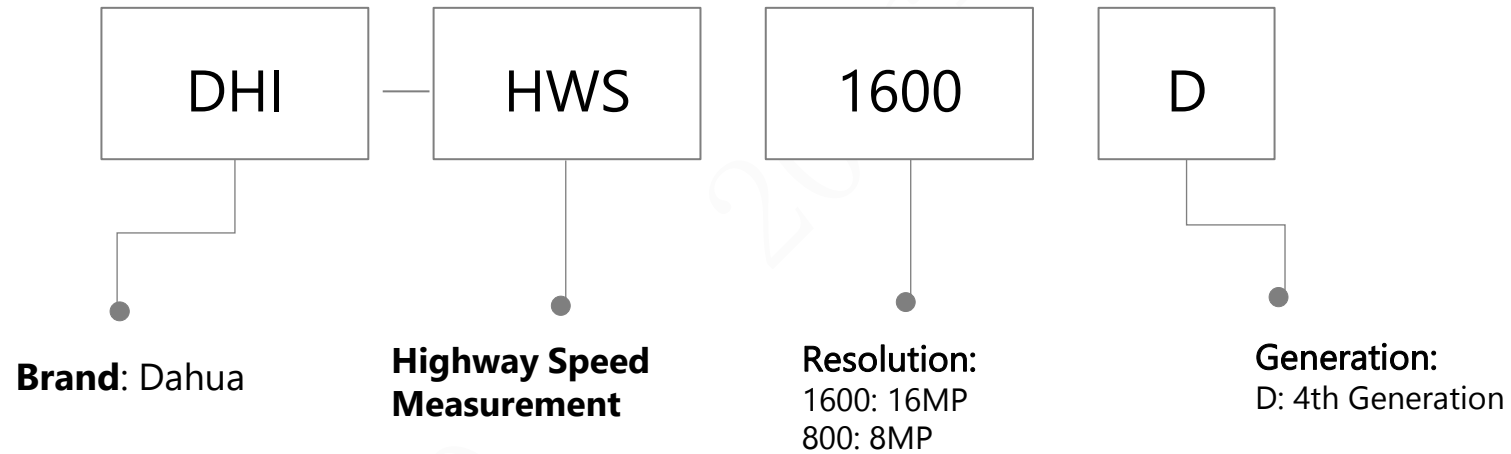
ITS-Traffic Radar



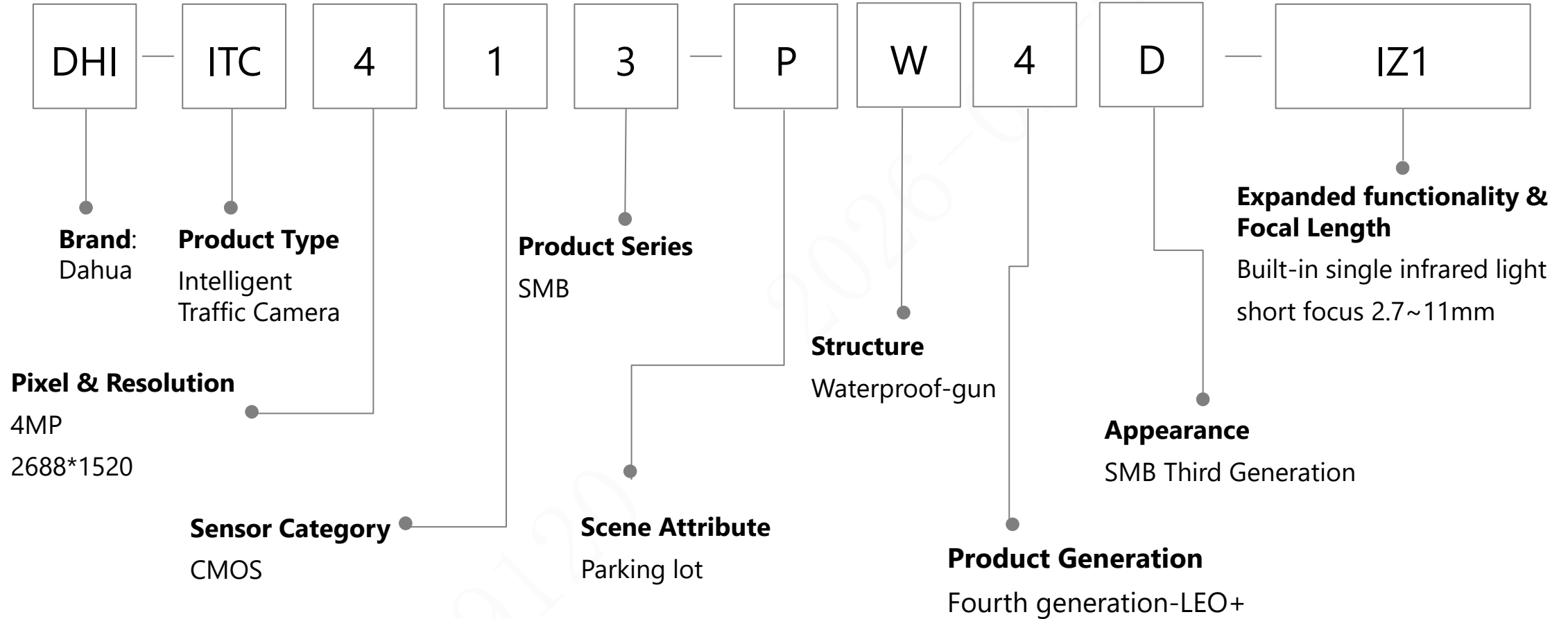
ITS-Traffic Signal Controller



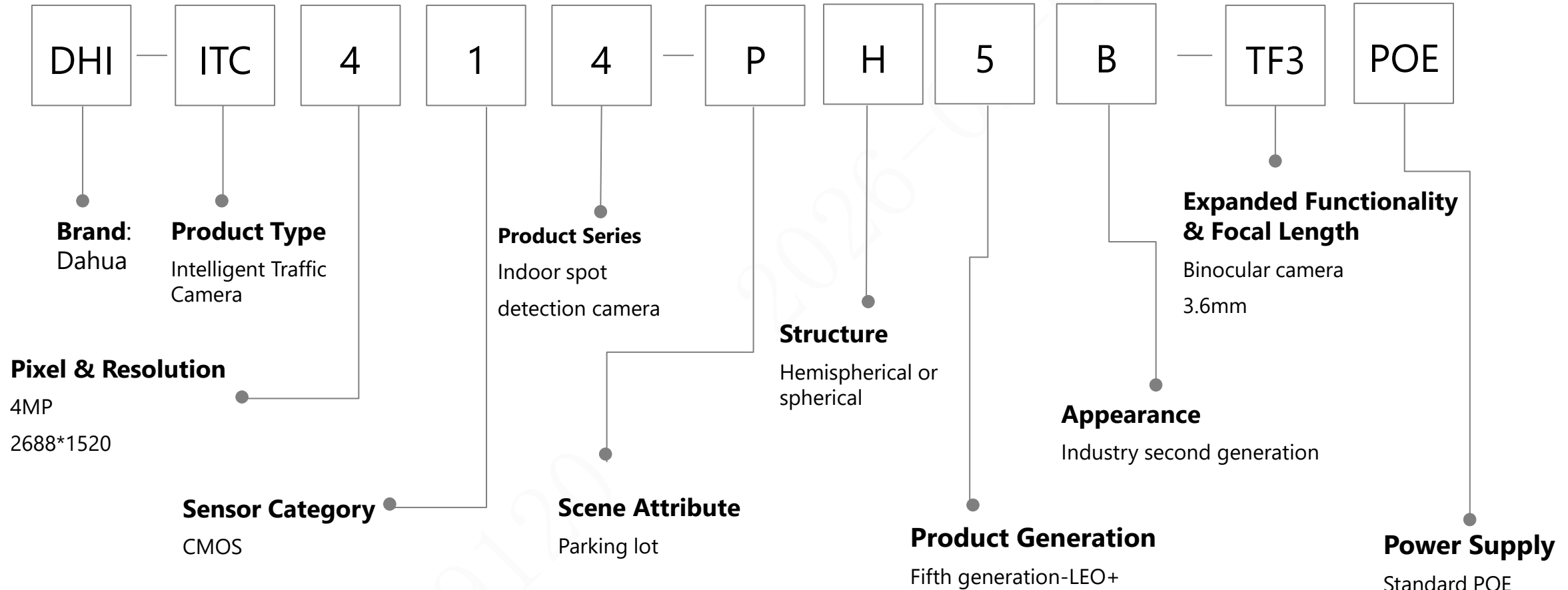
ITS-Speed Measuring System



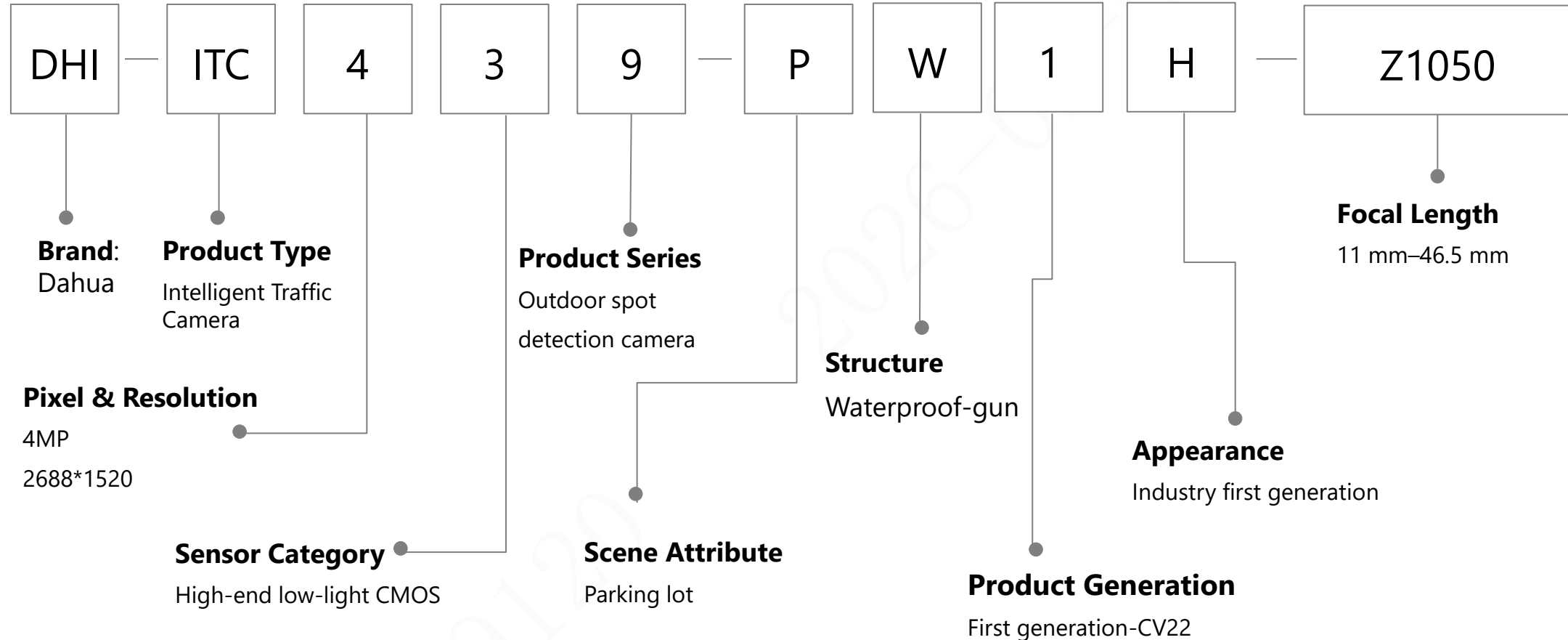
ITS-Access ANPR Camera



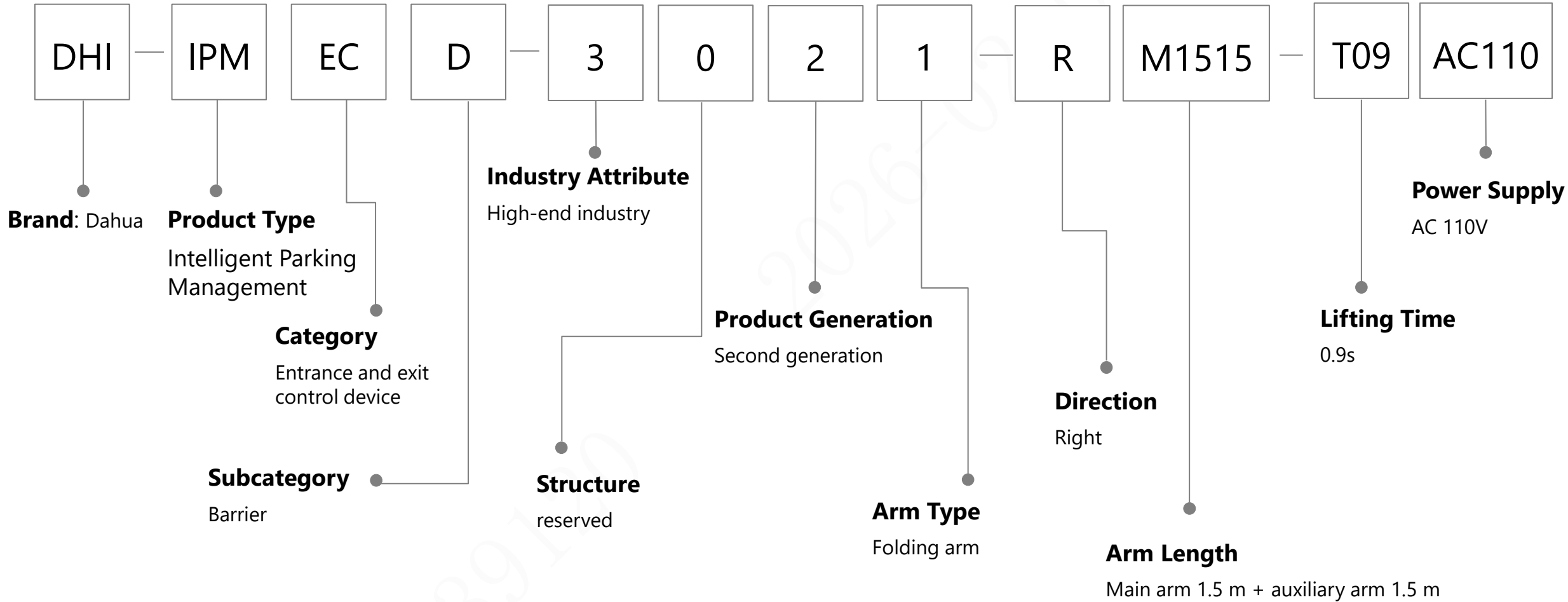
ITS-4MP Spot Detection Camera



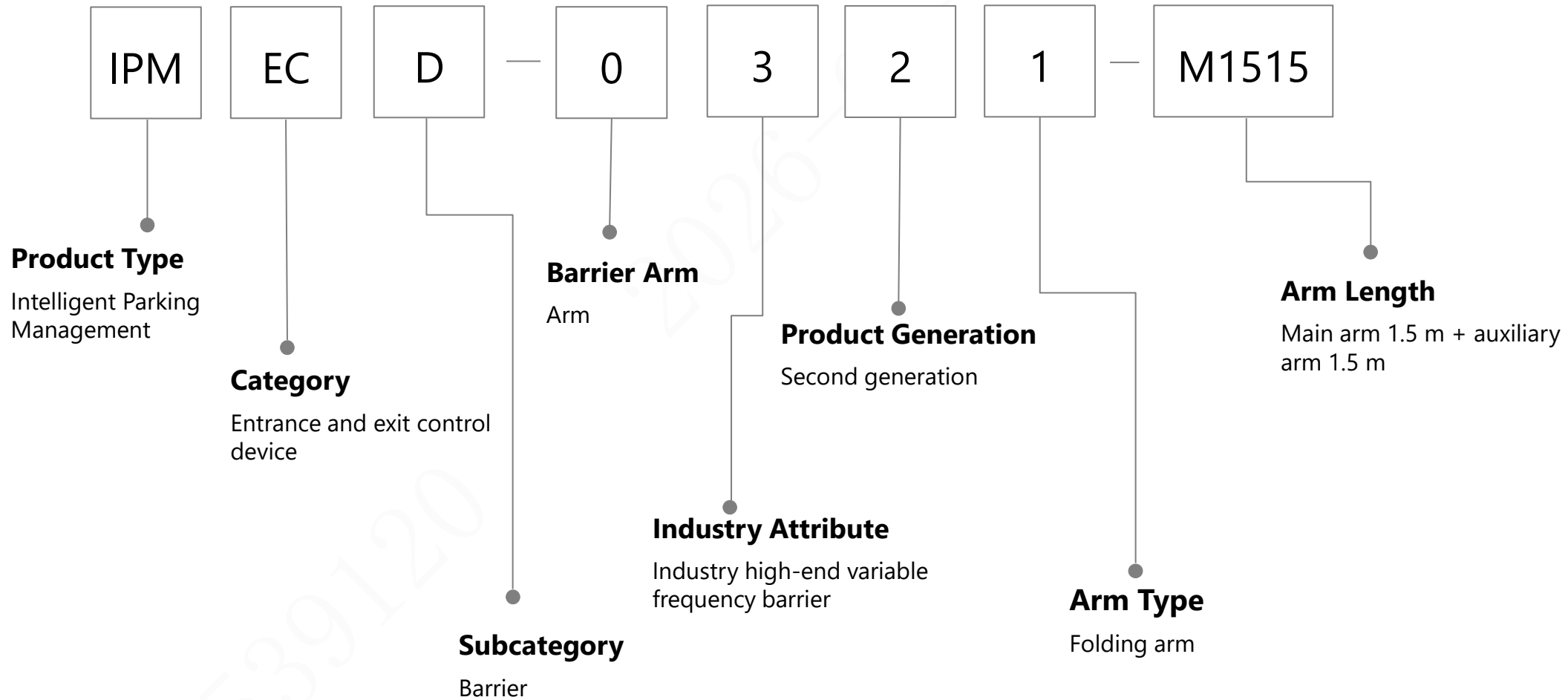
ITS-4MP Spot Detection Camera



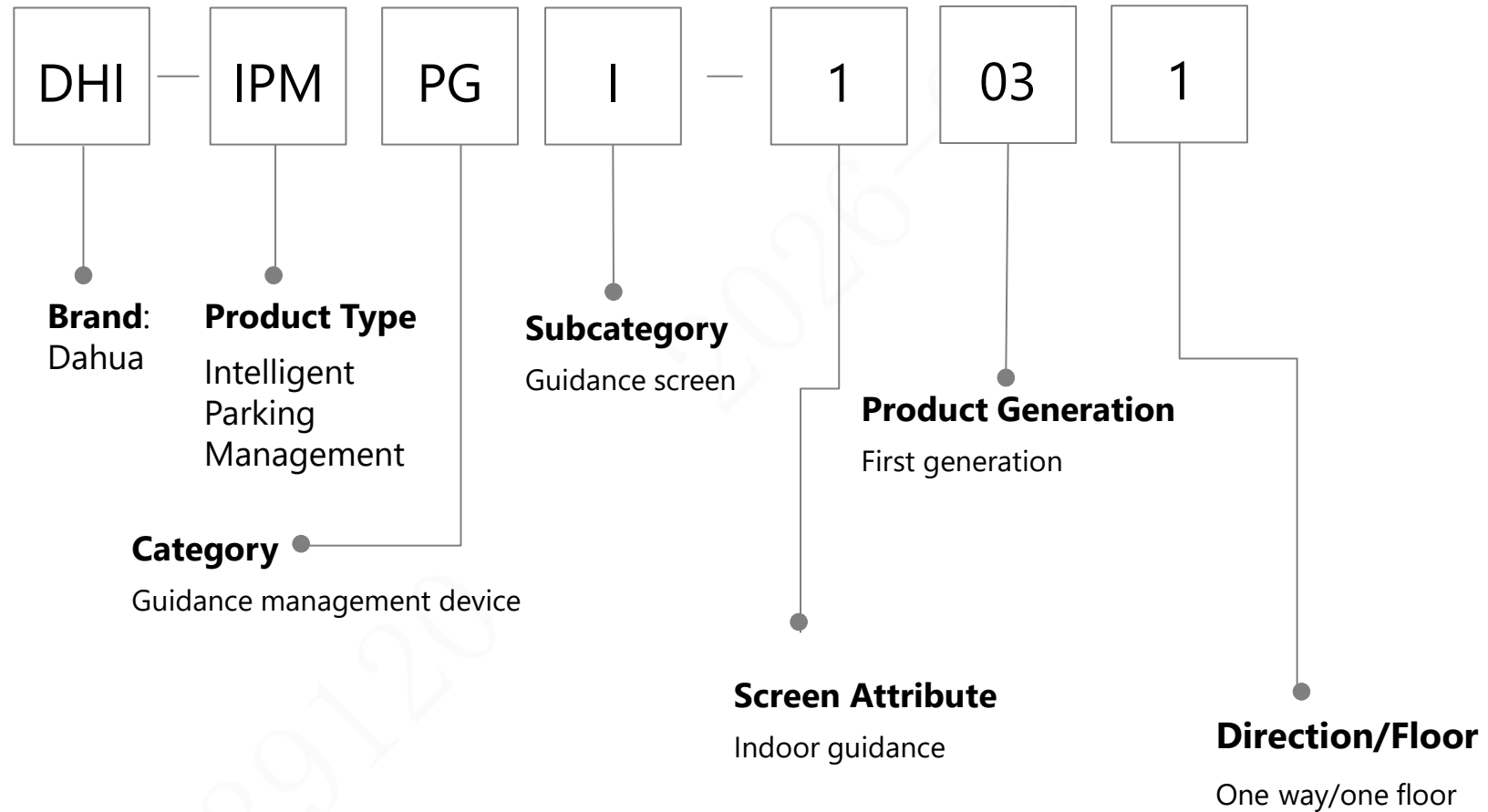
ITS-Access Barrier



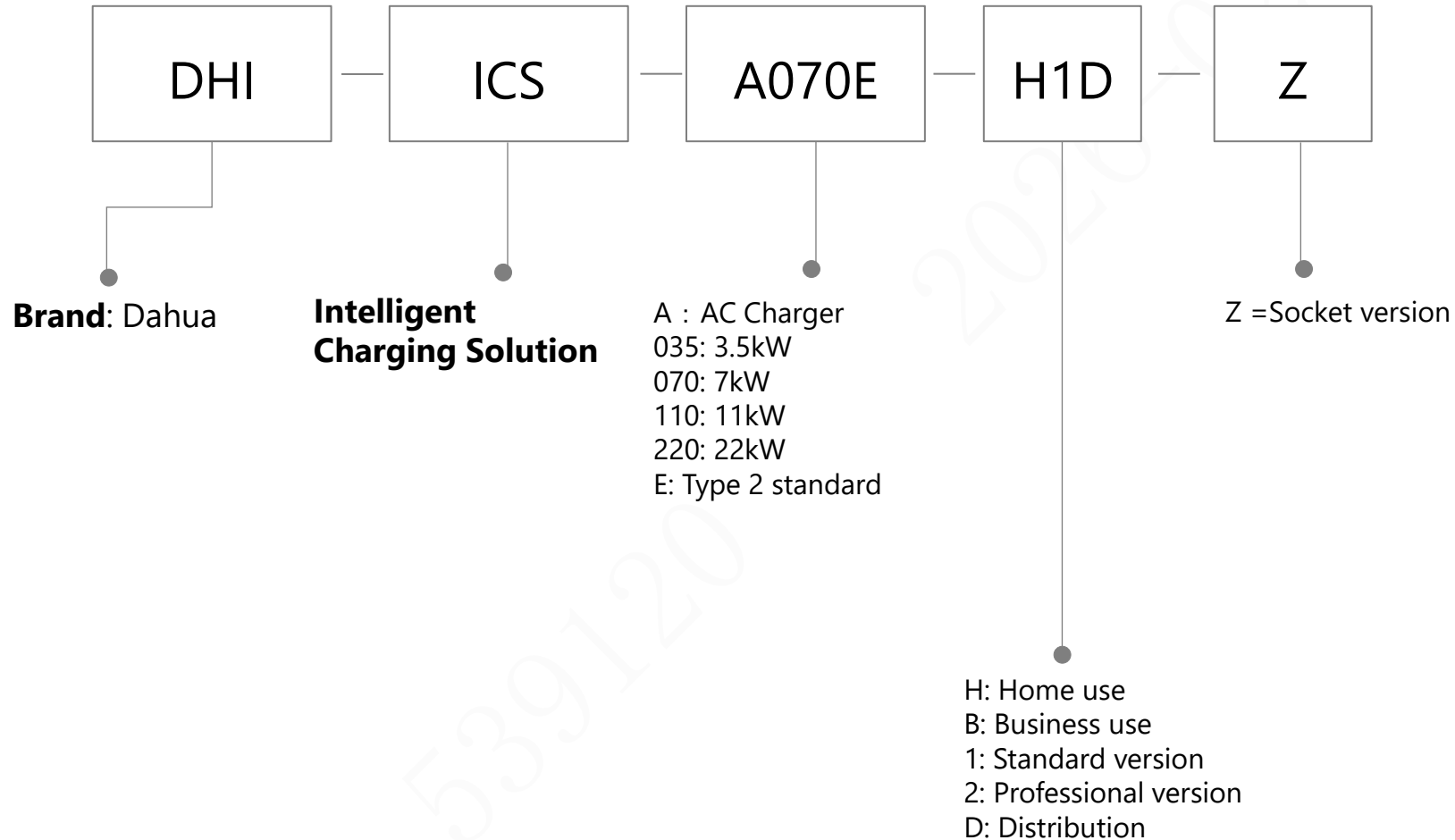
ITS-Folding Arm 1.5m-1.5m



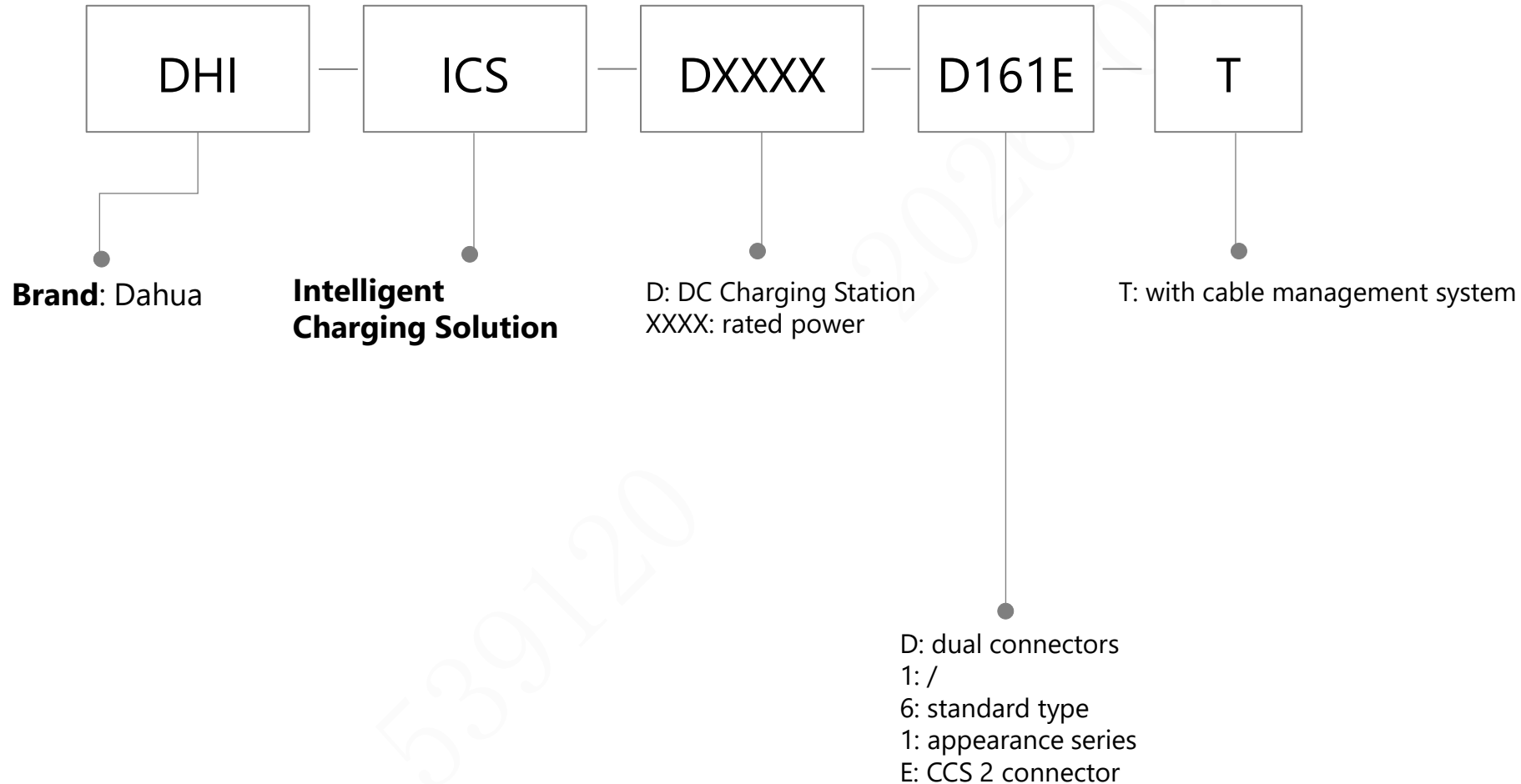
ITS-Indoor Guidance Screen (One-Layer)



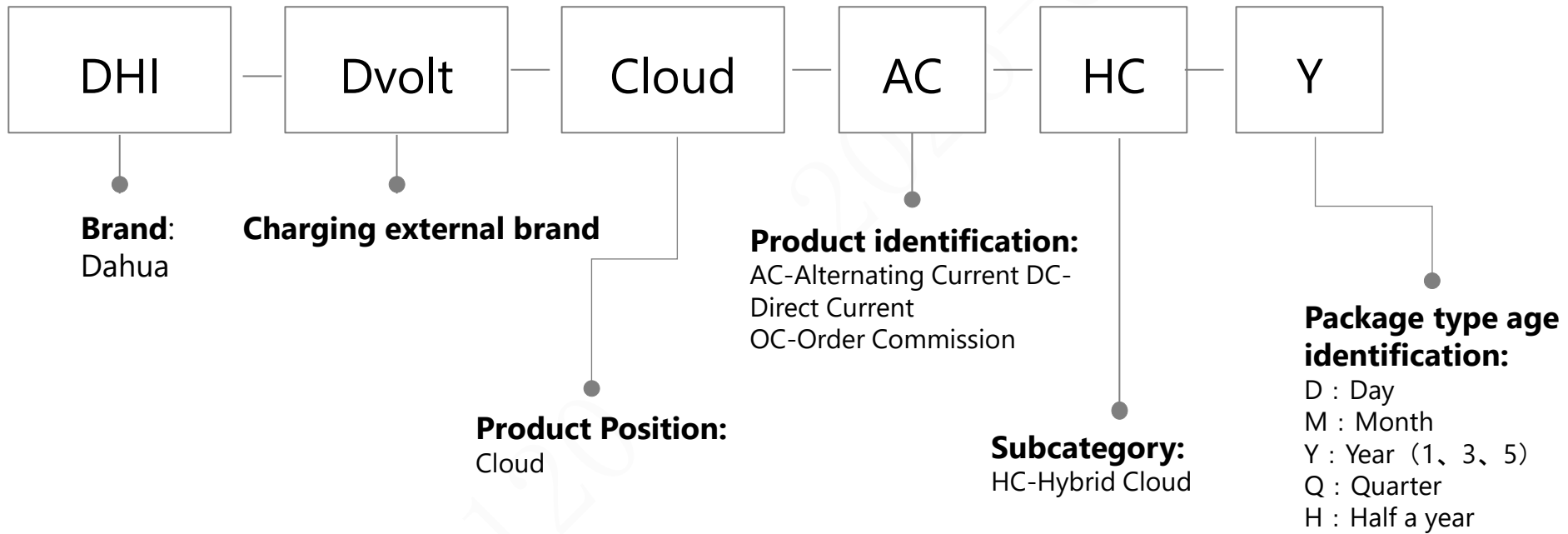
ICS-AC EV Charger



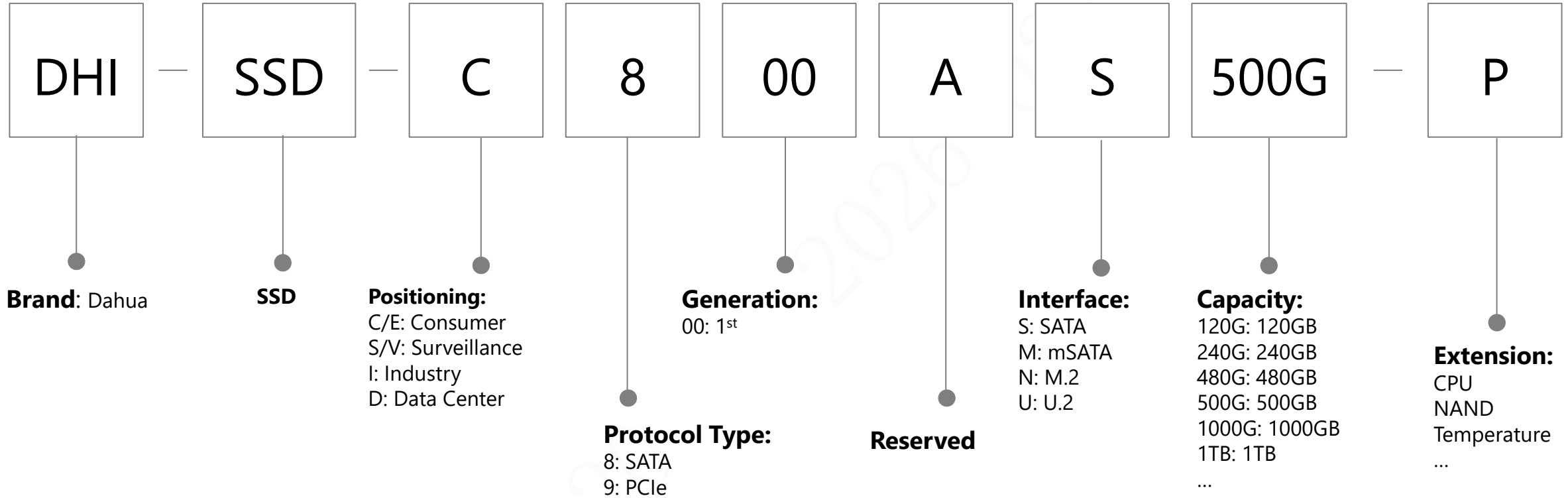
ICS-DC EV Charger



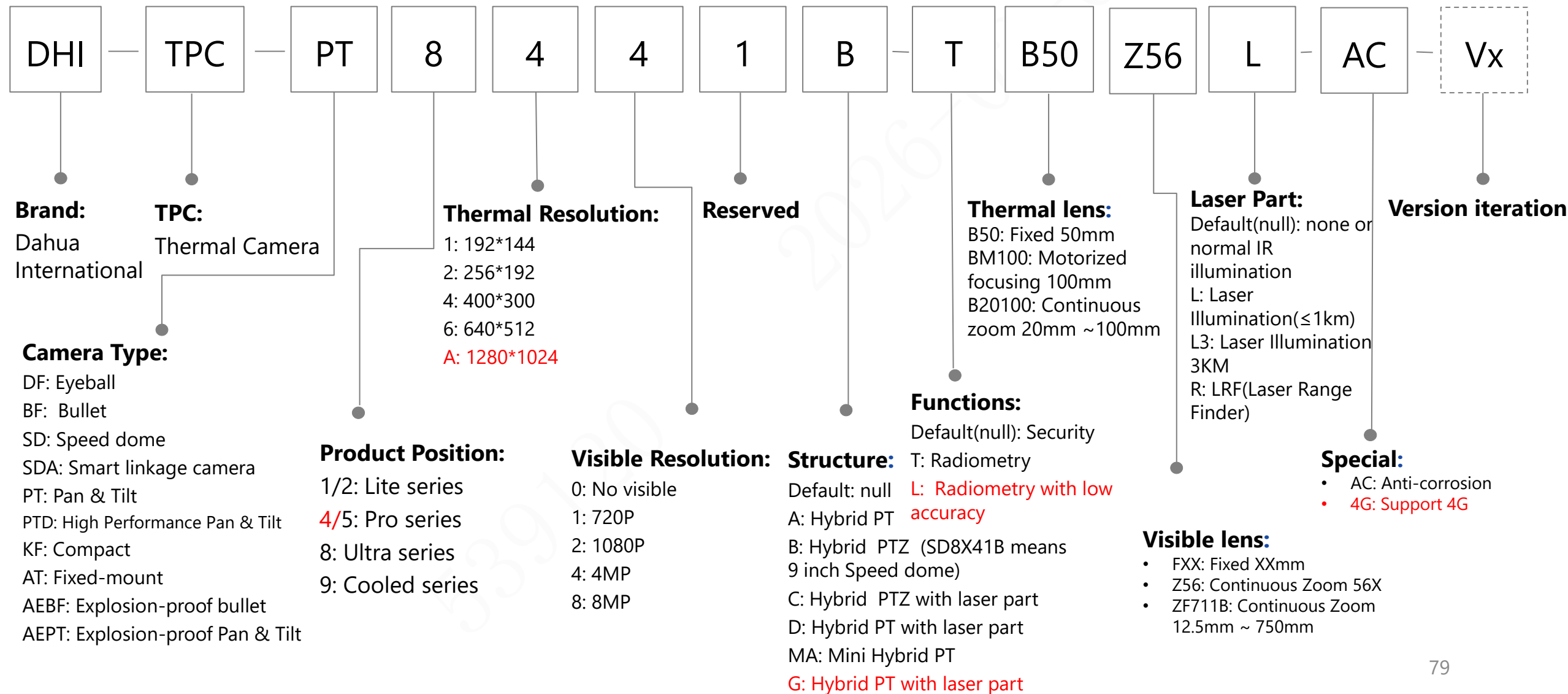
D-Volt Charging System



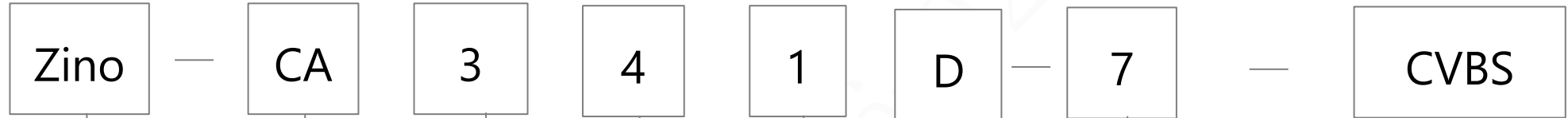
SSD



Thermal Camera



Thermal Module



Public Name:

Zino26 – 26mm size digital Module
Mino17 – 17mm size digital module
Aino – 1280 module

TPC:
(Old version starts with TPC)

Product Type:

CA: Uncooled
CB: Cooled

Series:

5 : Security module
4 : Thermography module
3 : 26mm size module
2 : 21mmx21mm module
1: 17mmx17mm module

Thermal Resolution:

2 : 256*192
4 : 384*288
6 : 640*512
A: 1280x1024

Function:

0: Security
1: Thermography

Network or Digital:

N: network
D: Digital

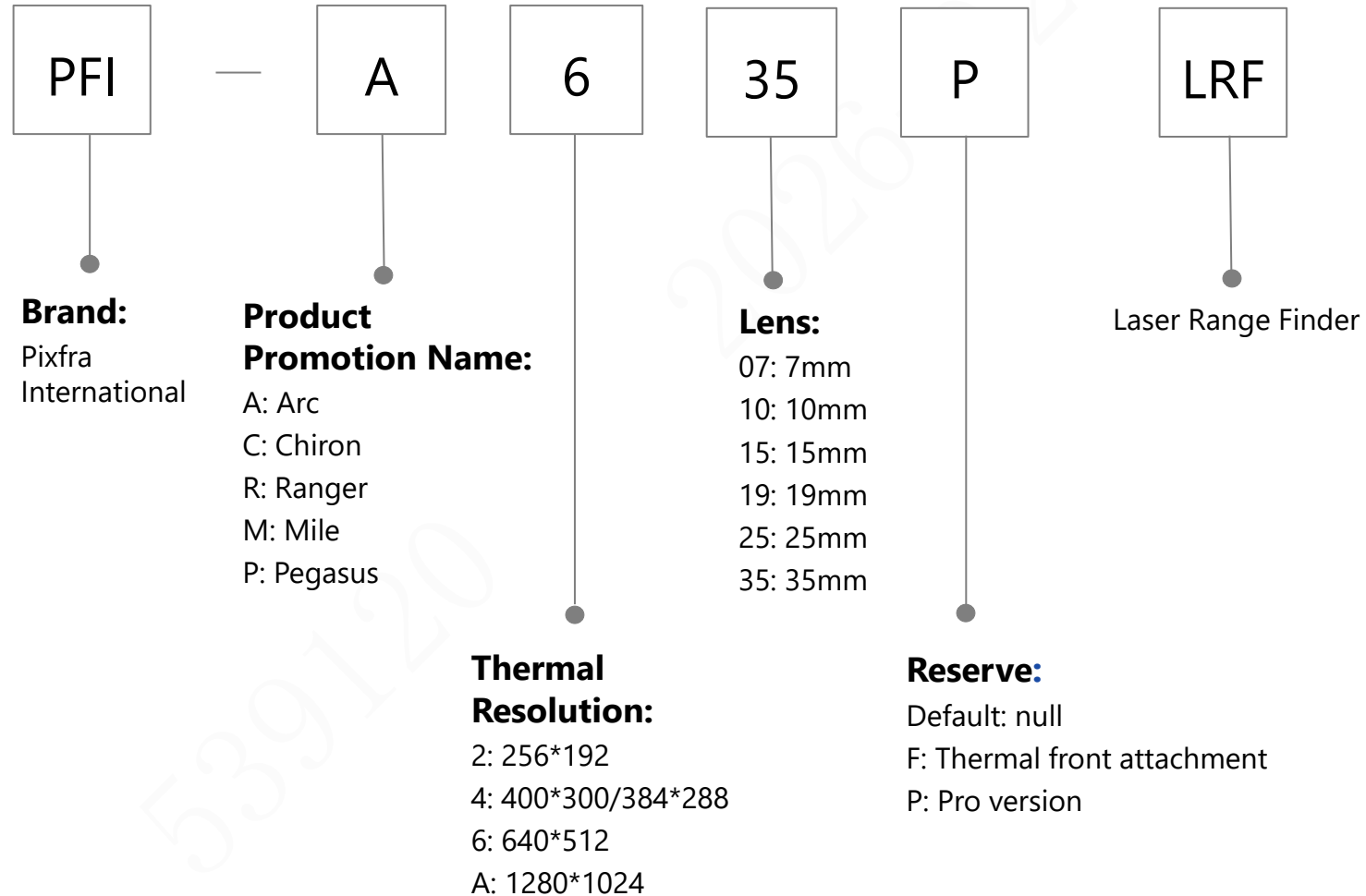
Thermal Lens:

Null: no lens
7: 7/7.5mm
13: 13mm
.....

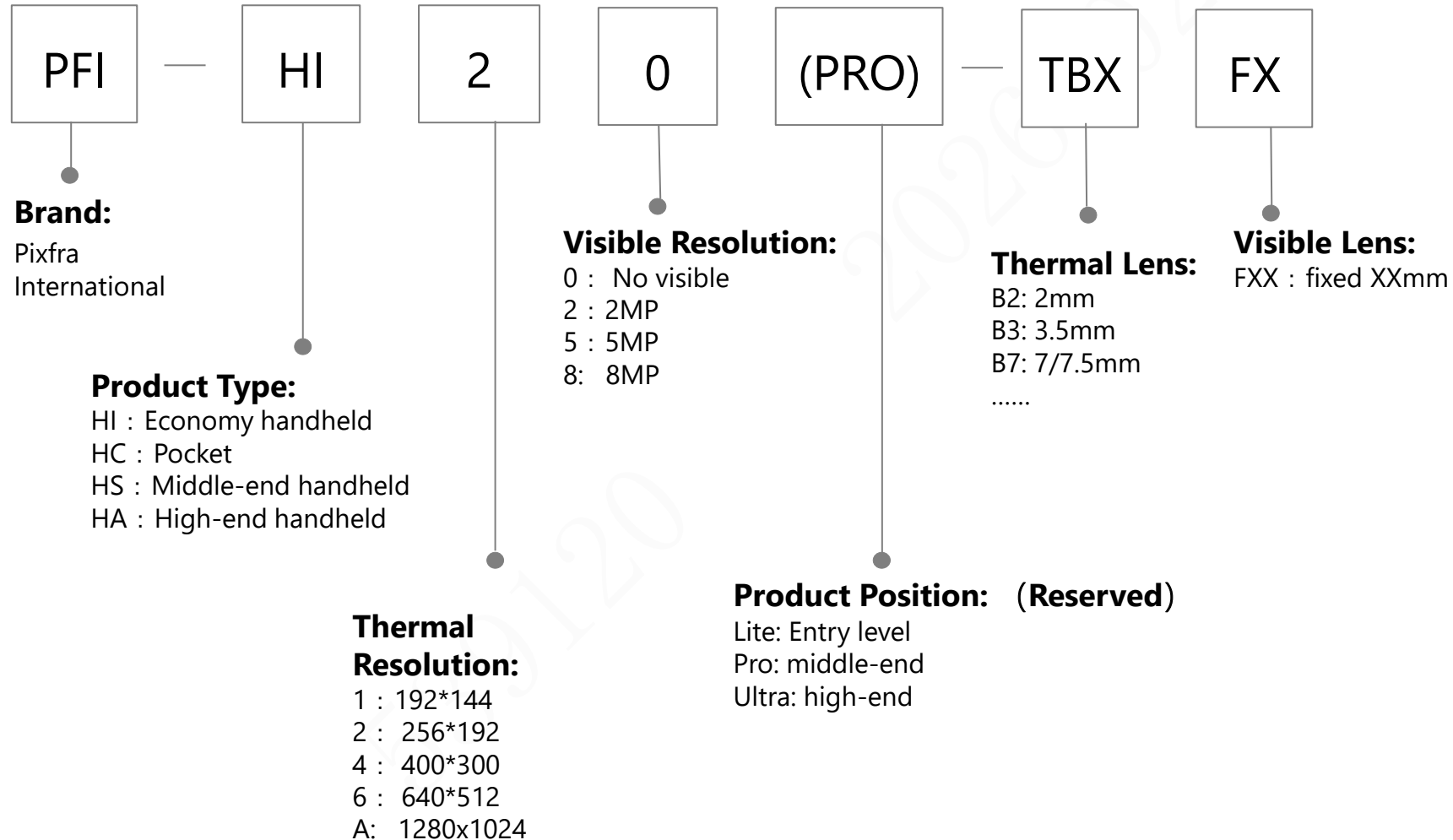
Interface:

USB
CVBS
HDMI

Thermal Camera-PVS



Handheld Thermography



Monitor-CCTV



DHI

Brand:
Overseas Dahua

LM

LED Monitor

22

Size:
19: 19"
22: 22"
.....
98: 98"

L

Positioning:
S: High-end level (metal case, high protection)
F: Standard level (plastic case)
H: Industry level (plastic case)
J: Energy-saving model (plastic case, long lifespan)
L: Entry level (plastic case, cost-effective)

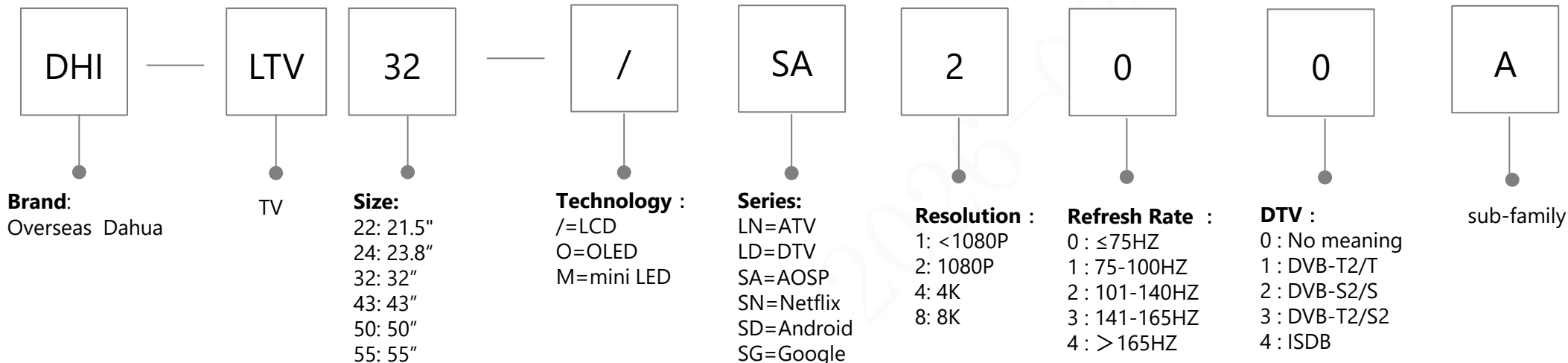
200

Resolution :
100 < 1080P
200 = 1080P
400 = 4K

N

Reserved

监视器规格型号命名规则											
		必填		必填	必填		必填	必填	必填	必填	选填
	字段号	①		②	③		④	⑤	⑥	⑦	⑧
液晶监视器产品 (监视器)	标识	公司标识	-	产品线标识	尺寸标识	-	产品定位	分辨率	预留1	预留2	功能外观
	实例	DH	-	LM	22	-	S	2	0	0	缺省/A-Z
	说明	DH=大华品牌 DHI=海外大华品牌 缺省=海外中性		LM=液晶监视器	19=尺寸信息19寸 22=尺寸信息22寸 24=尺寸信息24寸 98=尺寸信息98寸		S=高端款(金属壳,多接口) F=主推款(塑壳,多接口) H=流量款(塑壳,带Speaker) J=节能款(低功耗长寿命) L=入门款(塑壳,H+V) V=项目预留	1 < 1080P 2=FHD 3=QHD 4=UHD 5=5K	位号预留,默认0	位号预留,默认0	C:曲面屏 N、Y:预留,用于市场差异化宣传
典型范例		DHI-LM22-J200									

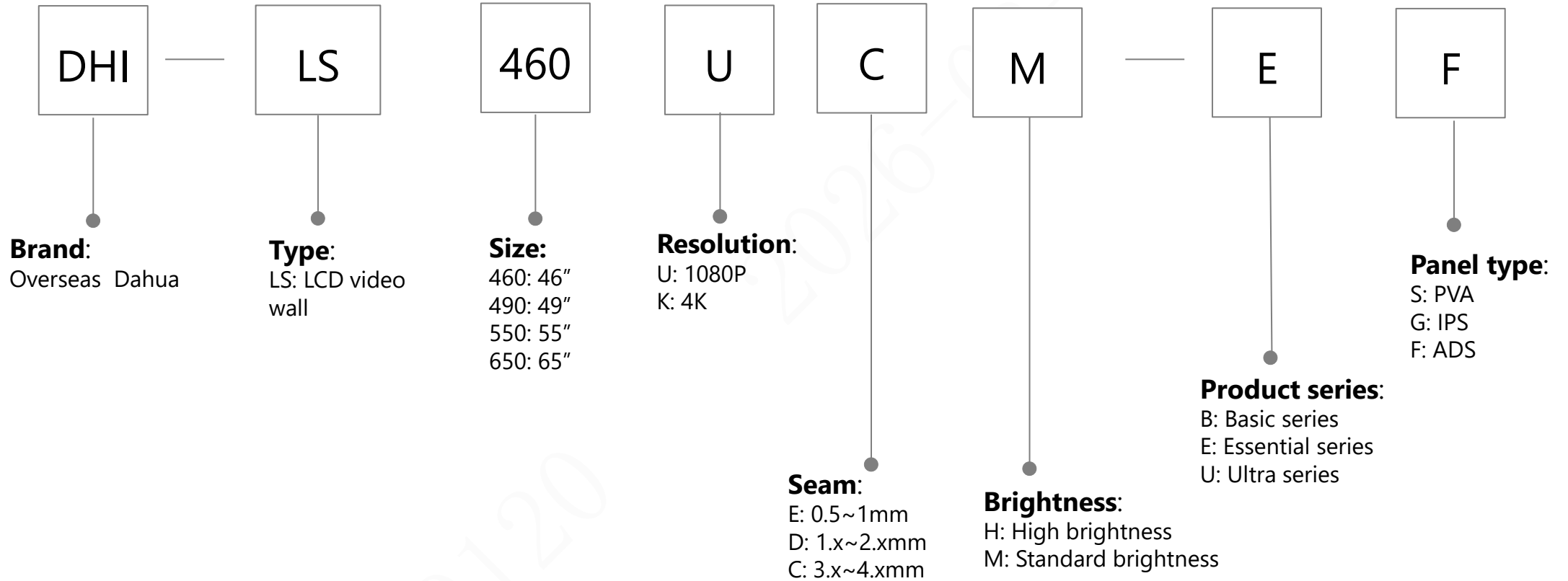


电视机外部型号命名规则

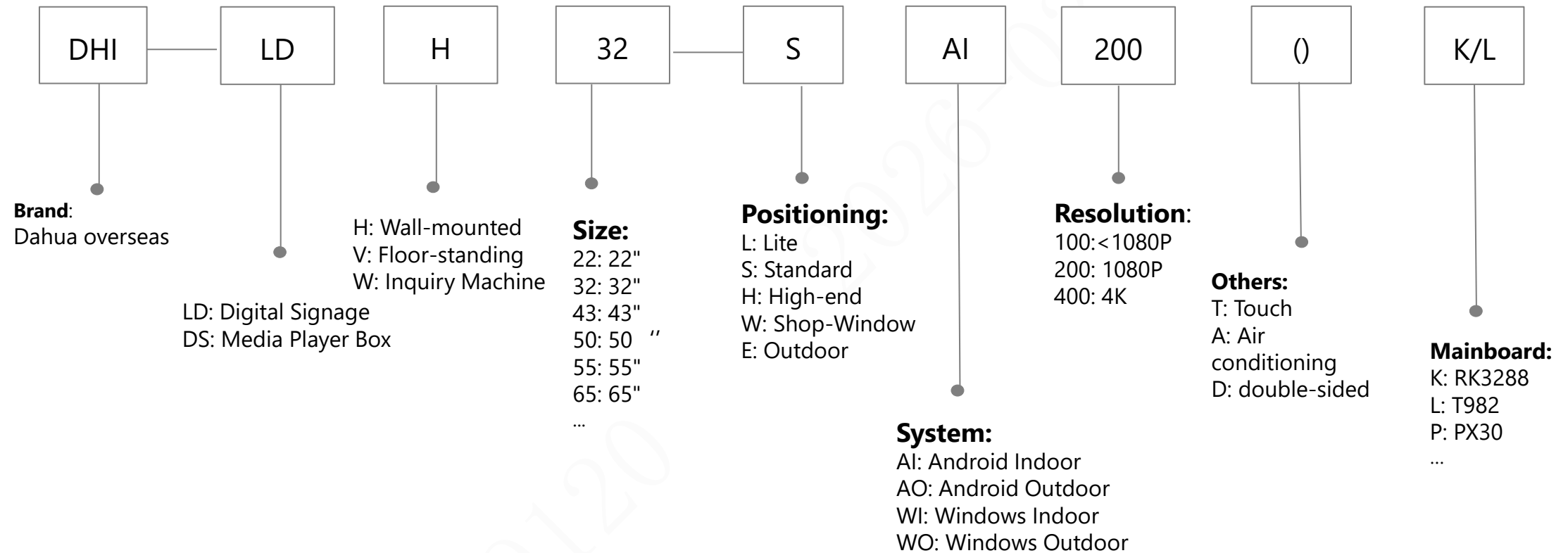
	必填		必填	必填		选填	必填	选填 (D/G必填)	必填	必填	必填	选填
字段号	①		②	③		④	⑤	⑥	⑦	⑧	⑨	⑩
标识	公司标识		产品线标识	尺寸标识		技术	性能	系列名称	分辨率	刷新率	制式	缺省
实例	DHI	-	LTV	32	-	/	SA	/	2	0	0	
说明	DH=大华品牌 DHI=海外大华品牌 FSI=丰视海外 H=国内中性 缺省=海外中性		LTV=电视机	17=尺寸信息17寸 19=尺寸信息19寸 22=尺寸信息22寸 98=尺寸信息98寸		/=LCD O=OLED M=mini LED	LN=模拟ATV LD=数字DTV SA=智能 (AOSP) SN=智能 (Linux+Netflix) SD=智能 (Android) SG=智能 (Google)		1≤720P 2=FHD/WFHD/1600*900 3=QHD/WQHD 4=UHD/WUHD	0:≤75HZ 1: 75-100HZ 2: 101-140HZ 3:141-165HZ 4: > 165HZ	0-无含义 1-DVB-T2/T 2-DVB-S2/S 3-DVB-T2/S2 4-ISDB	

DHI-LTV32-SA200

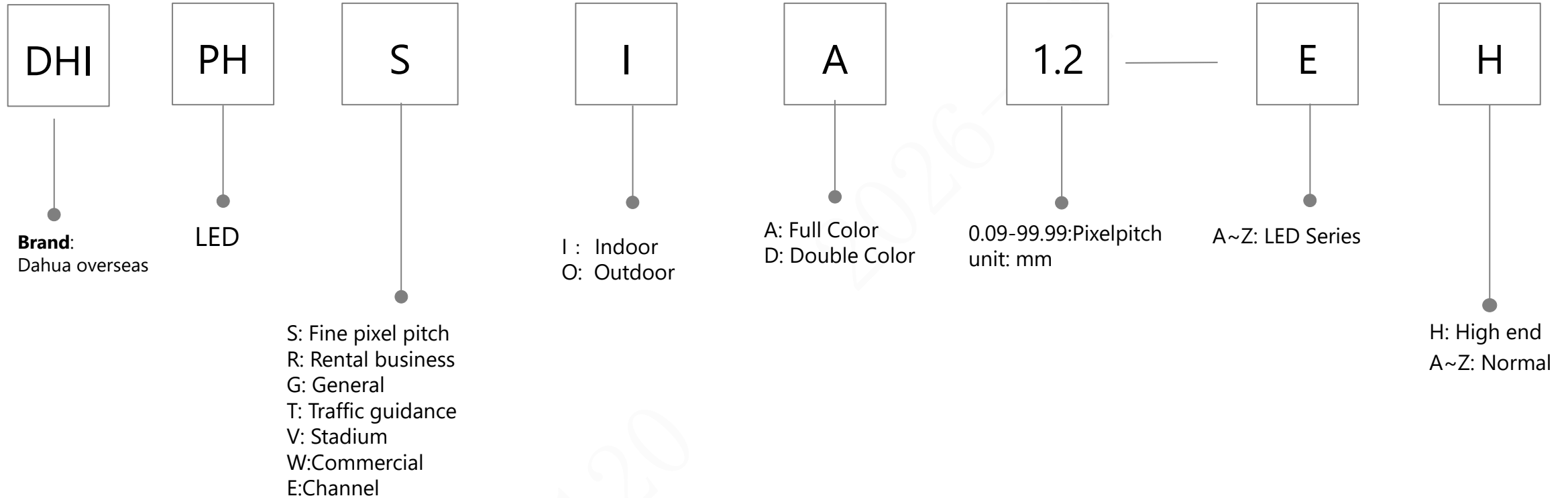
LCD Video Wall



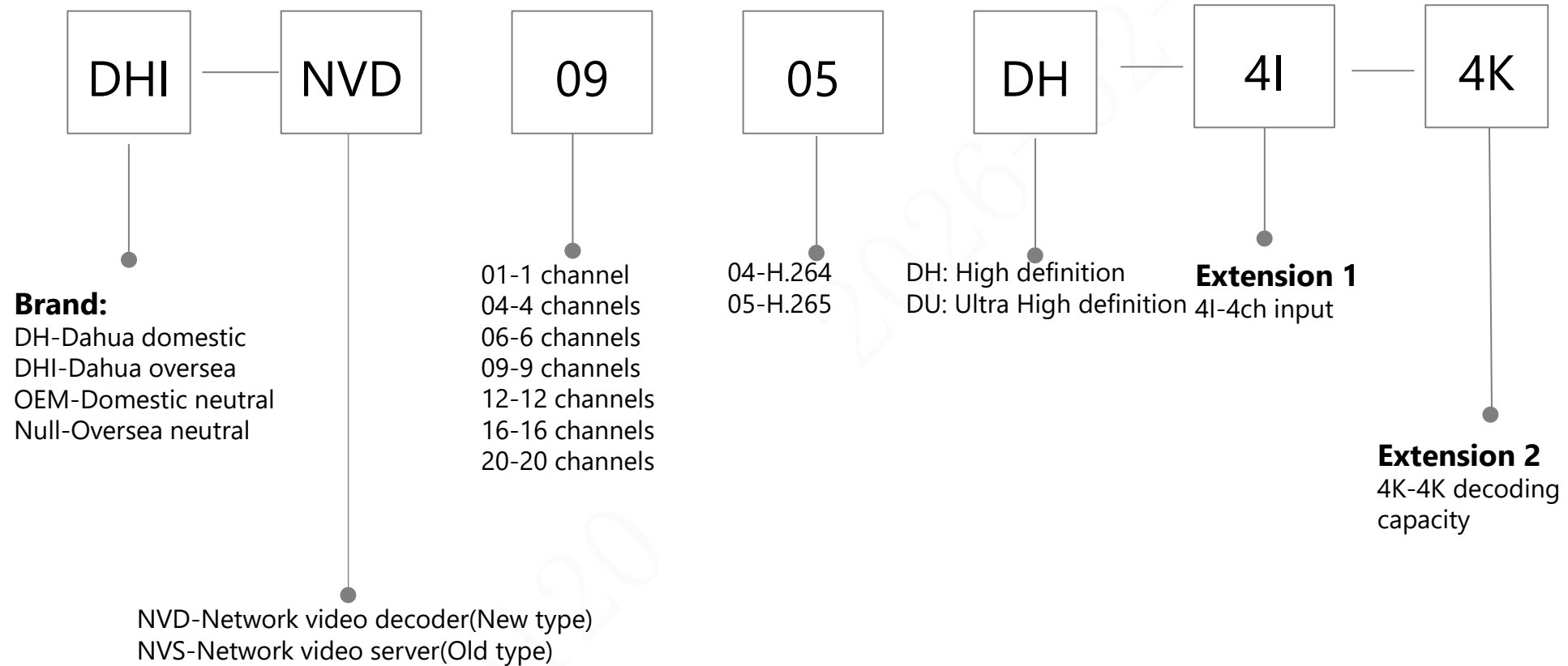
Digital Signage



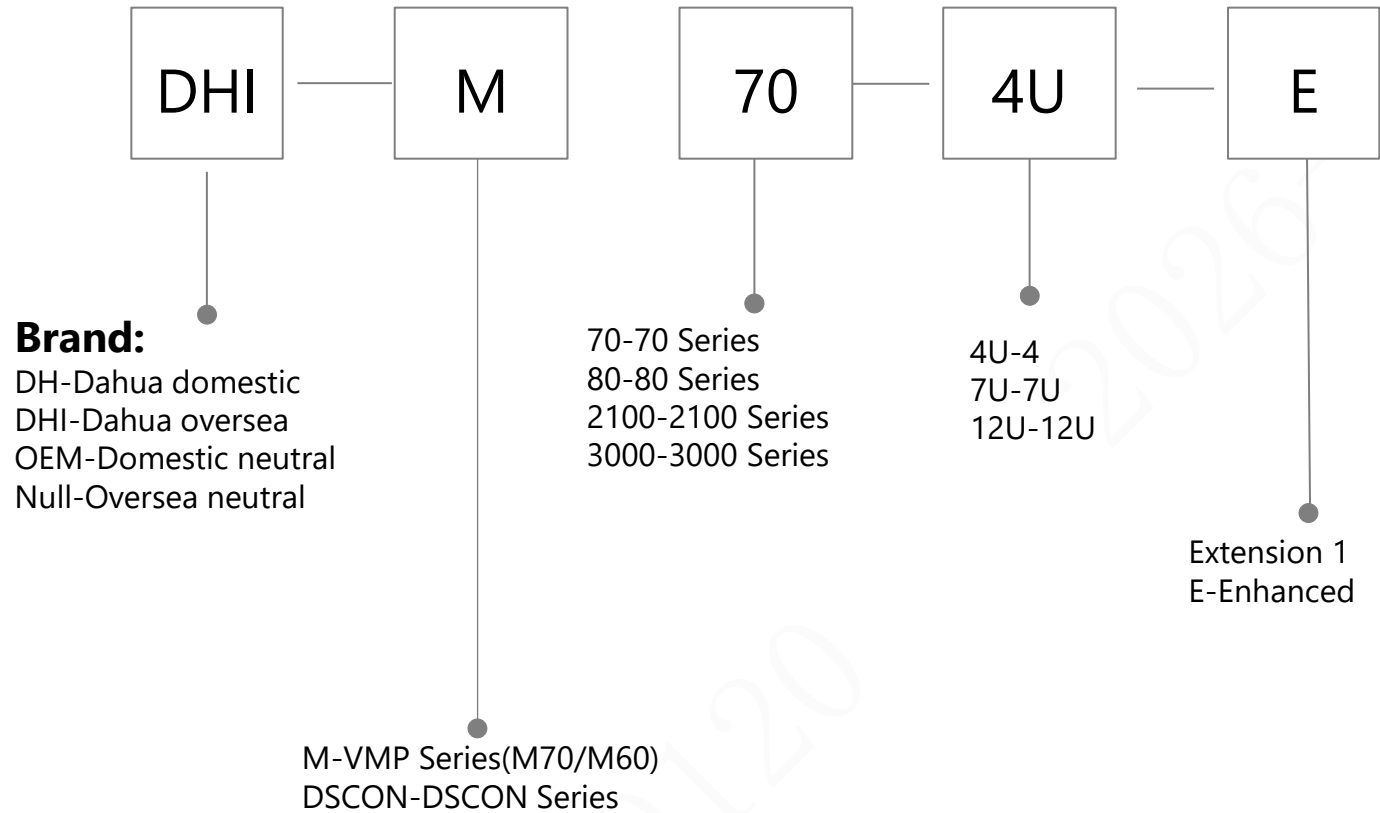
LED Display



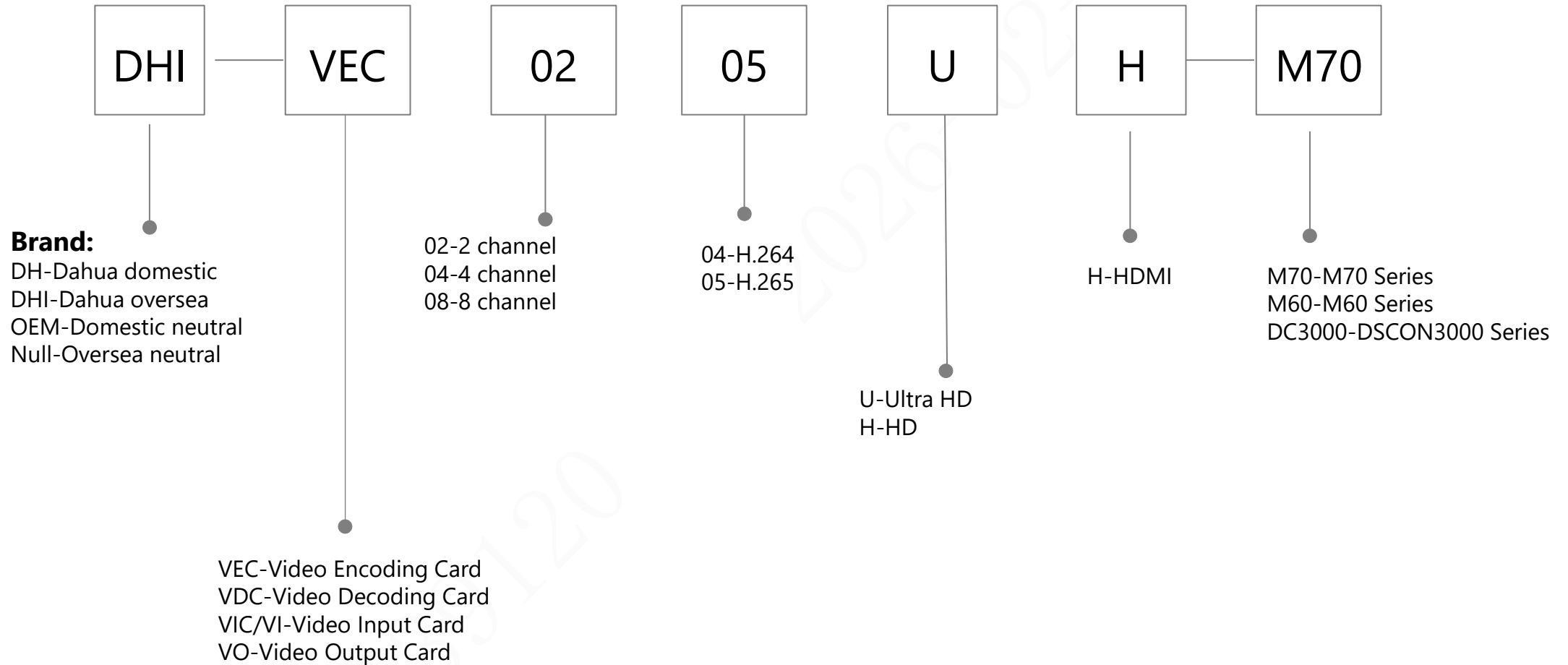
Decoder



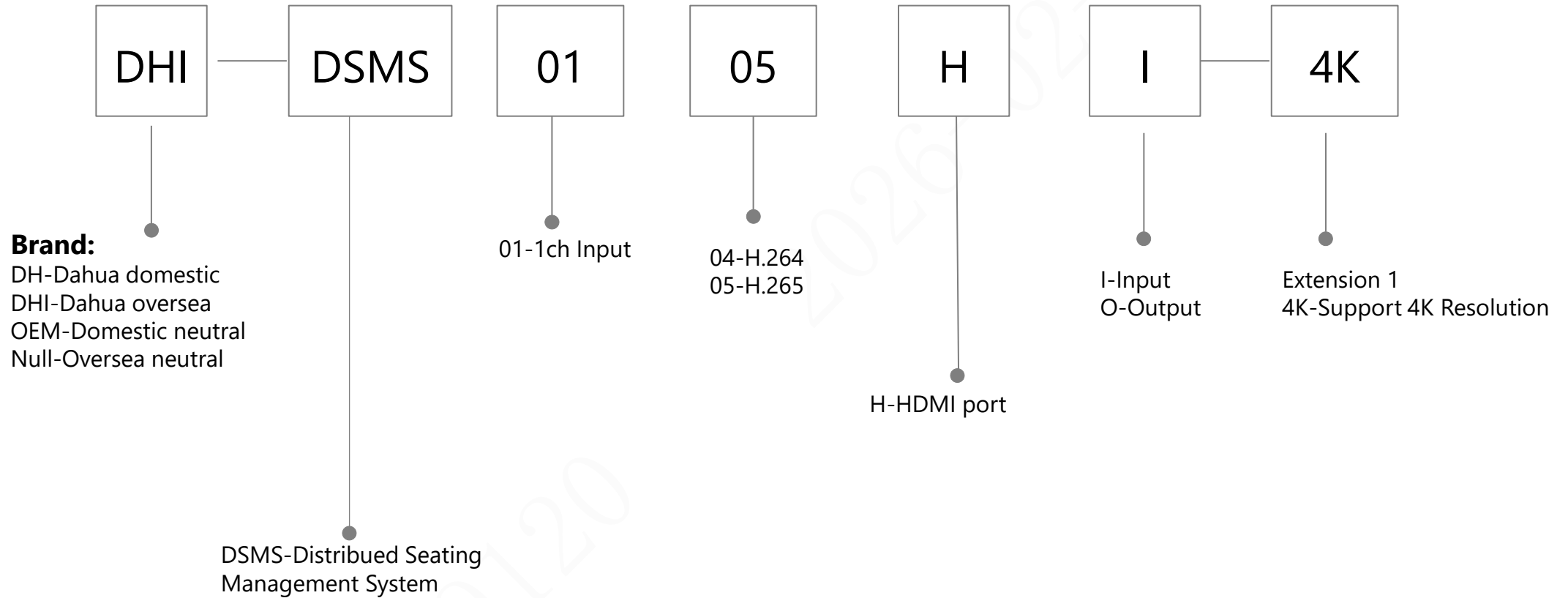
Matrix--Mainframe box



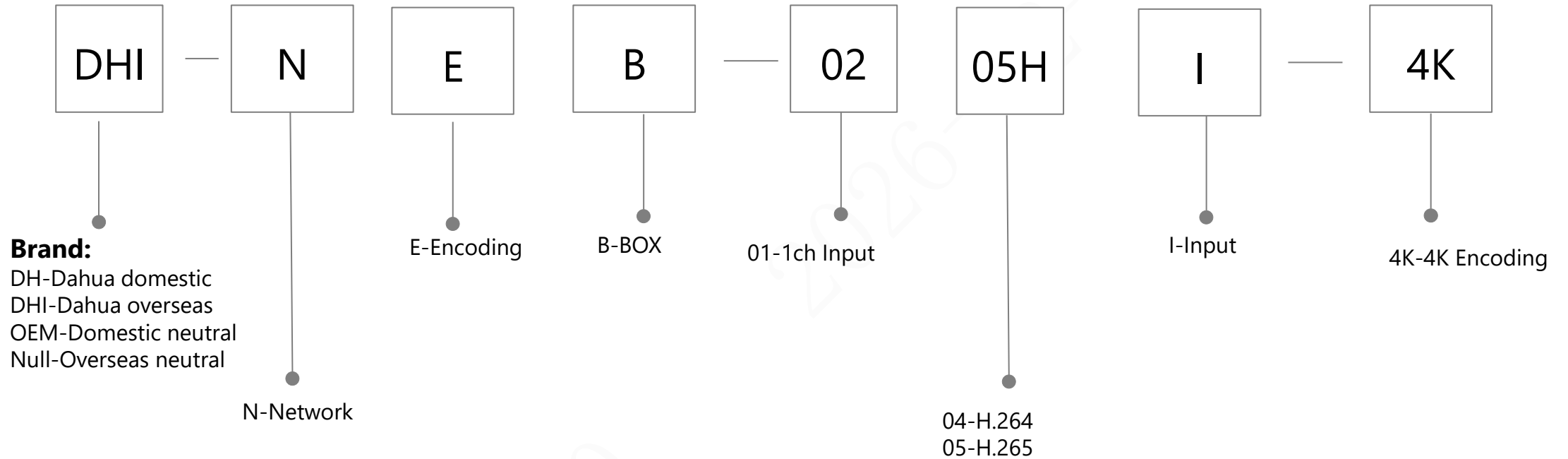
Matrix--Input/Output Card



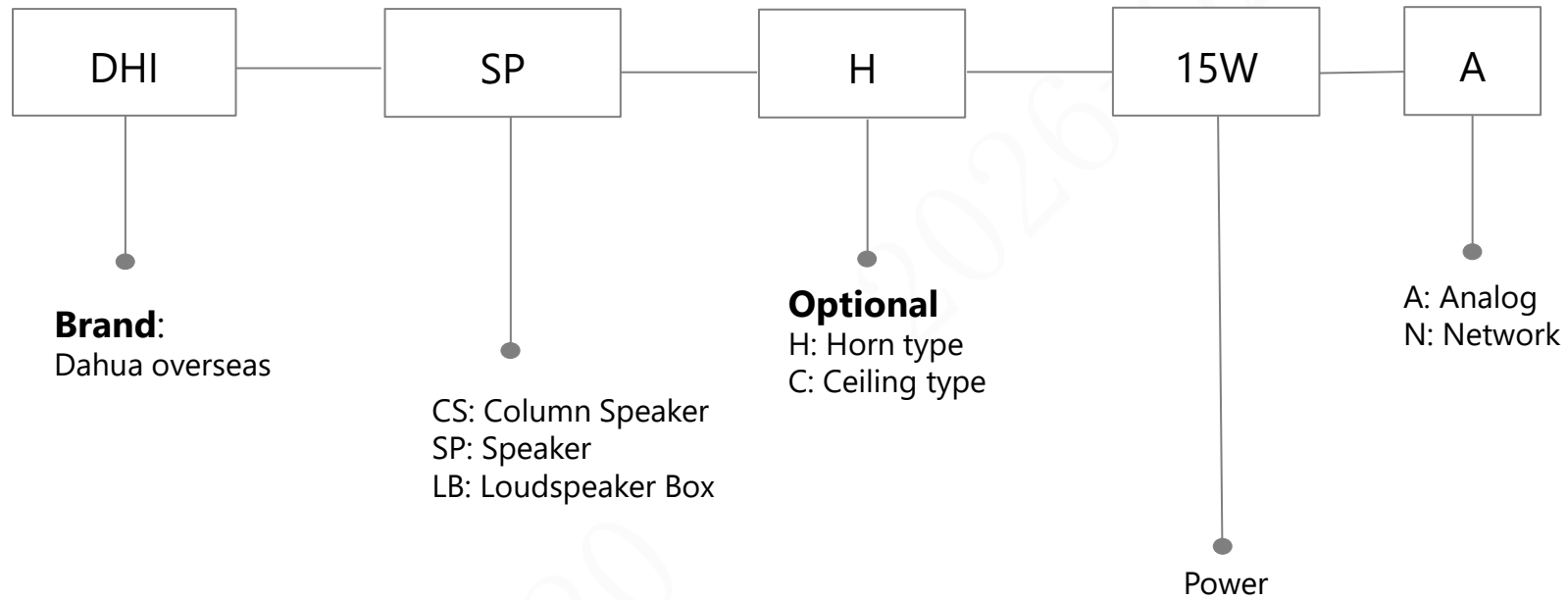
AVoIP



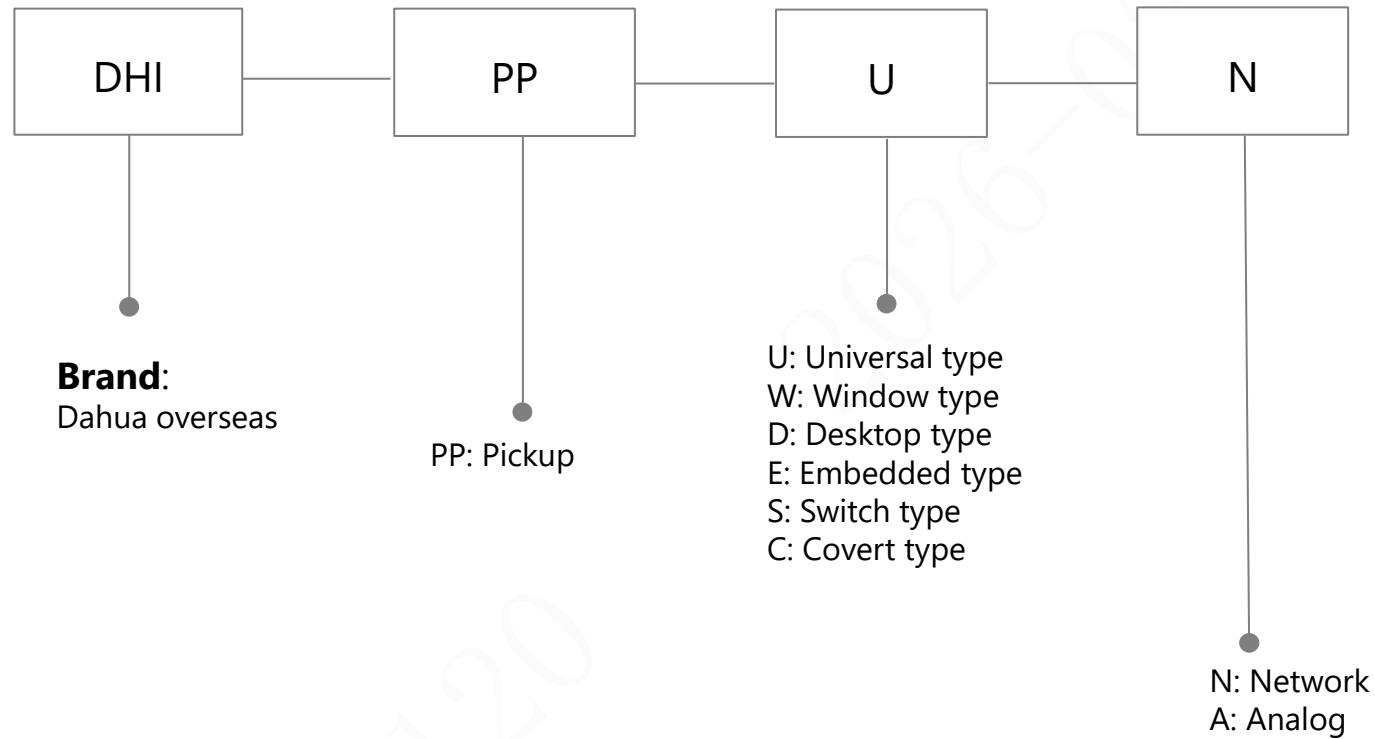
AVoIP



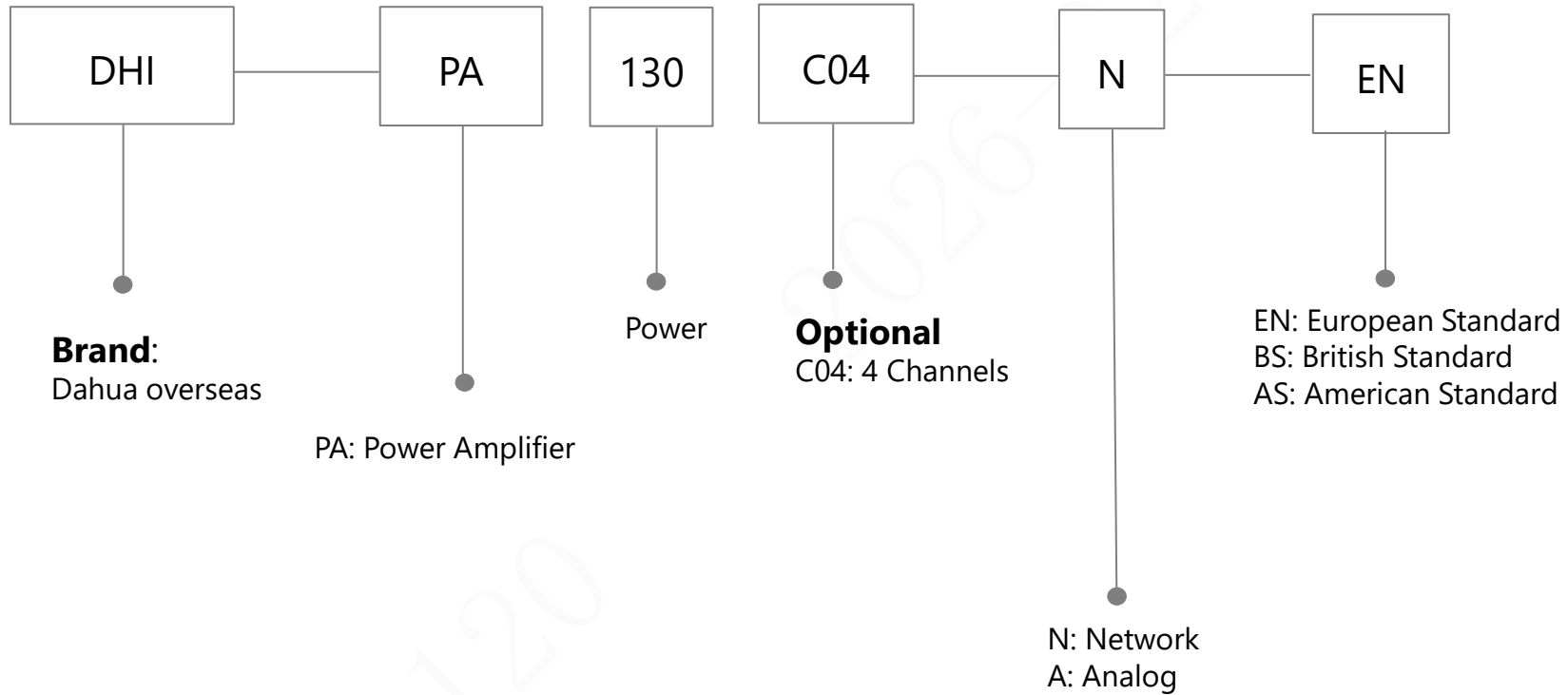
Speaker



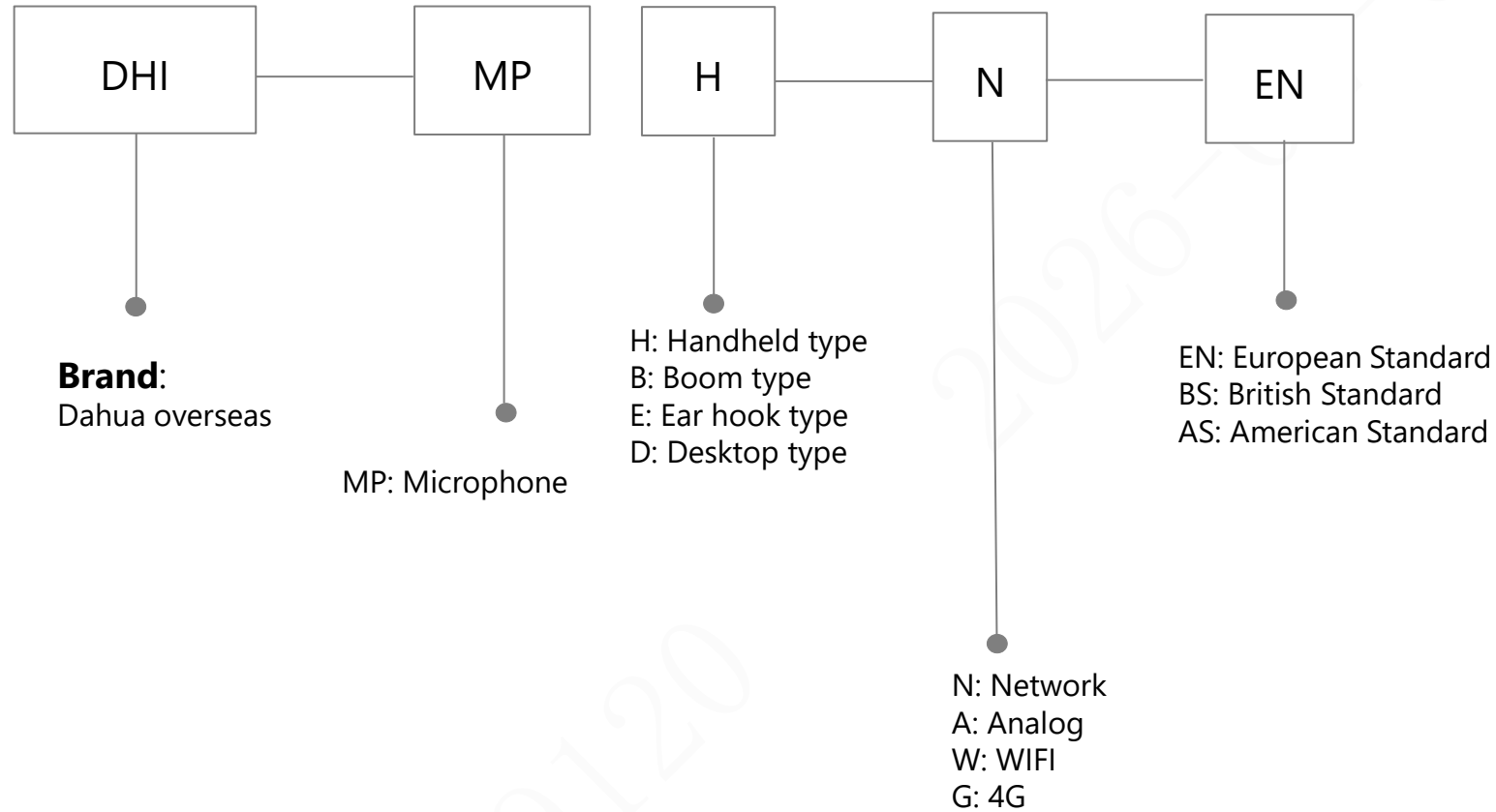
Pickup



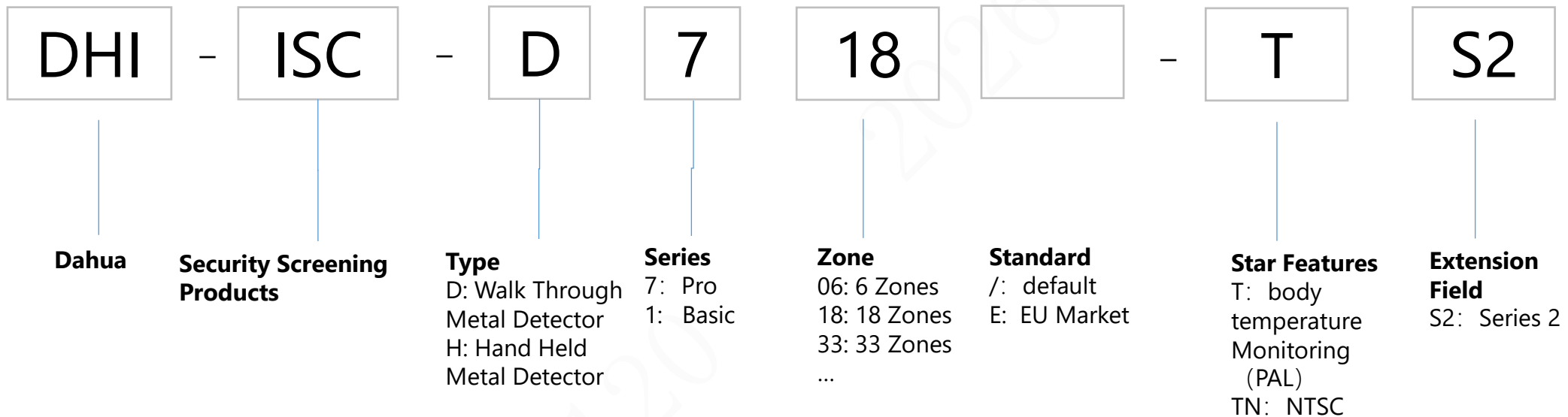
Power Amplifier



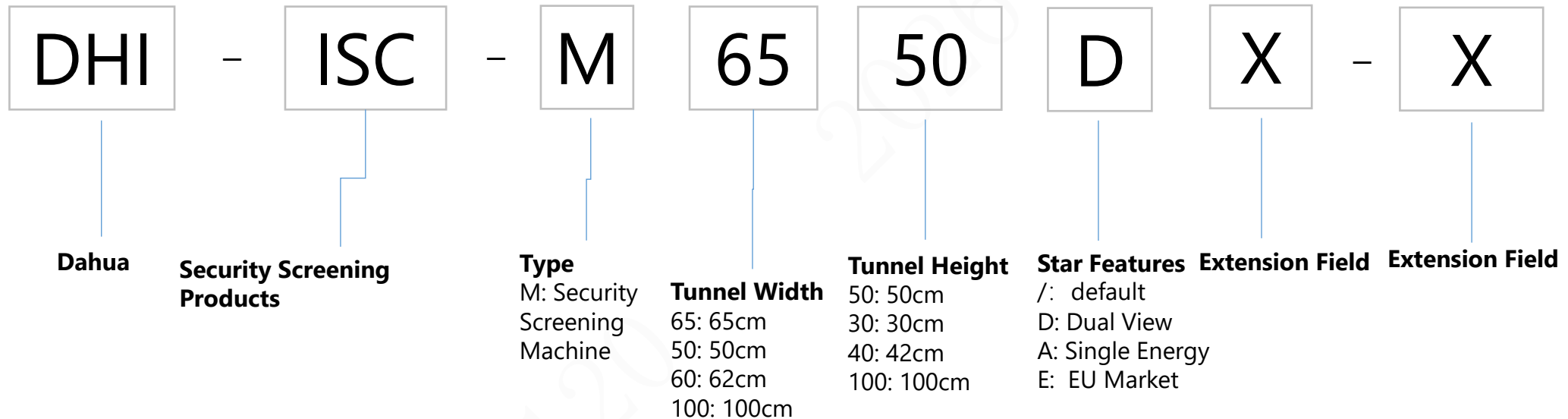
Microphone



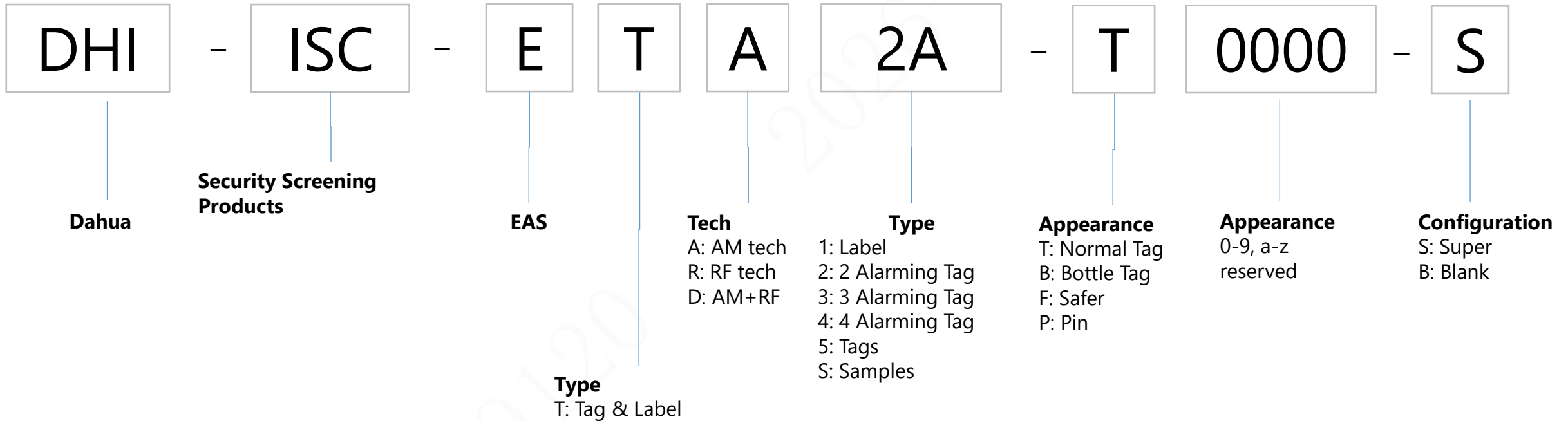
Metal Detector



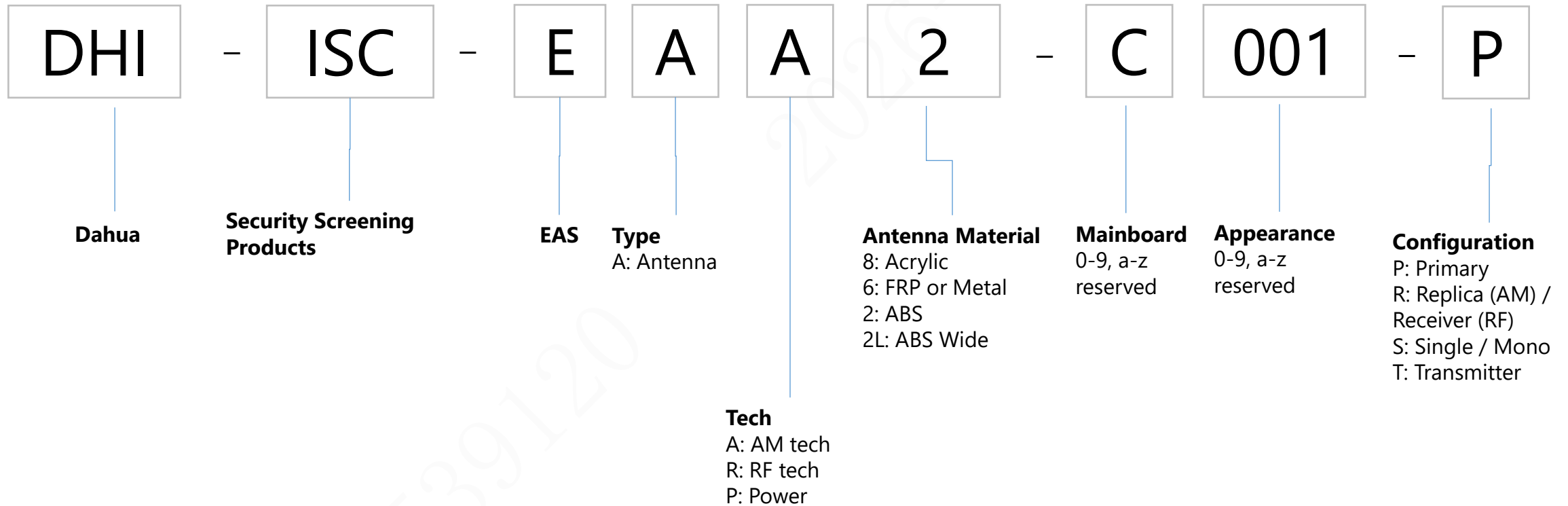
Baggage & Parcel Screening



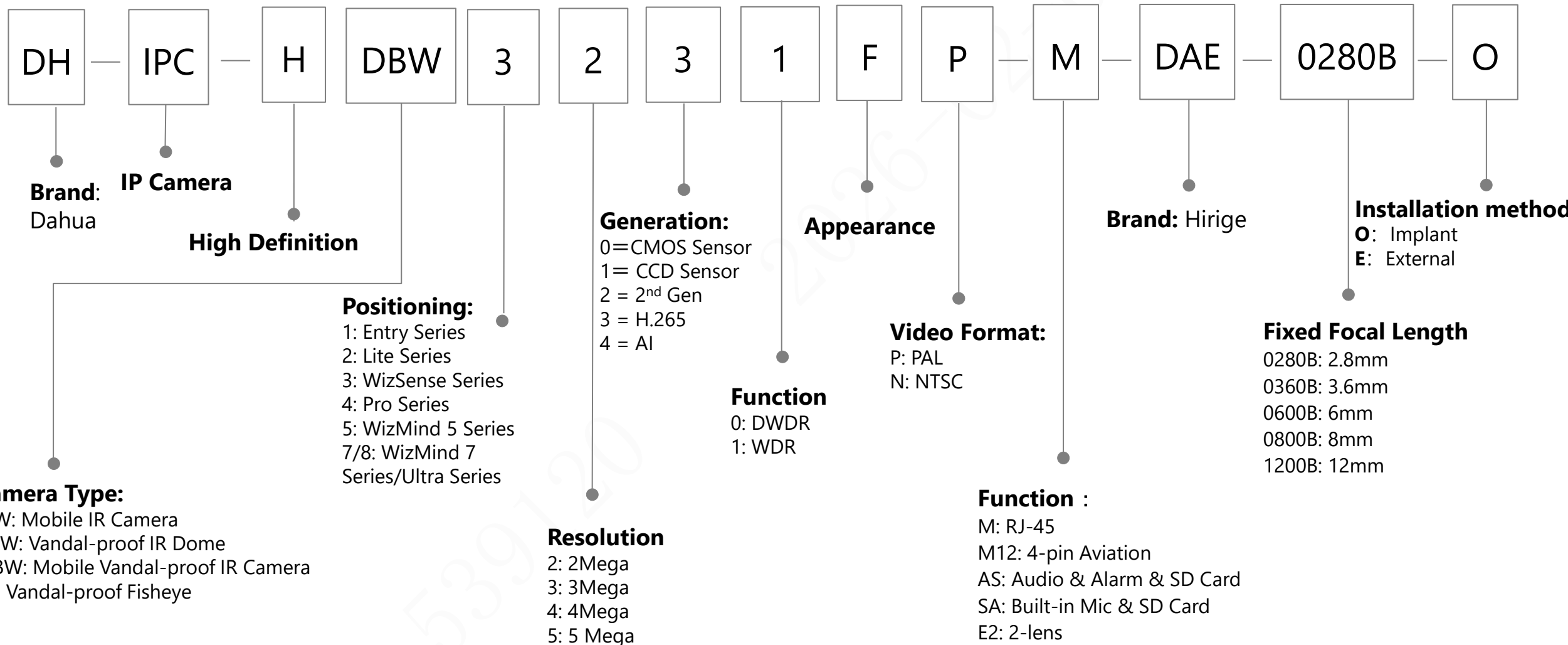
EAS Labels & Tags



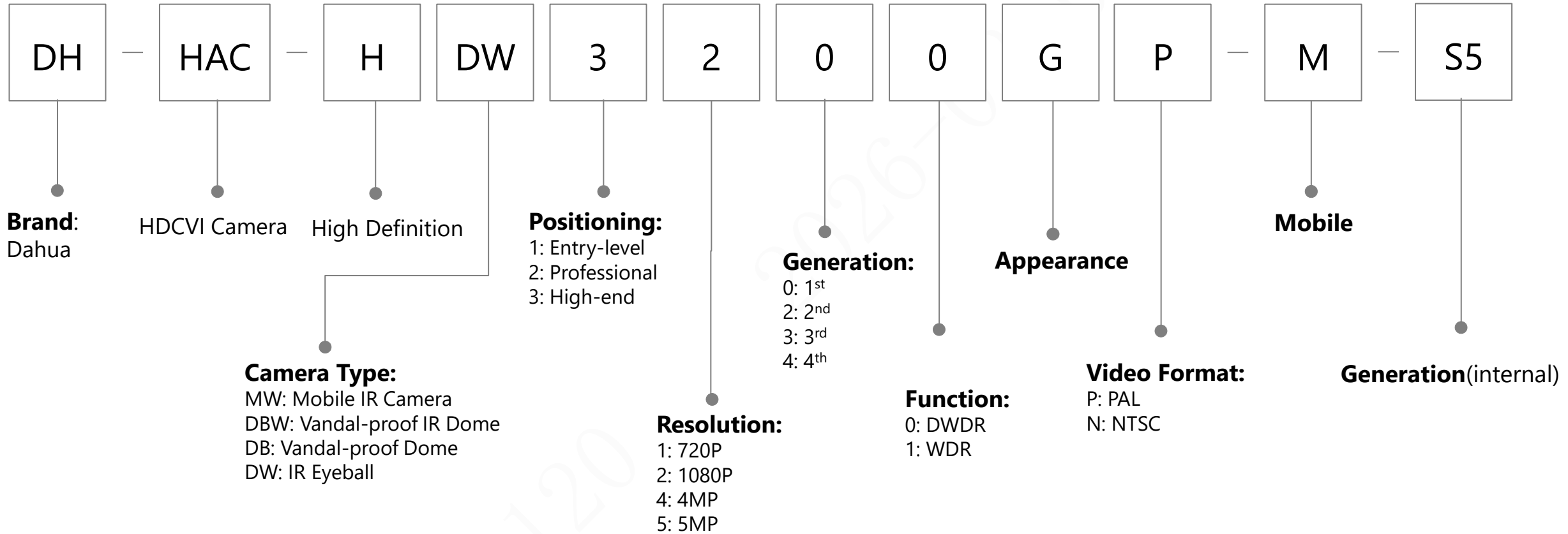
EAS antenna



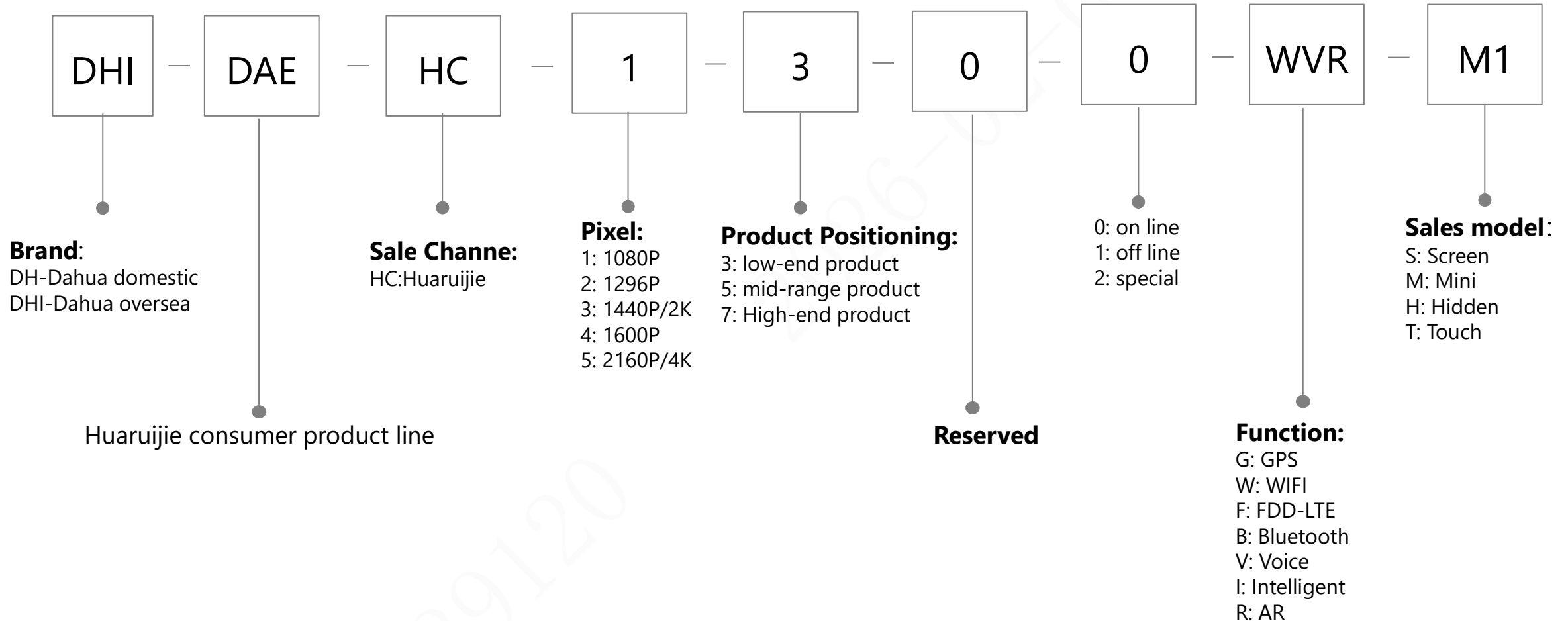
Mobile IPC



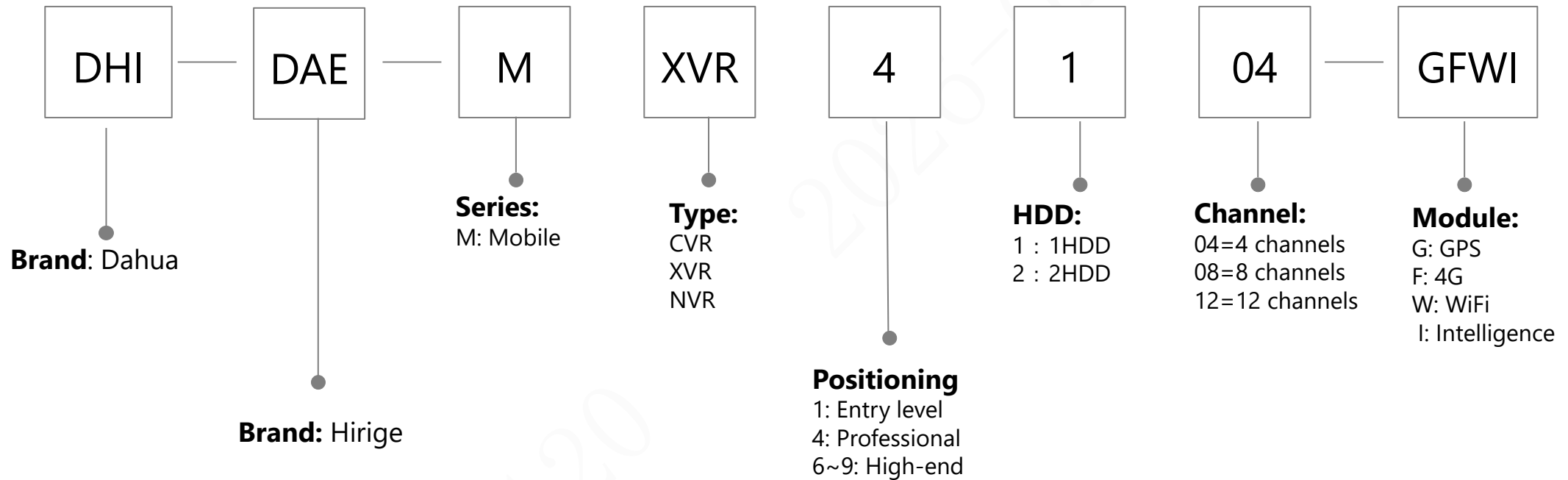
Mobile HDCVI Camera



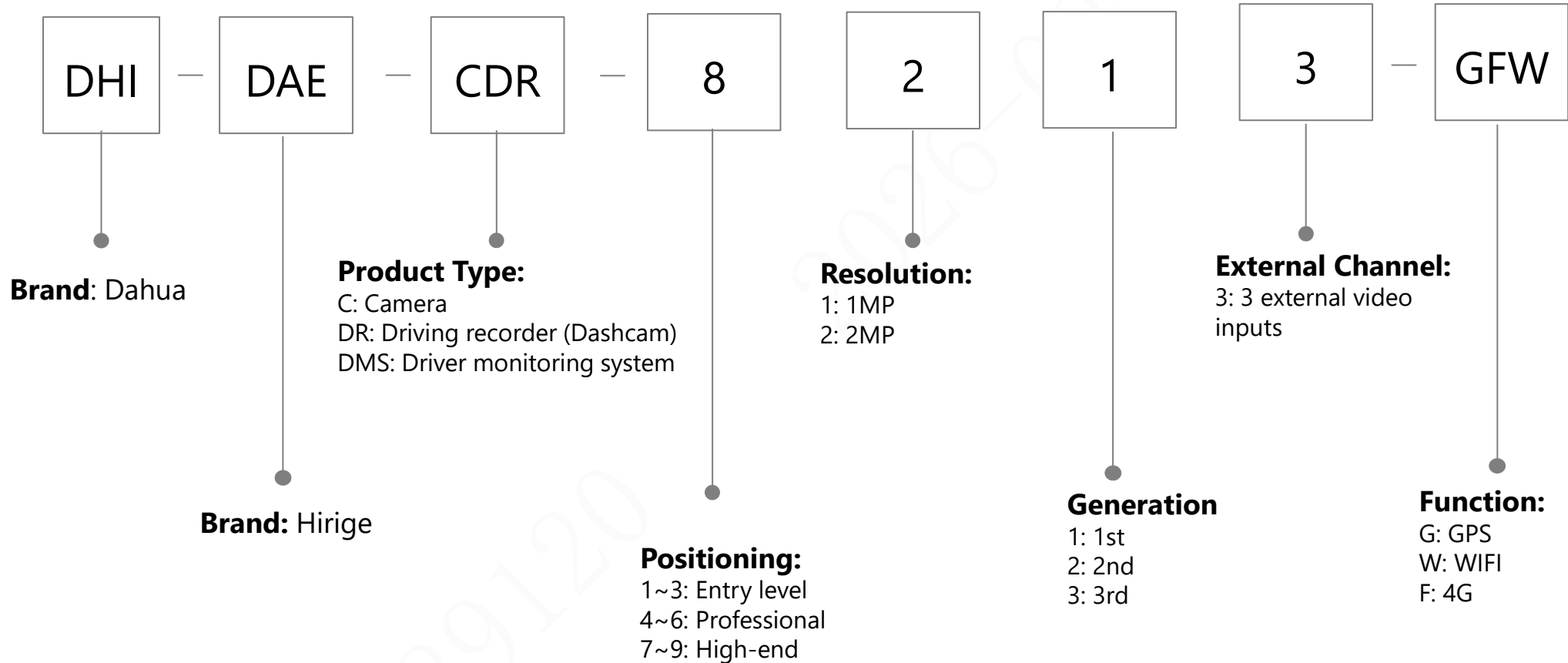
Dash Camera



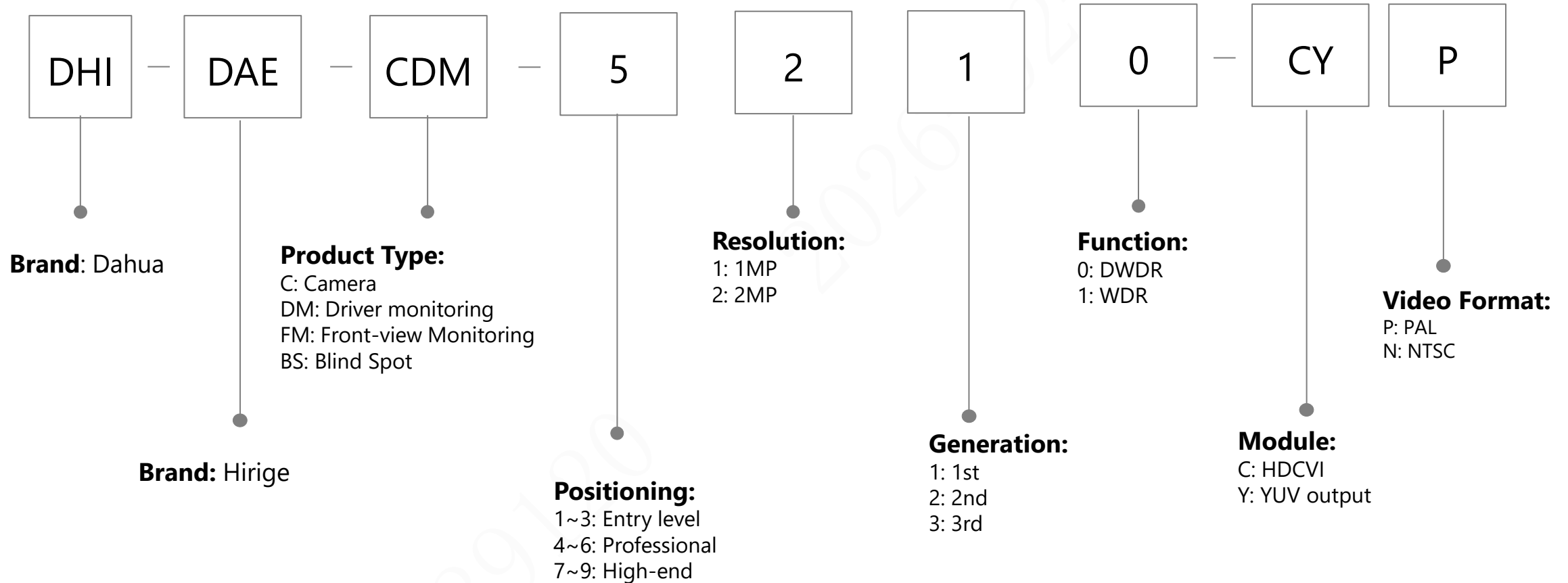
Mobile DVR/NVR



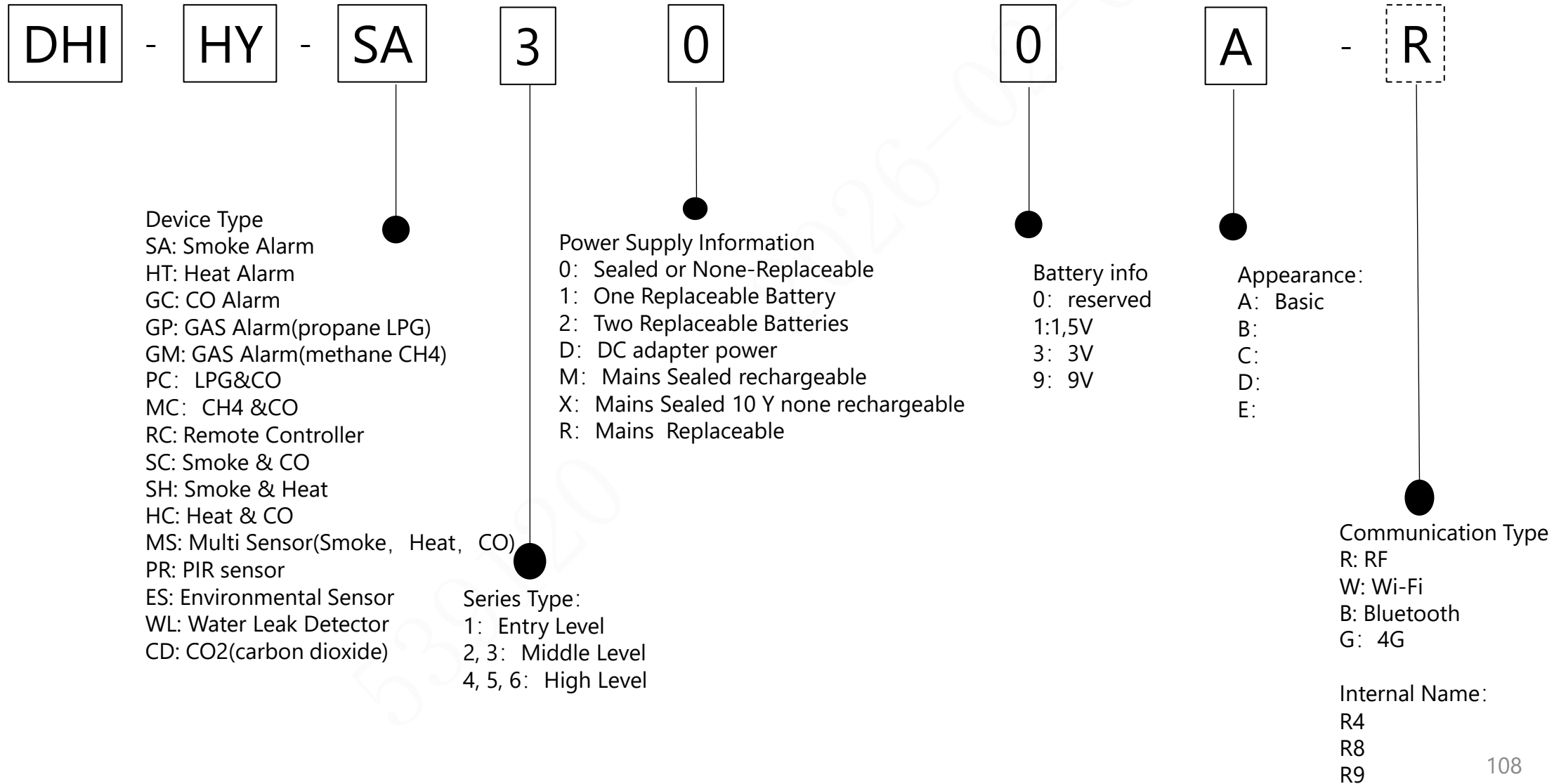
Mobile Active Safety Camera (1/2)



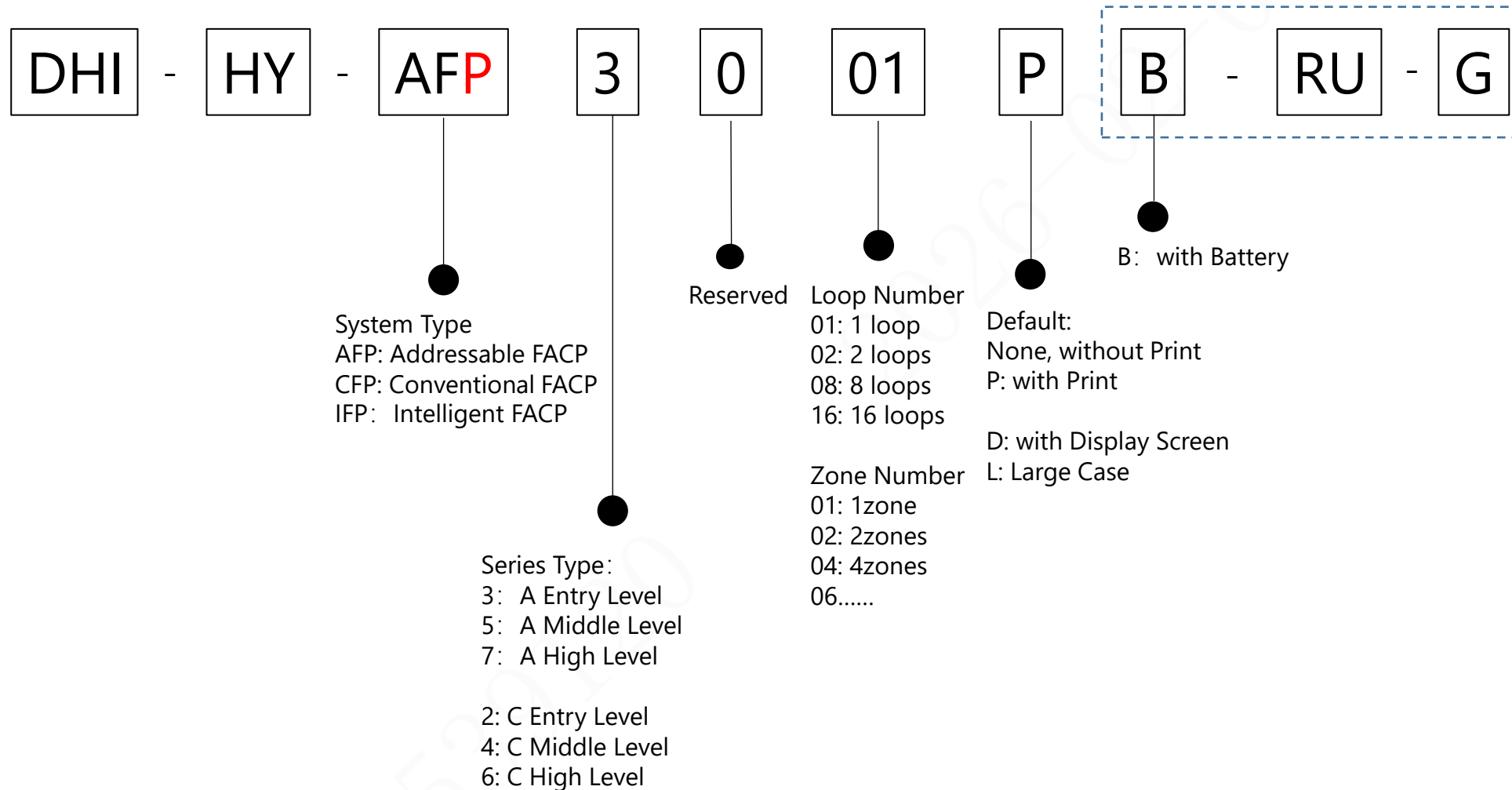
Mobile Active Safety Camera (2/2)



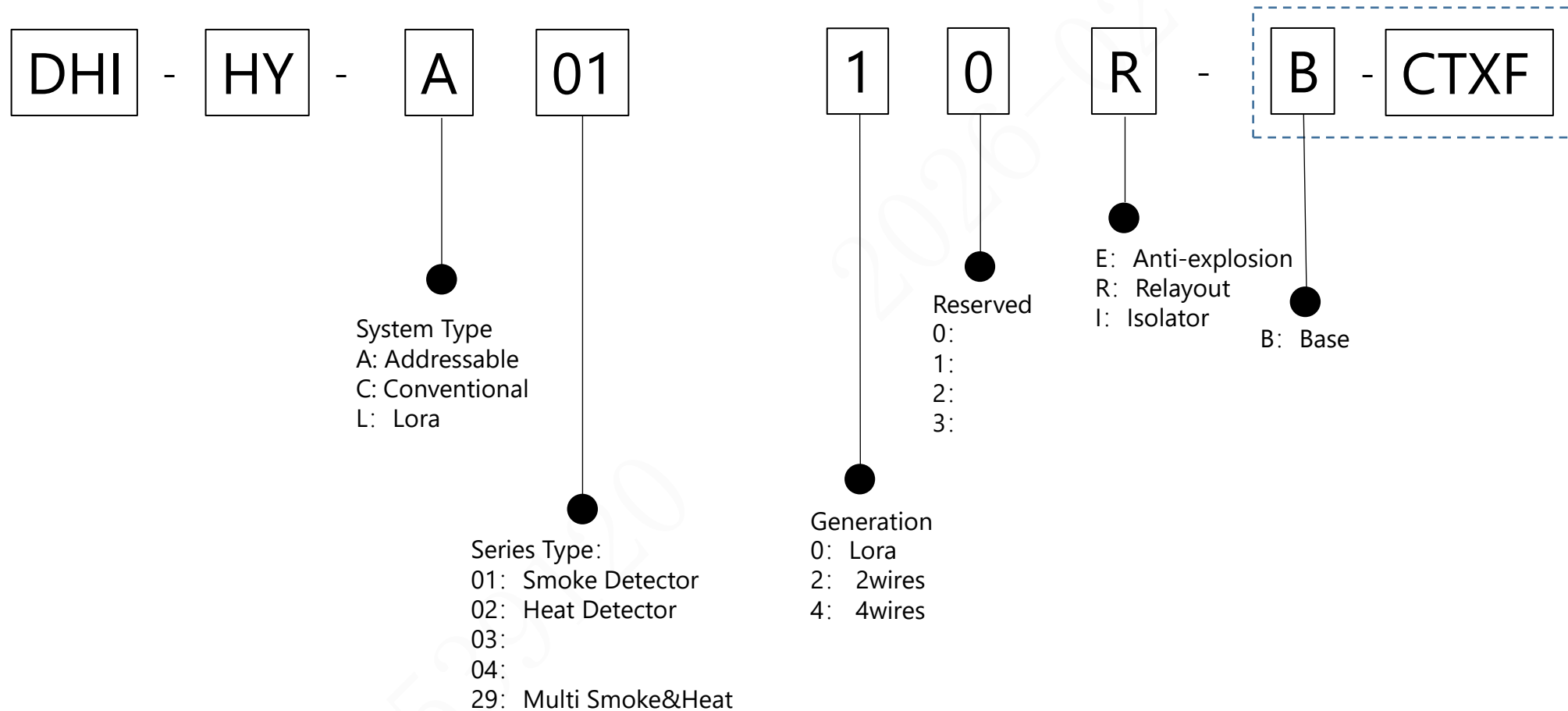
Residential Fire Alarm Series(New Gen)



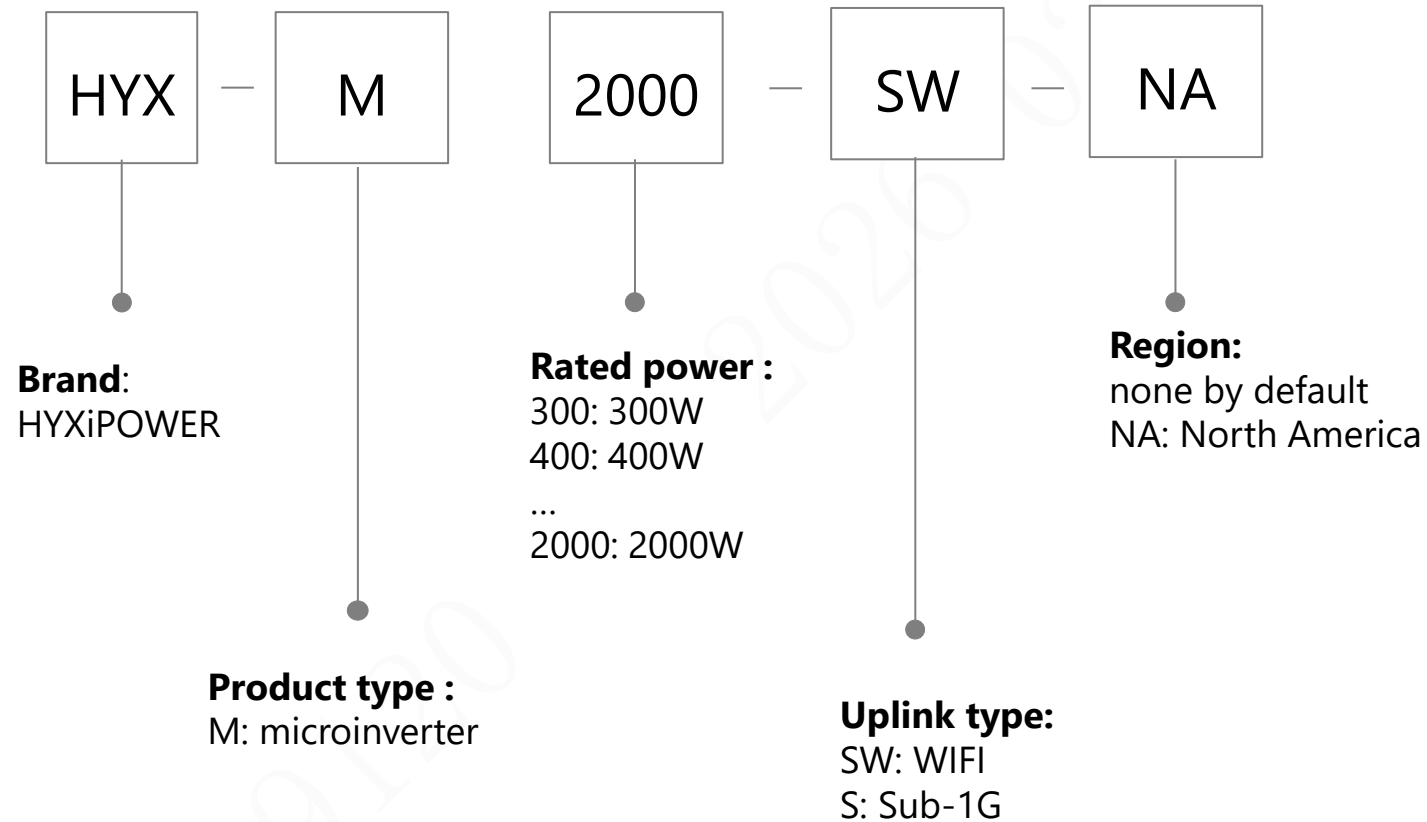
Commercial Fire Alarm Series (New Gen)



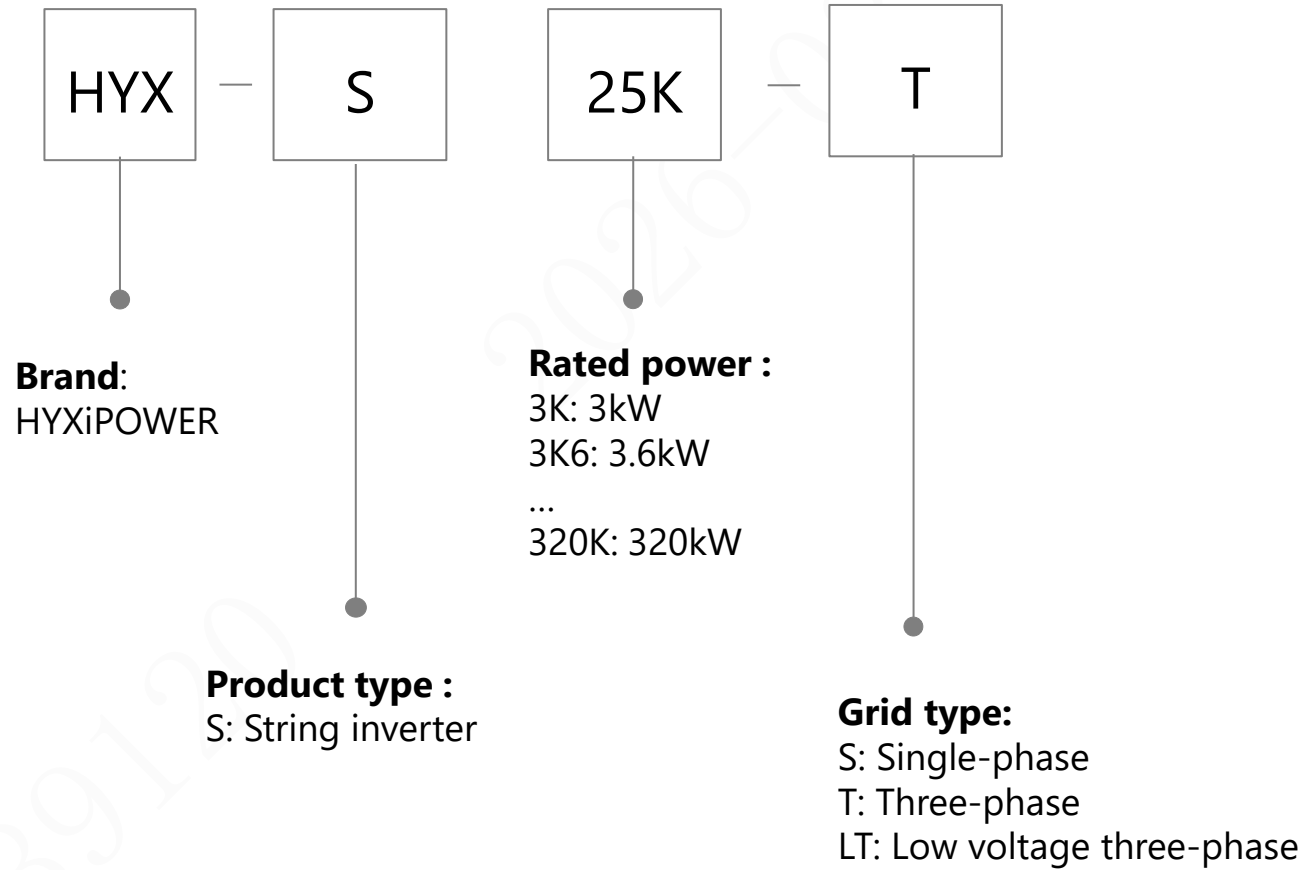
Commercial Fire Alarm Series (New Gen)



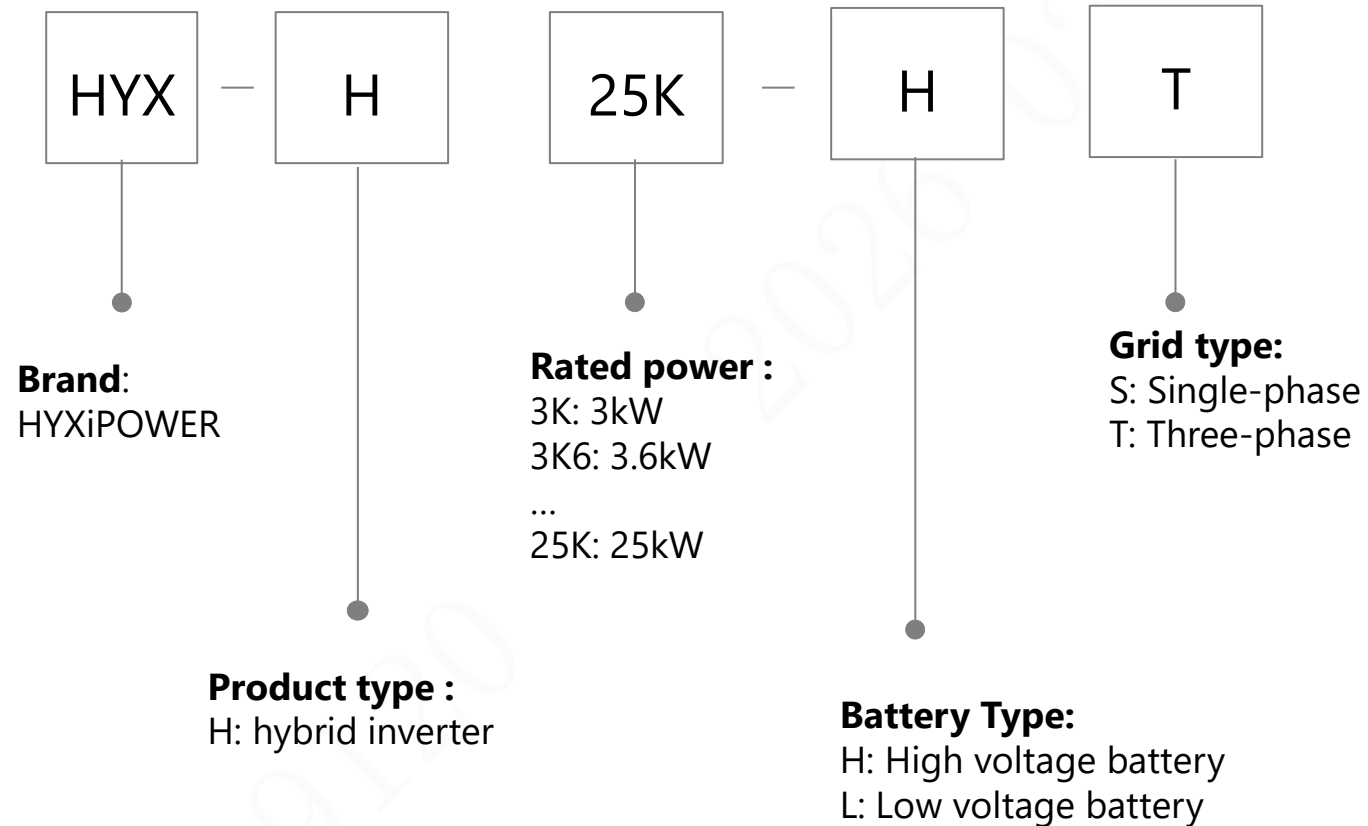
Microinverter



String Inverter



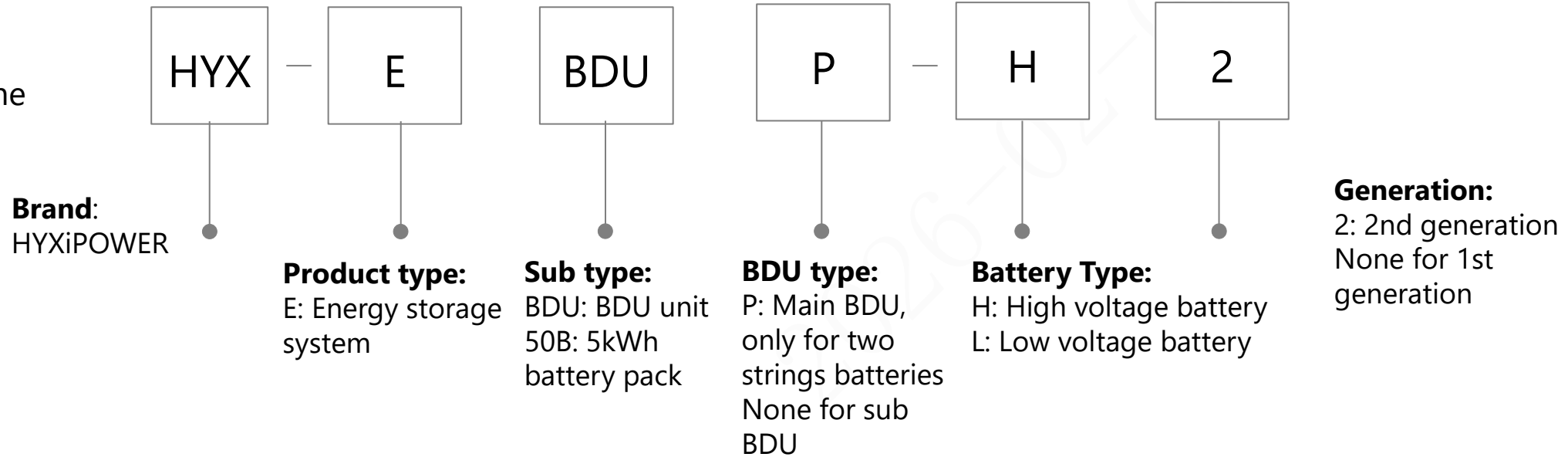
Hybrid Inverter



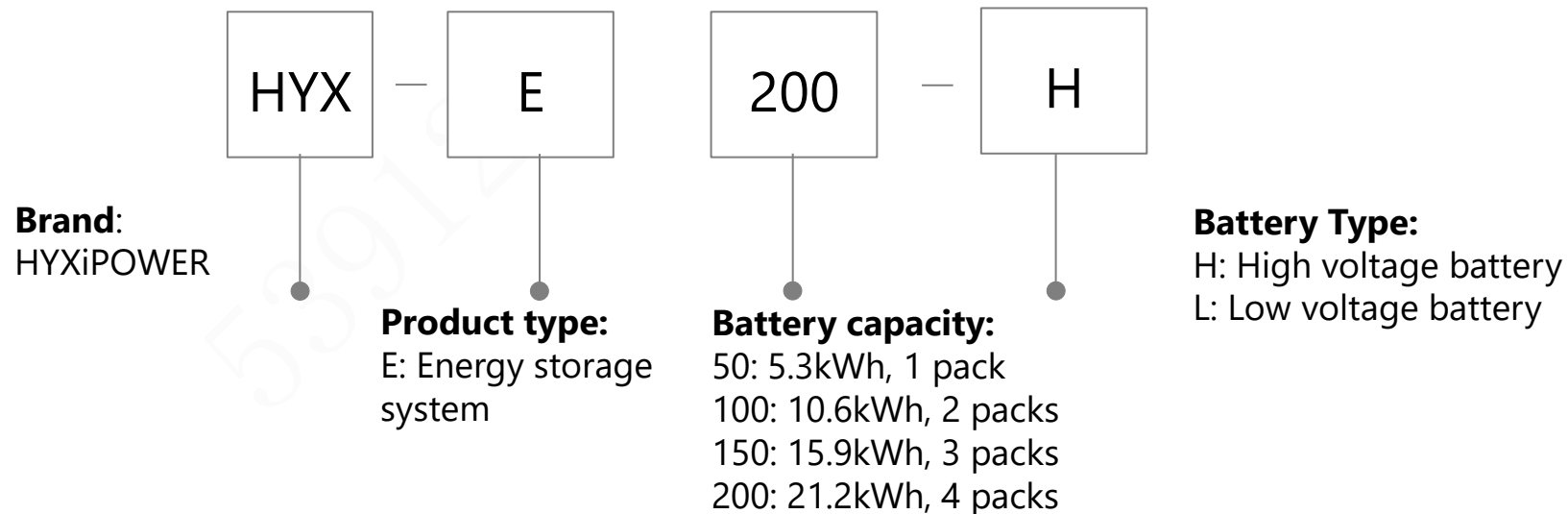
Residential Battery



Model Name



System Name



C&I ESS



ESS cabinet

HYX

—

EL

232

P2

—

DC

Brand:
HYXiPOWER

Product type :
E: Energy storage system
L: Liquid Cooling
F: Forced Air Cooling

ESS capacity :
215: 215kWh
232: 232kWh
372: 372kWh

Charge rate:
P2: Use 2h to charge full
P1: Use 1h to charge full

Output Type:
DC: DC Output, none by default, AC output
M: MPPT
S: STS

Outdoor battery cabinet

HYX

—

BOA

215

Brand:
HYXiPOWER

Product type :
B: Battery
O: Outdoor cabinet
A: Air cooling pack

ESS capacity :
215: 215kWh

C&I ESS

Outdoor battery cabinet

HYX

—

BOA

215

Brand:
HYXiPOWER

Product type :
B: Battery
O: Outdoor cabinet
A: Air cooling pack

ESS capacity :
215: 215kWh